

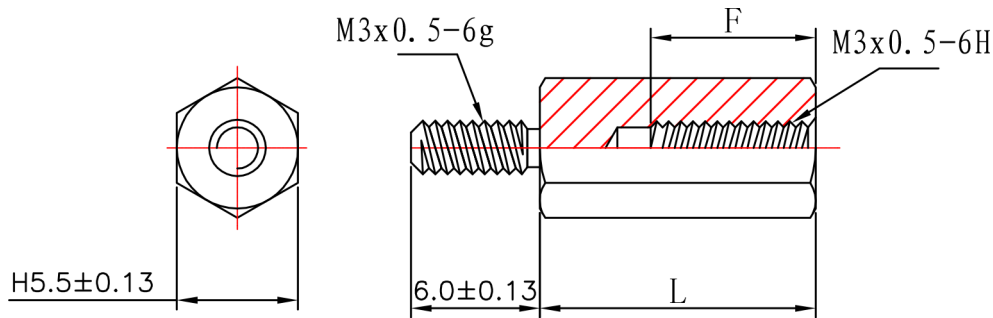
Hex Male-Female M3 Standoff **multicomp** PRO



Specifications

Material : Brass.
Heat Treatment : None.
Finish : Nickel Plated.

**RoHS
Compliant**



Dimensions : Millimetres

Part Number Table

Description	L	F	Part Number
Hex Male-Female M3 Standoff, Steel, 5mm	5 ±0.13	2.5Min	MP008205
Hex Male-Female M3 Standoff, Steel, 6mm	6 ±0.13	3.5Min	MP008206
Hex Male-Female M3 Standoff, Steel, 7mm	7 ±0.13	4.5Min	MP008207
Hex Male-Female M3 Standoff, Steel, 8mm	8 ±0.13	5Min	MP008208
Hex Male-Female M3 Standoff, Steel, 10mm	10 ±0.13	6.5Min	MP008209
Hex Male-Female M3 Standoff, Steel, 12mm	12 ±0.13	7Min	MP008210
Hex Male-Female M3 Standoff, Steel, 14mm	14 ±0.13		MP008211
Hex Male-Female M3 Standoff, Steel, 15mm	15 ±0.13		MP008212
Hex Male-Female M3 Standoff, Steel, 18mm	18 ±0.13		MP008213
Hex Male-Female M3 Standoff, Steel, 20mm	20 ±0.13		MP008214
Hex Male-Female M3 Standoff, Steel, 25mm	25 ±0.13		MP008215
Hex Male-Female M3 Standoff, Steel, 28mm	28 ±0.13		MP008216
Hex Male-Female M3 Standoff, Steel, 30mm	30 ±0.13		MP008217
Hex Male-Female M3 Standoff, Steel, 35mm	35 ±0.13		MP008218
Hex Male-Female M3 Standoff, Steel, 38mm	38 ±0.13		MP008219
Hex Male-Female M3 Standoff, Steel, 40mm	40 ±0.13		MP008220
Hex Male-Female M3 Standoff, Steel, 45mm	45 ±0.13		MP008221
Hex Male-Female M3 Standoff, Steel, 50mm	50 ±0.13		MP008222
Hex Male-Female M3 Standoff, Steel, 60mm	60 ±0.13		MP008223

Important Notice : This data sheet and its contents (the "Information") belong to the members of the AVNET group of companies (the "Group") or are licensed to it. No licence is granted for the use of it other than for information purposes in connection with the products to which it relates. No licence of any intellectual property rights is granted. The Information is subject to change without notice and replaces all data sheets previously supplied. The Information supplied is believed to be accurate but the Group assumes no responsibility for its accuracy or completeness, any error in or omission from it or for any use made of it. Users of this data sheet should check for themselves the Information and the suitability of the products for their purpose and not make any assumptions based on information included or omitted. Liability for loss or damage resulting from any reliance on the Information or use of it (including liability resulting from negligence or where the Group was aware of the possibility of such loss or damage arising) is excluded. This will not operate to limit or restrict the Group's liability for death or personal injury resulting from its negligence. Multicomp Pro is the registered trademark of Premier Farnell Limited 2019.

Newark.com/multicomp-pro
Farnell.com/multicomp-pro
Element14.com/multicomp-pro

multicomp PRO