

2203859-4 ✓ ACTIVE

AMP | AMPSEAL 16

TE Internal #: 2203859-4

AMPSEAL 16, Housing for Female Terminals, Wire-to-Wire, 24 Position, 7.5mm Centerline, Sealable, Black, Wire & Cable, 25A Contact Current Rating (Max)

[View on TE.com >](#)



Connectors > Automotive Connectors > Connector Housings



Connector & Housing Type: **Housing for Female Terminals**

Mating Pin Diameter: **2.37 mm**

Connector System: **Wire-to-Wire**

Number of Positions: **24**

Centerline (Pitch): **7.5 mm**

## Features

### Product Type Features

Connector & Housing Type	Housing for Female Terminals
Connector System	Wire-to-Wire
Sealable	Yes
Hybrid Connector	Yes
Primary Locking Feature	Integrated in Housing
Connector & Contact Terminates To	Wire & Cable

### Configuration Features

Blank Cavity Position	0
Number of Positions	24
Number of Rows	4

### Electrical Characteristics

Nominal Voltage Architecture	24 V
------------------------------	------

### Body Features

Cable Exit Angle	180
------------------	-----



Body Material	PBT
Primary Product Color	Black
Connector Code	D
<b>Contact Features</b>	
Mating Pin Diameter	2.37 mm
Contact Current Rating (Max)	25 A
<b>Mechanical Attachment</b>	
Mounting Feature	Without
Terminal Position Assurance	Yes
Strain Relief	Add By Accessory
Mating Alignment Type	Polarized
<b>Housing Features</b>	
Centerline (Pitch)	7.5 mm
<b>Dimensions</b>	
Product Width	48.09 mm
Product Length	72.7 mm
Product Height	43.5 mm
Row-to-Row Spacing	4.7 mm
<b>Usage Conditions</b>	
Operating Temperature (Max)	125 °C
Operating Temperature Range	-40 – 125 °C, -40 – 125 °C
<b>Operation/Application</b>	
Circuit Application	Power & Signal
<b>Industry Standards</b>	
Degree of Protection	IP6K9K
UL Flammability Rating	UL 94HB
<b>Packaging Features</b>	
Packaging Quantity	80
Packaging Method	Box & Tray
<b>Other</b>	
Serviceable	No



Connector Position Assurance Capable

Yes

### Product Compliance

[For compliance documentation, visit the product page on TE.com>](#)

EU RoHS Directive 2011/65/EU	Compliant
EU ELV Directive 2000/53/EC	Compliant
China RoHS 2 Directive MIIT Order No 32, 2016	No Restricted Materials Above Threshold
EU REACH Regulation (EC) No. 1907/2006	Current ECHA Candidate List: JUL 2021 (219) Not Yet Reviewed
Halogen Content	Not Yet Reviewed for halogen content
Solder Process Capability	Not reviewed for solder process capability

#### Product Compliance Disclaimer

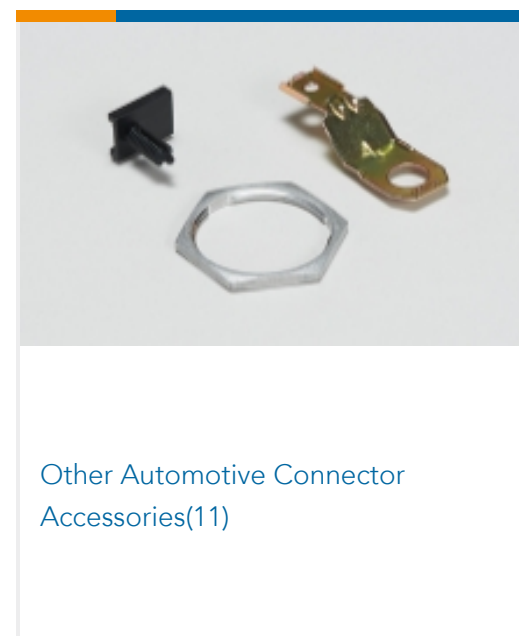
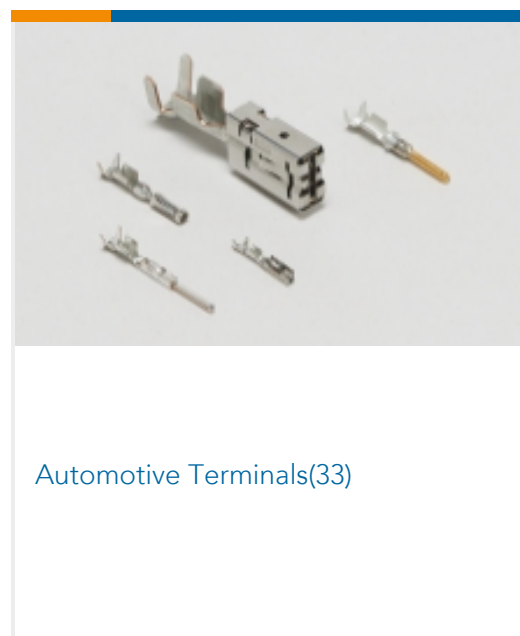
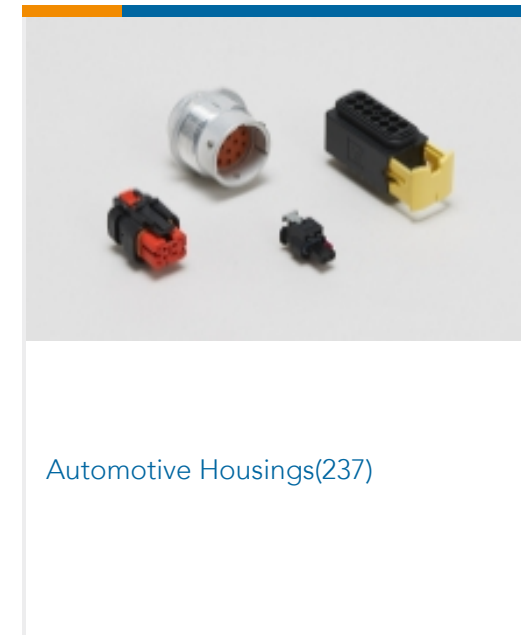
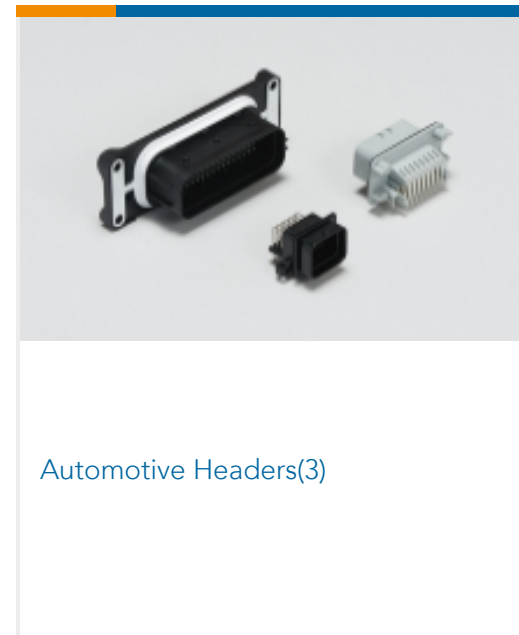
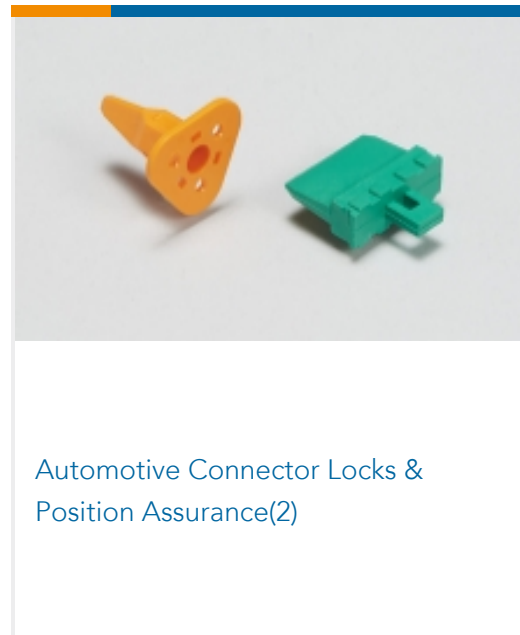
This information is provided based on reasonable inquiry of our suppliers and represents our current actual knowledge based on the information they provided. This information is subject to change. The part numbers that TE has identified as EU RoHS compliant have a maximum concentration of 0.1% by weight in homogenous materials for lead, hexavalent chromium, mercury, PBB, PBDE, DBP, BBP, DEHP, DIBP, and 0.01% for cadmium, or qualify for an exemption to these limits as defined in the Annexes of Directive 2011/65/EU (RoHS2). Finished electrical and electronic equipment products will be CE marked as required by Directive 2011/65/EU. Components may not be CE marked. Additionally, the part numbers that TE has identified as EU ELV compliant have a maximum concentration of 0.1% by weight in homogenous materials for lead, hexavalent chromium, and mercury, and 0.01% for cadmium, or qualify for an exemption to these limits as defined in the Annexes of Directive 2000/53/EC (ELV). Regarding the REACH Regulations, TE's information on SVHC in articles for this part number is still based on the European Chemical Agency (ECHA) 'Guidance on requirements for substances in articles' (Version: 2, April 2011), applying the 0.1% weight on weight concentration threshold at the finished product level. TE is aware of the European Court of Justice ruling of September 10th, 2015 also known as O5A (Once An Article Always An Article) stating that, in case of 'complex object', the threshold for a SVHC must be applied to both the product as a whole and simultaneously to each of the articles forming part of its composition. TE has evaluated this ruling based on the new ECHA "Guidance on requirements for substances in articles" (June 2017, version 4.0) and will be updating its statements accordingly.

### Compatible Parts

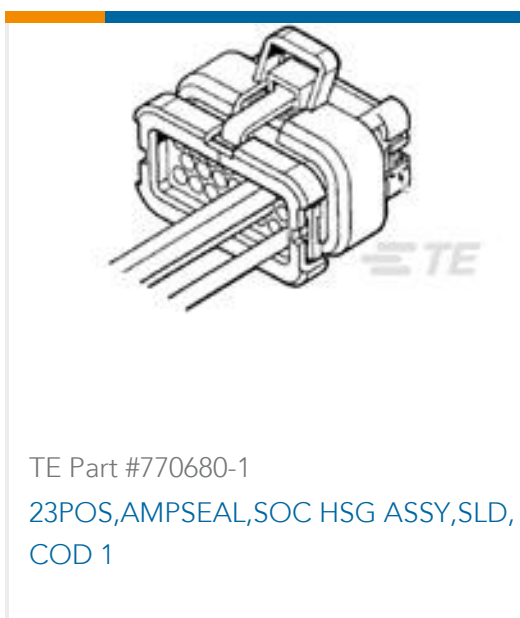
 <p>TE Part # 2203956-1 COVER,AMPSEAL 16 ML CONN, 180 DEG</p>	 <p>TE Part # 2203956-2 PIN CONN CVR,16POS,HYBRID,180 DEG</p>	 <p>TE Part # 2272307-1 COVER,AMPSEAL 16 ML CONN, 90 DEG</p>	 <p>TE Part # 2272307-2 PIN CONN CVR,16POS,HYBRID,90 DEG</p>
--	--	---	---



## Also in the Series | AMPSEAL 16



## Customers Also Bought





## Documents

### Product Drawings

[24POS, HYBRID, SOC HSG ASSY, SLD, COD D](#)

English

---

### CAD Files

[3D PDF](#)

3D

Customer View Model

[ENG\\_CVM\\_CVM\\_2203859-4\\_2.2d\\_dxf.zip](#)

English

Customer View Model

[ENG\\_CVM\\_CVM\\_2203859-4\\_2.3d\\_igs.zip](#)

English

Customer View Model

[ENG\\_CVM\\_CVM\\_2203859-4\\_2.3d\\_stp.zip](#)

English

By downloading the CAD file I accept and agree to the [Terms and Conditions](#) of use.

---

### Product Specifications

[Application Specification](#)

English