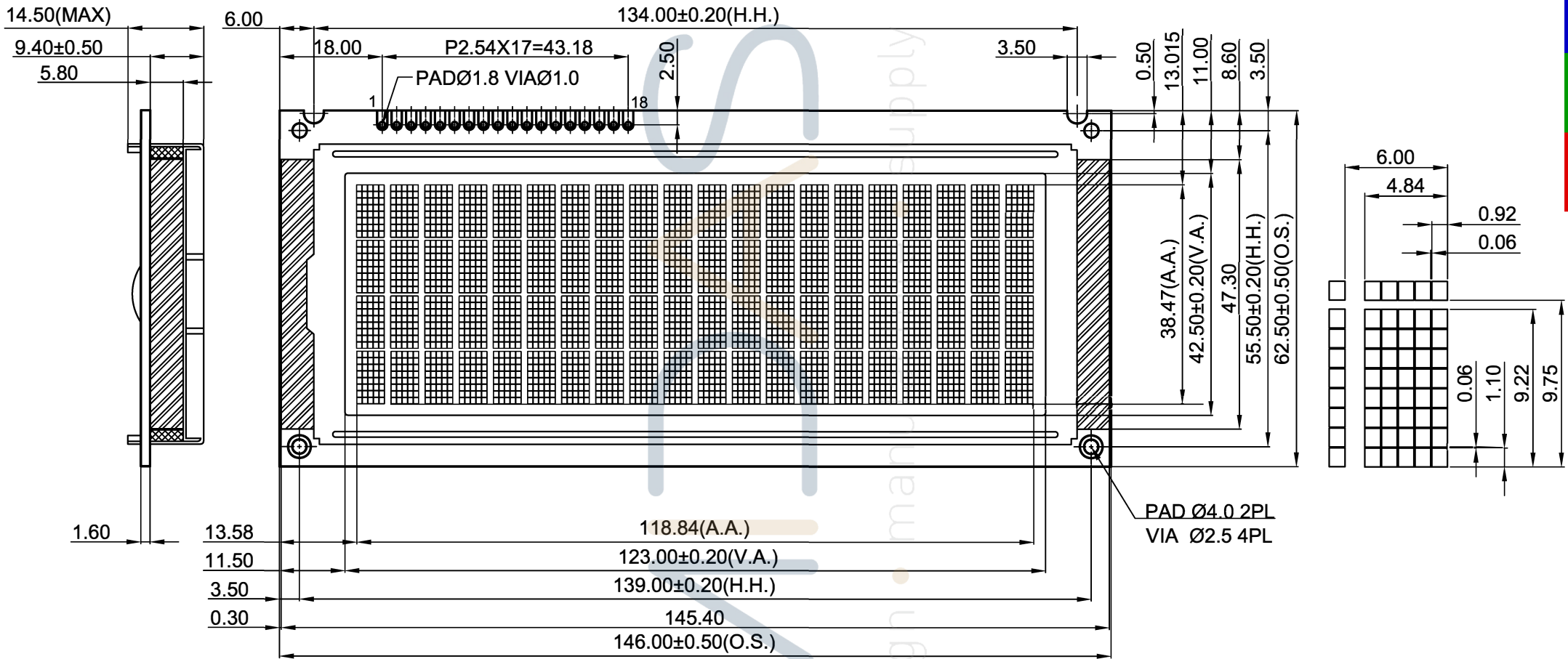



Ver	Date	Modify Contents	Issue	Confirm
A01	2021-08-13	----		



ITEMS	FEATURES	ITEMS	FEATURES	PIN	SIGNAL	PIN	SIGNAL	PIN	SIGNAL
LCD TYPE	FSTN	LIFE VERSION	Long life design	1	VSS	9	DB2	17	K(G)
DISPLAY MODE	Positive	POLARIZER	Transflective	2	VDD	10	DB3	18	K(R)
BKL TYPE	Edge Type	BKL COLOR	RGB	3	V0	11	DB4		
VIEWING	6:00 ↑	Vlcm(Vdd ~ Vss)	5.0V	4	RS	12	DB5		
DC-DC	Without	Vlcd (Vdd ~ V0)	4.5V	5	R/W	13	DB6		
OP.TEMP	-20° C ~ 70° C	Vled(LED+~LED-)	5.0V	6	E	14	DB7		
ST.TEMP	-30° C ~ 80° C	REMARK	NONE	7	DB0	15	A		
lled @ Vled	NONE			8	DB1	16	K(B)		

DRAWING	MD42008A6W-FPTLRGB	PRODUCT	MD42008A6W-FPTLRGB
QC DOC.	MD42008A6W-FPTLRGB	OEM CODE	-----
			UNIT:mm
UNDECLARED TOLERANCE:			ROHS <input checked="" type="checkbox"/>
		.X ±0.20	.XX ±0.10
			PAGE:1/1