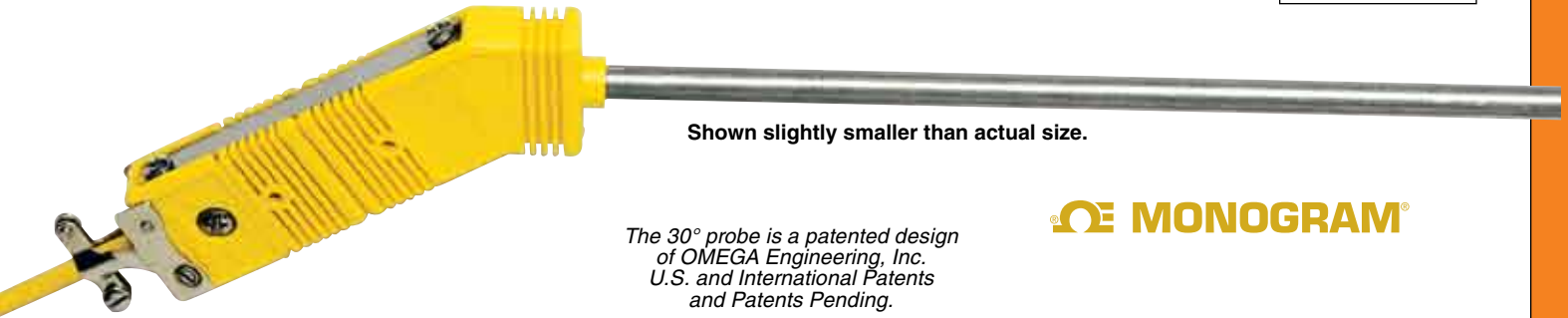


Low Noise Thermocouple Probes with High Temperature Standard Size Connectors

MEETS OR EXCEEDS SPECIAL LIMITS OF ERROR (SLE) AND EN 60584-2: Tolerance Class 1

Available as **SUPER OMEGACLAD™ XL THERMOCOUPLE PROBES**

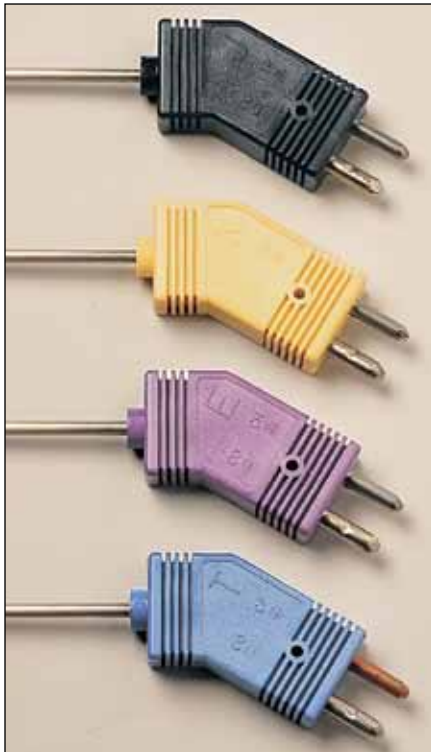
OMEGACLAD™ Factory CAL AVAILABLE MADE IN USA



Shown slightly smaller than actual size.

The 30° probe is a patented design of OMEGA Engineering, Inc. U.S. and International Patents and Patents Pending.

Ω MONOGRAM®



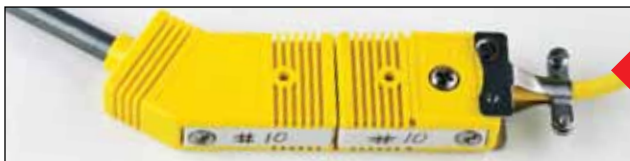
- ✓ Connector Temperature Ratings: 260°C (500°F)
- ✓ Environmentally Friendly Cadmium-Free Liquid Crystal Polymer Material
- ✓ Ground Strap Connection Provides Protection Against Electrical Noise
- ✓ Ground Strap Provides Additional Mechanical Rigidity
- ✓ Write-on Area for Easy Identification
- ✓ Compatible with Standard Style Probes and Connectors
- ✓ Cal-5 Available

The Write-On connector is a U.S. patented design of OMEGA Engineering, Inc.

The OMEGA® low noise thermocouple probes and connectors maintain an electrical connection from the sheath of the probe, through the connectors, all the way to your instrumentation. This system assures high accuracy measurements, providing protection against electrical noise. The external strap maintains the electrical connection of the ground wire, and also strengthens the mechanical connection between the two connectors. The female connector features a handy write-on area, for easy identification.

Replacement Write-On Windows

Model No.	Description
WCP-L	GST connector face, 5 pack
WCP-GST	Connector/probe side, 5 pack

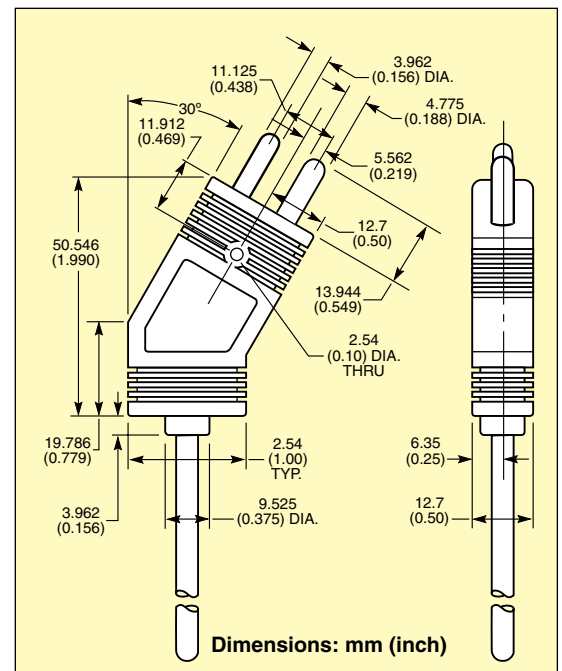


Mating connector, clamps and locking clip.

For applications not requiring the external ground strap, plastic write-on windows are included with each probe and connector to provide additional Write-On areas. Note: Windows cannot be used concurrently with ground straps. Mating connector 2 cable clamp provided free with all models.



Ground straps sold separately. Twisted/shielded wire is suggested for Low Noise Probes.



Low Noise High Temperature Probes

Standard Size Connectors

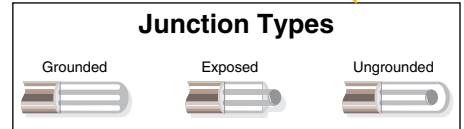
Standard Dimensions



ANSI color code shown
To order IEC color code visit omega.com



MEETS OR EXCEEDS SPECIAL LIMITS OF ERROR (SLE) AND EN 60584-2: Tolerance Class 1



Cal-5 Available
Popular Size Probes
12", 18" and 24" Lengths†

Also Available with 310, 321 SS, or Super OMEGACLAD® XL Sheath! See ordering suggestions below.

ALL MODELS AVAILABLE FOR FAST DELIVERY!

To Order Visit omega.com/hgjqin for Pricing and Details

Thermocouple Alloy	Sheath Dia. inches	Model No. 12" Length	Model No. 18" Length	Model No. 24" Length
IRON-CONSTANTAN Inconel Sheath J	1/16	HGJQIN-116(*)-12	HGJQIN-116(*)-18	HGJQIN-116(*)-24
	1/8	HGJQIN-18(*)-12	HGJQIN-18(*)-18	HGJQIN-18(*)-24
	3/16	HGJQIN-316(*)-12	HGJQIN-316(*)-18	HGJQIN-316(*)-24
	1/4	HGJQIN-14(*)-12	HGJQIN-14(*)-18	HGJQIN-14(*)-24
IRON-CONSTANTAN 304 SS Sheath J	1/16	HGJQSS-116(*)-12	HGJQSS-116(*)-18	HGJQSS-116(*)-24
	1/8	HGJQSS-18(*)-12	HGJQSS-18(*)-18	HGJQSS-18(*)-24
	3/16	HGJQSS-316(*)-12	HGJQSS-316(*)-18	HGJQSS-316(*)-24
	1/4	HGJQSS-14(*)-12	HGJQSS-14(*)-18	HGJQSS-14(*)-24
CHROMEQA®-ALOMEGA® Inconel Sheath K	1/16	HGKQIN-116(*)-12	HGKQIN-116(*)-18	HGKQIN-116(*)-24
	1/8	HGKQIN-18(*)-12	HGKQIN-18(*)-18	HGKQIN-18(*)-24
	3/16	HGKQIN-316(*)-12	HGKQIN-316(*)-18	HGKQIN-316(*)-24
	1/4	HGKQIN-14(*)-12	HGKQIN-14(*)-18	HGKQIN-14(*)-24
CHROMEQA®-ALOMEGA® 304 SS Sheath K	1/16	HGKQSS-116(*)-12	HGKQSS-116(*)-18	HGKQSS-116(*)-24
	1/8	HGKQSS-18(*)-12	HGKQSS-18(*)-18	HGKQSS-18(*)-24
	3/16	HGKQSS-316(*)-12	HGKQSS-316(*)-18	HGKQSS-316(*)-24
	1/4	HGKQSS-14(*)-12	HGKQSS-14(*)-18	HGKQSS-14(*)-24
CHROMEQA®-CONSTANTAN Inconel Sheath E	1/16	HGEQIN-116(*)-12	HGEQIN-116(*)-18	HGEQIN-116(*)-24
	1/8	HGEQIN-18(*)-12	HGEQIN-18(*)-18	HGEQIN-18(*)-24
	3/16	HGEQIN-316(*)-12	HGEQIN-316(*)-18	HGEQIN-316(*)-24
	1/4	HGEQIN-14(*)-12	HGEQIN-14(*)-18	HGEQIN-14(*)-24
CHROMEQA®-CONSTANTAN 304 SS Sheath E	1/16	HGEQSS-116(*)-12	HGEQSS-116(*)-18	HGEQSS-116(*)-24
	1/8	HGEQSS-18(*)-12	HGEQSS-18(*)-18	HGEQSS-18(*)-24
	3/16	HGEQSS-316(*)-12	HGEQSS-316(*)-18	HGEQSS-316(*)-24
	1/4	HGEQSS-14(*)-12	HGEQSS-14(*)-18	HGEQSS-14(*)-24
COPPER-CONSTANTAN Inconel Sheath T	1/16	HGTQIN-116(*)-12	HGTQIN-116(*)-18	HGTQIN-116(*)-24
	1/8	HGTQIN-18(*)-12	HGTQIN-18(*)-18	HGTQIN-18(*)-24
	3/16	HGTQIN-316(*)-12	HGTQIN-316(*)-18	HGTQIN-316(*)-24
	1/4	HGTQIN-14(*)-12	HGTQIN-14(*)-18	HGTQIN-14(*)-24
COPPER-CONSTANTAN 304 SS Sheath T	1/16	HGTQSS-116(*)-12	HGTQSS-116(*)-18	HGTQSS-116(*)-24
	1/8	HGTQSS-18(*)-12	HGTQSS-18(*)-18	HGTQSS-18(*)-24
	3/16	HGTQSS-316(*)-12	HGTQSS-316(*)-18	HGTQSS-316(*)-24
	1/4	HGTQSS-14(*)-12*	HGTQSS-14(*)-18	HGTQSS-14(*)-24

*Specify junction type: "G" (Grounded), "E" (Exposed), or "U" (Ungrounded). No additional charge for lengths from 2 to 12".
 †Other lengths available, IEC Colors available, consult Sales Department. Each probe supplied with mating connector, cable clamp, ground strap and locking clip. Extra ground straps, **GS-GST-10**, for additional cost.
 To Order with 321 SS Sheath, change 'SS' in model number to '321SS', no additional charge; Example: **HGKQ321SS-316G-12**.
 To order Super OMEGACLAD®, change 'IN' to 'XL'.
Ordering Example: HGKQSS-116U-12, quick disconnect probe, type K, 304 SS sheath, 1/16" OD, ungrounded junction, 12" length.

Low Noise High Temperature Probes Standard Size Connectors

Metric Dimensions



ANSI color code shown
To order IEC color code visit omega.com



MAXIMUM PERFORMANCE SHEATHING ELIMINATES HIGH TEMPERATURE DRIFT
Available in Type K or Type N. Consult Sales for Specifications and Pricing

MEETS OR EXCEEDS SPECIAL LIMITS OF ERROR (SLE) AND EN 60584-2: Tolerance Class 1

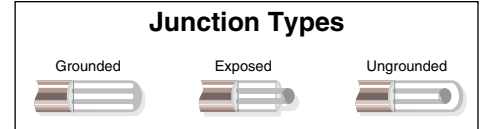
High Temperature Mating Connector Included!

The foolproof connector! Side and interior screws have combination heads, so you can use either a flathead or Phillips screwdriver. And, it's captive, so it won't fall out.

PATENTED
Covered by U.S. and International patents and pending applications

Shown close to actual size

Low Noise, Standard Connectors Featured in Section G



Mating connector and cable clamp included with all low noise probes.

Cal-5 Available

Popular Size Probes
300, 450, and 600 mm Lengths†

Also Available with 310, 321 SS, or Super OMEGACLAD® XL Sheath!
See ordering suggestions below.



To Order Visit omega.com/hgjqin for Pricing and Details

Thermocouple Alloy	Sheath Dia. mm	Model No. 300 mm Length	Model No. 450 mm Length	Model No. 600 mm Length
IRON-CONSTANTAN Inconel Sheath J	1.5	HGJQIN-M15(*)-300	HGJQIN-M15(*)-450	HGJQIN-M15(*)-600
	3.0	HGJQIN-M30(*)-300	HGJQIN-M30(*)-450	HGJQIN-M30(*)-600
	4.5	HGJQIN-M45(*)-300	HGJQIN-M45(*)-450	HGJQIN-M45(*)-600
	6.0	HGJQIN-M60(*)-300	HGJQIN-M60(*)-450	HGJQIN-M60(*)-600
IRON-CONSTANTAN 304 SS Sheath J	1.5	HGJQSS-M15(*)-300	HGJQSS-M15(*)-450	HGJQSS-M15(*)-600
	3.0	HGJQSS-M30(*)-300	HGJQSS-M30(*)-450	HGJQSS-M30(*)-600
	4.5	HGJQSS-M45(*)-300	HGJQSS-M45(*)-450	HGJQSS-M45(*)-600
	6.0	HGJQSS-M60(*)-300	HGJQSS-M60(*)-450	HGJQSS-M60(*)-600
CHROMEQA®-ALOMEGA® Inconel Sheath K	1.5	HGKQIN-M15(*)-300	HGKQIN-M15(*)-450	HGKQIN-M15(*)-600
	3.0	HGKQIN-M30(*)-300	HGKQIN-M30(*)-450	HGKQIN-M30(*)-600
	4.5	HGKQIN-M45(*)-300	HGKQIN-M45(*)-450	HGKQIN-M45(*)-600
	6.0	HGKQIN-M60(*)-300	HGKQIN-M60(*)-450	HGKQIN-M60(*)-600
CHROMEQA®-ALOMEGA® 304 SS Sheath K	1.5	HGKQSS-M15(*)-300	HGKQSS-M15(*)-450	HGKQSS-M15(*)-600
	3.0	HGKQSS-M30(*)-300	HGKQSS-M30(*)-450	HGKQSS-M30(*)-600
	4.5	HGKQSS-M45(*)-300	HGKQSS-M45(*)-450	HGKQSS-M45(*)-600
	6.0	HGKQSS-M60(*)-300	HGKQSS-M60(*)-450	HGKQSS-M60(*)-600
CHROMEQA®-CONSTANTAN Inconel Sheath E	1.5	HGEQIN-M15(*)-300	HGEQIN-M15(*)-450	HGEQIN-M15(*)-600
	3.0	HGEQIN-M30(*)-300	HGEQIN-M30(*)-450	HGEQIN-M30(*)-600
	4.5	HGEQIN-M45(*)-300	HGEQIN-M45(*)-450	HGEQIN-M45(*)-600
	6.0	HGEQIN-M60(*)-300	HGEQIN-M60(*)-450	HGEQIN-M60(*)-600
CHROMEQA®-CONSTANTAN 304 SS Sheath E	1.5	HGEQSS-M15(*)-300	HGEQSS-M15(*)-450	HGEQSS-M15(*)-600
	3.0	HGEQSS-M30(*)-300	HGEQSS-M30(*)-450	HGEQSS-M30(*)-600
	4.5	HGEQSS-M45(*)-300	HGEQSS-M45(*)-450	HGEQSS-M45(*)-600
	6.0	HGEQSS-M60(*)-300	HGEQSS-M60(*)-450	HGEQSS-M60(*)-600
COPPER-CONSTANTAN Inconel Sheath T	1.5	HGTQIN-M15(*)-300	HGTQIN-M15(*)-450	HGTQIN-M15(*)-600
	3.0	HGTQIN-M30(*)-300	HGTQIN-M30(*)-450	HGTQIN-M30(*)-600
	4.5	HGTQIN-M45(*)-300	HGTQIN-M45(*)-450	HGTQIN-M45(*)-600
	6.0	HGTQIN-M60(*)-300	HGTQIN-M60(*)-450	HGTQIN-M60(*)-600
COPPER-CONSTANTAN 304 SS Sheath T	1.5	HGTQSS-M15(*)-300	HGTQSS-M15(*)-450	HGTQSS-M15(*)-600
	3.0	HGTQSS-M30(*)-300	HGTQSS-M30(*)-450	HGTQSS-M30(*)-600
	4.5	HGTQSS-M45(*)-300	HGTQSS-M45(*)-450	HGTQSS-M45(*)-600
	6.0	HGTQSS-M60(*)-300	HGTQSS-M60(*)-450	HGTQSS-M60(*)-600

*Specify junction type: "G" (Grounded), "E" (Exposed), or "U" (Ungrounded). No add'l charge for lengths from 2 to 12".

†Other lengths available, IEC Colors available, consult Sales Department. Each probe supplied with mating connector, cable clamp, ground strap and locking clip. Extra ground straps, **GS-GST-10**.

To order with 321 SS Sheath, change "SS" in model number to '321SS'; no additional charge; Example: **HGKQ321SS-316G-12**.

To order Super OMEGACLAD®, change 'IN' to 'XL.'

Ordering Example: **HGKQIN-M30U-300**, quick disconnect probe, Type K, Inconel sheath, 3.0 mm OD, ungrounded junction, 300 mm length.