

MEDIUM WEIGHT OIL IMMERSION HEATER

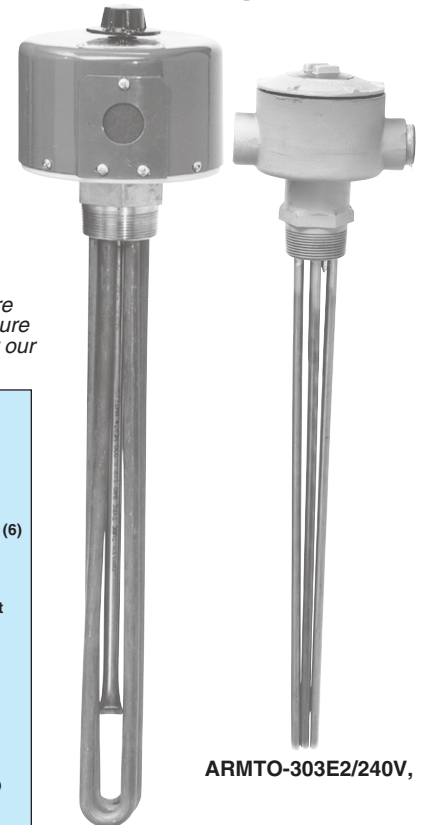
With Integral Thermostat—2½ NPT Steel Fitting

- ✓ 3 to 9kW
- ✓ Rugged 3 Element Steel Construction
- ✓ Low Watt Density, 15 W/in²
- ✓ Built-in Thermostat, Three Temperature Ranges Available
- ✓ 240 and 480V, 3 Phase

ARMTO-3 Series
Starts at



Note: The integral thermostat functions as a temperature control only. This is not a fail safe device. An approved pressure and/or temperature control should be used with these heaters to assure safe operation. See the Temperature Section for our selection of control devices.



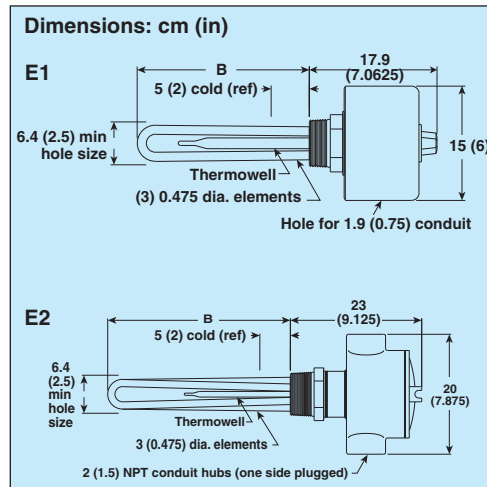
ARMTO-303/240, ARMTO-303E2/240V,
Both models shown smaller than actual size.

SPECIFICATIONS

Wattage: 3 to 9 kW
Power: 240, and 480V, 3 phase
Watt Density: 15 W/in²
Sheath: 0.475" diameter steel
Screw Plug: 2½ NPT Steel
Thermostat: Bulb and capillary type, three temperature ranges available (see To Order table below)
Enclosure: E1 General Purpose, NEMA-1 rated, or E2 moisture resistant/explosion resistant enclosure²

CAUTION AND WARNING!

Fire and electrical shock may result if products are used improperly or installed or used by non-qualified personnel. See inside back cover for additional warning.



MOST POPULAR MODELS HIGHLIGHTED!

To Order (Specify Model Number)

kW	W/in ²	No Htg Elem.	Dim. B cm (in)	T3 Temp. Range (200 to 550°F)		T2 Temp. Range (60 to 250°F)		T1 Temp. Range (0 to 100°F)		Wt. kg (lb)
				Model No.		Model No.		Model No.		
ARMTO-3 with E1 General Purpose Enclosure¹										
3	15	3	62 (24½)	ARMTO-303/*		ARMTO-303T2/*		ARMTO-303T1/*		5 (11)
4	15	3	82 (32¾)	ARMTO-304/*		ARMTO-304T2/*		ARMTO-304T1/*		5 (12)
5	15	3	101 (39¾)	ARMTO-305/240		ARMTO-305T2/240		ARMTO-305T1/240		6 (13)
6	15	3	121 (47¾)	ARMTO-306/*		ARMTO-306T2/*		ARMTO-306T1/*		6 (14)
7.5	15	3	145 (57)	ARMTO-307/240		ARMTO-307T2/240		ARMTO-307T1/240		6 (15)
9	15	3	171 (67¾)	ARMTO-309/240		ARMTO-309T2/240		ARMTO-309T1/240		7 (16)
ARMTO-3 Series with Moisture Resistant/Explosion Resistant Enclosure^{2†}										
3	15	3	62 (24½)	ARMTO-303E2/*		ARMTO-303E2T2/*		ARMTO-303E2T1/*		7 (16)
4	15	3	82 (32¾)	ARMTO-304E2/*		ARMTO-304E2T2/*		ARMTO-304E2T1/*		8 (17)
5	15	3	101 (39¾)	ARMTO-305E2/240		ARMTO-305E2T2/240		ARMTO-305E2T1/240		8 (18)
6	15	3	121 (47¾)	ARMTO-306E2/*		ARMTO-306E2T2/*		ARMTO-306E2T1/*		9 (19)
7.5	15	3	145 (57)	ARMTO-307E2/240		ARMTO-307E2T2/240		ARMTO-307E2T1/240		9 (20)
9	15	3	171 (67¾)	ARMTO-309E2/240		ARMTO-309E2T2/240		ARMTO-309E2T1/240		10 (21)

* Insert "208" for 208 Vac, "240" for 240 Vac, or "480" for 480 Vac. Model numbers containing 240 V are only available in that voltage.

¹ Heaters with General Purpose Enclosures are UL Listed with T1 or T2 Temps and CSA Certified with T1, T2 or T3 Temps.

² Heaters with Moisture Resistant/Explosion Resistant Enclosures are CSA NRTL/C Certified with T1, T2 or T3 Temps.

† **Caution:** Explosion resistant type E2 construction refers to heater design features which provide explosion resisting containment of electrical wiring according to National Electric Code. Abnormal application or use of heaters which in excessive temperatures can create hazardous conditions which can lead to fire Consult Section Z for data on allowable watt densities for more viscous materials.

Ordering Examples: ARMTO-303/240, 3 kW heater with a thermostat range of 200 to 550°F powered by 240 Vac, ARMTO-309T2/240, 9 kW thermostat range, 60 to 250°F powered by 240 Vac,



UNITED STATES

www.omega.com
1-800-TC-OMEGA
Stamford, CT.

CANADA

www.omega.ca
Laval(Quebec)
1-800-TC-OMEGA

GERMANY

www.omega.de
Deckenpfronn, Germany
0800-8266342

UNITED KINGDOM

www.omega.co.uk
Manchester, England
0800-488-488

FRANCE

www.omega.fr
Guyancourt, France
088-466-342

CZECH REPUBLIC

www.omegaeng.cz
Karviná, Czech Republic
596-311-899

BENELUX

www.omega.nl
Amstelveen, NL
0800-099-33-44



More than 100,000 Products Available!

• Temperature

Calibrators, Connectors, General Test and Measurement Instruments, Glass Bulb Thermometers, Handheld Instruments for Temperature Measurement, Ice Point References, Indicating Labels, Crayons, Cements and Lacquers, Infrared Temperature Measurement Instruments, Recorders Relative Humidity Measurement Instruments, RTD Probes, Elements and Assemblies, Temperature & Process Meters, Timers and Counters, Temperature and Process Controllers and Power Switching Devices, Thermistor Elements, Probes and Assemblies, Thermocouples Thermowells and Head and Well Assemblies, Transmitters, Wire

• Flow and Level

Air Velocity Indicators, Doppler Flowmeters, Level Measurement, Magnetic Flowmeters, Mass Flowmeters, Pitot Tubes, Pumps, Rotameters, Turbine and Paddle Wheel Flowmeters, Ultrasonic Flowmeters, Valves, Variable Area Flowmeters, Vortex Shedding Flowmeters

• pH and Conductivity

Conductivity Instrumentation, Dissolved Oxygen Instrumentation, Environmental Instrumentation, pH Electrodes and Instruments, Water and Soil Analysis Instrumentation

• Data Acquisition

Auto-Dialers and Alarm Monitoring Systems, Communication Products and Converters, Data Acquisition and Analysis Software, Data Loggers Plug-in Cards, Signal Conditioners, USB, RS232, RS485 and Parallel Port Data Acquisition Systems, Wireless Transmitters and Receivers

• Pressure, Strain and Force

Displacement Transducers, Dynamic Measurement Force Sensors, Instrumentation for Pressure and Strain Measurements, Load Cells, Pressure Gauges, Pressure Reference Section, Pressure Switches, Pressure Transducers, Proximity Transducers, Regulators, Strain Gages, Torque Transducers, Valves

• Heaters

Band Heaters, Cartridge Heaters, Circulation Heaters, Comfort Heaters, Controllers, Meters and Switching Devices, Flexible Heaters, General Test and Measurement Instruments, Heater Hook-up Wire, Heating Cable Systems, Immersion Heaters, Process Air and Duct, Heaters, Radiant Heaters, Strip Heaters, Tubular Heaters