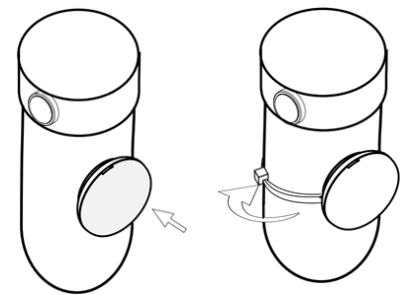


FlexAlert Timer

Universal, small-form countdown timer



Adhesive hook and loop or cable-tie mount

The FlexAlert is a lightweight, small-form timer that can be used in a range of applications where a countdown and reminder notification is required. The timer can be easily attached in the location required and it will begin to count down the pre-set duration. When the time has been reached it will produce an audible alert until turned off. The FlexAlert's flexibility and versatility make it an ideal unit for domestic and industrial uses, including service intervals and equipment checks as well as reviews and component changes. In every case, FlexAlert ensures they are made on time, every time.

Key Features

- Compact and lightweight design - only 40mm [1.6"] diameter and 16g [0.6oz].
- Cable tie and hook and loop fixtures included.
- Factory customizable alert time 1-732 days (2 years).
- Replaceable CR2032 battery.
- Customization available including countdown, duration and branding (white labelled products).

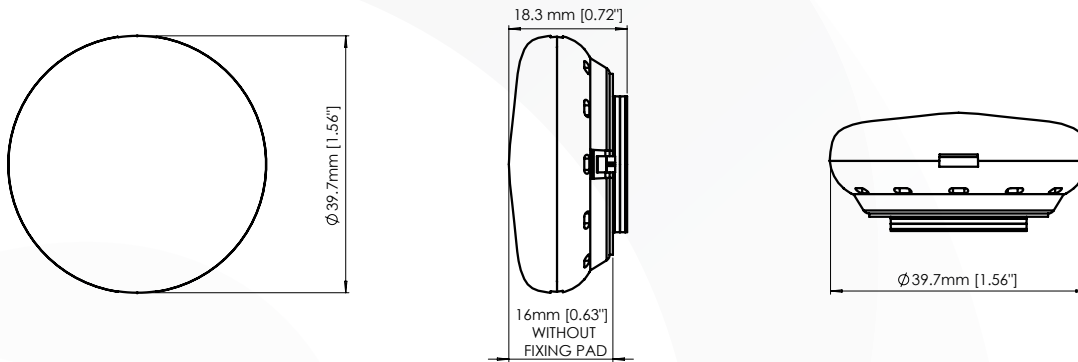
Benefits

- Simple to use - no design changes or integration required - just attach and go.
- Non-tamper - time is pre-set. Requires screwdriver to access battery reset.
- Ultra-flexible - can be used for almost any application
- Unobtrusive - sleek, slim-line design.
- Versatile - attach where needed. Can be used for almost any application with interval notification requirements.

Specifications

Alert	
Type	Audible beep
Duration	Minimum 60 days until reset
Amplitude	>50 dB A
Resettable	Yes
Battery	
Type	CR2032 (user replaceable)
Life	>1,000 Days
Mechanical	
Mounting / Fixings	Supplied with both hook and loop adhesive pad and 200mm [7.9"] cable tie (suitable to attach to 40mm [1.6"] diameter pipe)
Colour	White
Weight	16g [0.6oz]
Dimensions	39.7mm x 18.3mm [1.56" x 0.72"]
Packed Weight	28g [1oz]
Design Life	10 Years (typical)
Environmental	
IP Rating	IP30
Operating Temperature	-10 to +60° C [+14 to +140° F]
Storage Temperature	-20 to +70° C [-4 to +158° F]

Diagrams



Part Numbers

FLEXALERT-030	FlexAlert 30 day/1 month timer
FLEXALERT-060	FlexAlert 60 day/2 month timer
FLEXALERT-182	FlexAlert 6 month timer
FLEXALERT-365	FlexAlert 1 year timer
FLEXALERT-730	FlexAlert 2 year timer
FLEXALERT-XXX	FlexAlert custom duration timer
FLEXALERT-DEMO	FlexAlert demo version (8 second timer)

