

Data sheet

**Sensor/actuator connection line M12, A-coded, 5.0 m,
AWG 22/42, M12 plug straight - M12 jack straight,
unshielded, 4-pole, PUR, black**

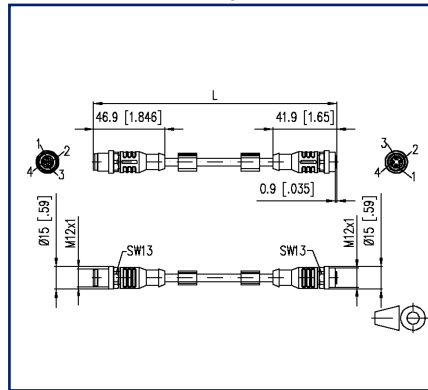
Page 1/6

P/N
142MCA12050
EAN 4251394648026
2021/08/18
Version: D

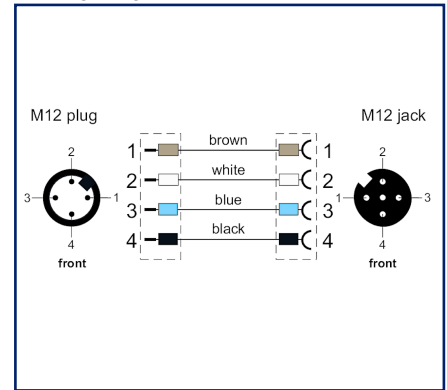
Illustrations



Dimensional drawing



Wiring diagram



See enlarged drawings at the end of document

Product specification

Flexible, silicone- and halogen-free control cable with high mechanical strength. The cable is resistant to chemicals, hydrolysis and microbes. The drag-chain application is possible at a bending radius of minimum 10xd. Due to its weld-field immunity, the cable is very well suited for the flexible application in robotics, machine tools and metal-cutting production. The cables meet the UL and CSA (UL10493/20549; cULus) requirements. Special features: flame retardant, seawater resistant, recyclable, LABS free, RoHs compliant, acid and alkali resistant, ozone resistant, UV resistant, hydrolysis proof, drag chain resistant, torsion resistant, welding sparks resistant, halogen free, silicone free, oil resistant

- unshielded M12 sensor/actuator cable
- coding: 4-pole, A-coded acc. to IEC 61076-2-101
- side 1: M12 plug straight
- side 2: M12 jack straight
- outer diameter cable sheath: (4.7 ±0.2) mm
- material: PUR
- wire colors: 1 BN, 2 WH, 3 BU, 4 BK
- wire cross-section/stranded copper wire construction: 4x0.34 mm², 42x0.10 mm
- torsion: +/-360°/m, >= 2 million cycles
- drag chain capable: max. 5m/s², 5 million cycles
- nominal voltage cable: <= 300 V

P | Cabling

Data sheet

Page 2/6

Sensor/actuator connection line M12, A-coded, 5.0 m, AWG 22/42, M12 plug straight - M12 jack straight, unshielded, 4-pole, PUR, black

P/N
142MCA12050
EAN 4251394648026
2021/08/18
Version: D

Technical Data

General Data

Fields of application

Industrial Ethernet

Design

Sensor/actuator connection cable M12, A-coded

Shielding

unshielded

Transmission technology

Copper

Color coding fiber/ wire(s)

brown, white, blue, black

Color

black

Dimensions

Dimension - Interface 1 (L x W x H)

46.9 mm x 15 mm x 15 mm

Dimension - Interface 1 (L x W x H)

1.846 in. x 0.591 in. x 0.591 in.

Dimension - Interface 2 (L x W x H)

41.9 mm x 15 mm x 15 mm

Dimension - Interface 2 (L x W x H)

1.65 in. x 0.591 in. x 0.591 in.

Cable length (m)

5 m

Cable length (ft)

16.4 ft

Labeling option

identification label carrier

Connections/interfaces

Connector technology interface 1

M12-plug

Connector technology interface 2

M12-jack

Coding interface 1

A-coded

Coding interface 2

A-coded

Number of positions/contacts interface 1

4

Number of positions/contacts interface 2

4

Termination data, stranded wire (min. - max.)

Conductor cross section, stranded wire

0.34 mm²

Stranded wire structure

42x0.10mm

Cable sheath diameter (min. - max.)

Cable sheath diameter

4.7 mm

Cable sheath diameter

0.185 in.

P | Cabling

Data sheet

Page 3/6

Sensor/actuator connection line M12, A-coded, 5.0 m, AWG 22/42, M12 plug straight - M12 jack straight, unshielded, 4-pole, PUR, black

P/N
142MCA12050
EAN 4251394648026
2021/08/18
Version: D

Technical Data

Electrical characteristics

Current carrying capacity	4 A bei 40 °C
Rated voltage	60 V DC
Insulation resistance	min. 100 MOhm

Mechanical data

Life - Number of mating cycles	min. 100
Torsion	+/-360°/m, >= 2 million cycles
Maximum operating bending radius	47 mm
Alternating bending radius	47 mm
acceleration	5 m/s ²

Materials and material properties

Material - Conductor	Cu (copper)
Material - Conductor Insulation	polypropylene
Material - Cable jacket	PUR
Material - Body interface 1	Plastics
Material - Body interface 2	Plastics
Material - Protective housing interface 2	FPM/FKM
Material - Contact interface 1	CuSn (tin bronze)
Material - Contact interface 2	CuSn (tin bronze)
Material - Contact finish interface 1	Au (gold)
Material - Contact finish interface 2	Au (gold)
Material - Contact carriers interface 1	Plastics
Material - Contact carriers interface 2	Plastics
Material - Union nut interface 1	CuZnPb (brass)
Material - Union nut interface 2	CuZnPb (brass)
Material - Union nut finish interface 1	Ni (nickel)
Material - Union nut finish interface 2	Ni (nickel)
Flame retardancy	yes
Halogen free	yes
Silicone free	yes
Oil resistance	yes
UV-resistance	yes
rag chain suitable	yes
capable of torsion	yes
RoHS	compliant

P | Cabling

Data sheet

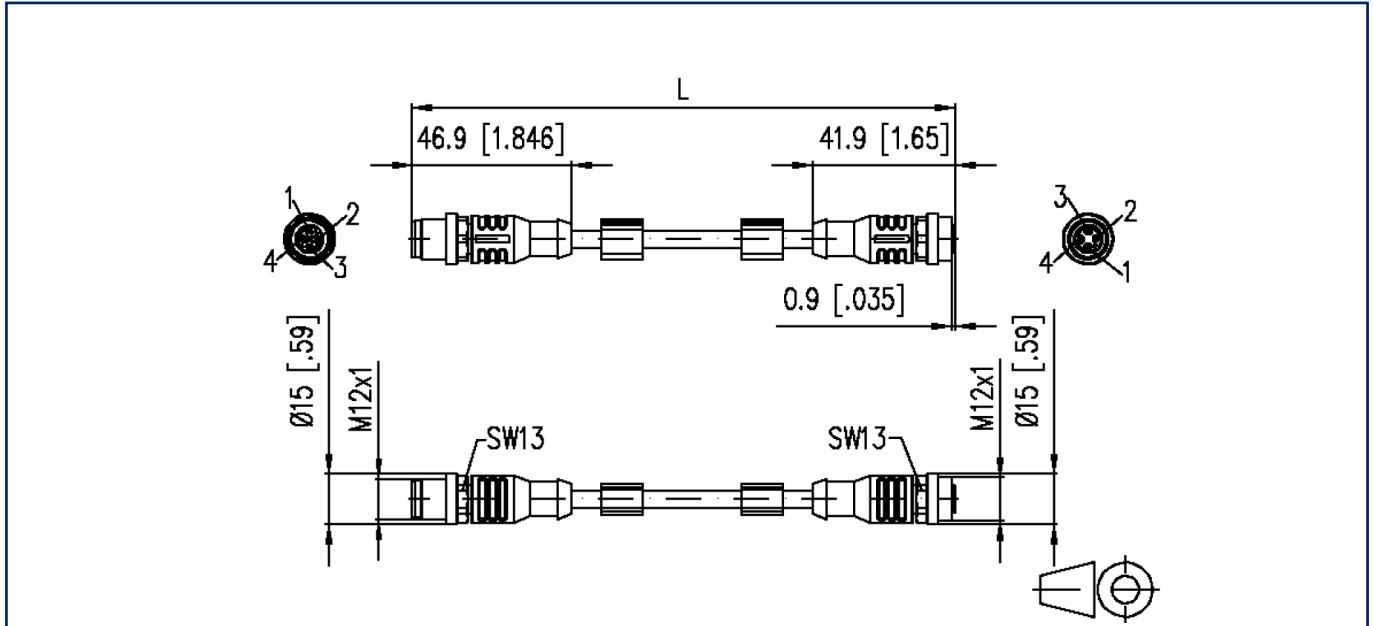
Page 5/6

**Sensor/actuator connection line M12, A-coded, 5.0 m,
AWG 22/42, M12 plug straight - M12 jack straight,
unshielded, 4-pole, PUR, black**

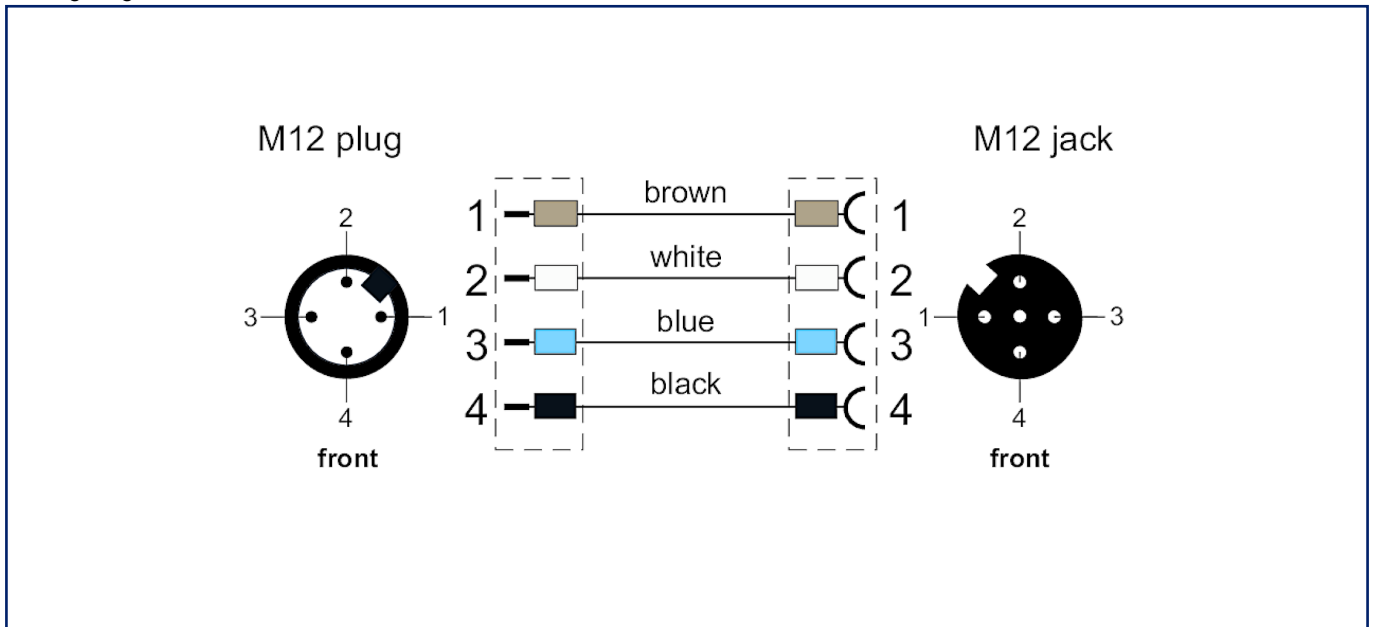
P/N
142MCA12050
EAN 4251394648026
2021/08/18
Version: D

Illustrations

Dimensional drawing



Wiring diagram



P | Cabling

Data sheet

Page 6/6

**Sensor/actuator connection line M12, A-coded, 5.0 m,
AWG 22/42, M12 plug straight - M12 jack straight,
unshielded, 4-pole, PUR, black**

P/N

142MCA12050

EAN 4251394648026

2021/08/18

Version: D

Illustrations

Principle diagram

