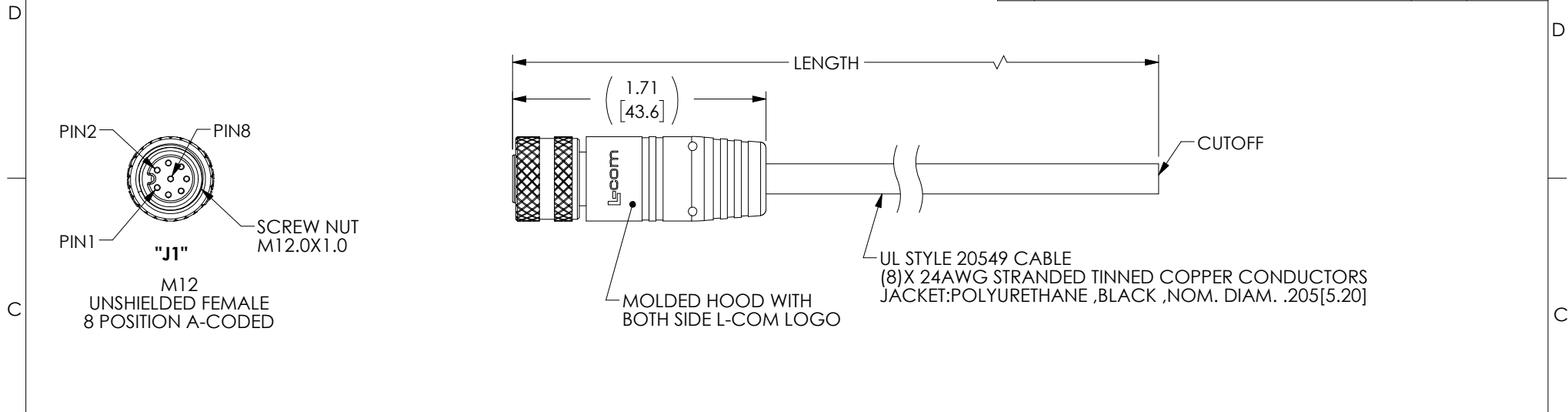


THE INFORMATION CONTAINED IN THIS DRAWING IS THE SOLE PROPERTY OF L-COM, INC. ANY REPRODUCTION IN PART OR WHOLE WITHOUT THE WRITTEN PERMISSION OF L-COM, INC. IS PROHIBITED.

REVISIONS			
REV	DESCRIPTION	DATE	APPROVED
A	INITIAL RELEASED	03/10/2021	DGUITADAUR



"J1"	WIRING MAP	"CUTOFF"
WHITE 1	_____	_____
BROWN 2	_____	_____
GREEN 3	_____	_____
YELLOW 4	_____	_____
GRAY 5	_____	_____
PINK 6	_____	_____
BLUE 7	_____	_____
RED 8	_____	_____

PART NUMBER	LENGTH	
	FEET	METERS
TRG887-P4B-2M	6.56	2.0
TRG887-P4B-5M	16.41	5.0

**NOTES**


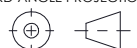
**MATERIAL:**  
 MOLDED HOOD: THERMOPLASTIC POLYURETHANE, BLACK  
 INSULATOR: TPU, BLACK  
 SCREW NUT: BRASS, NICKEL PLATE  
 CONTACTS: PHOSPHOR BRONZE, 15µ" MIN. GOLD PLATE

**ELECTRICAL:**  
 NOMINAL VOLTAGE RATING: 30 V AC/DC  
 MAX CURRENT: 2A

**APPLICATION:**  
 INGRESS PROTECTION RATING IS IP67 (MATED).

**ENVIRONMENTAL:**  
 OPERATING TEMPERATURE RANGE: -25°C TO +80°C  
 CABLE JACKET RESISTANCE: OIL, SUNLIGHT & CHEMICAL RESISTANT  
 CABLE JACKET FLAME RATING: UL94 V-0

**MISCELLANEOUS**  
 CABLE ASSEMBLIES TO BE TESTED FOR CONTINUITY  
 CABLE ASSEMBLY SHALL BE INDIVIDUALLY PACKAGED IN ACCORDANCE WITH L-COM SPECIFICATION PS-0031.

UNLESS OTHERWISE SPECIFIED, DIMENSIONS ARE IN INCHES [mm] OVERALL CABLE LENGTH TOLERANCE: ≤12 [305] = +1 [25] / -0 >12 [305] ≤60 [1524] = +2 [51] / -0 >60 [1524] ≤120 [3048] = +4 [102] / -0 >120 [3048] ≤300 [7620] = +6 [152] / -0 >300 [7620] = +5% / -0 ALL OTHER DIMENSIONAL TOLERANCES: .X = ± .2 [5]      FRACTIONS ± 1/32 .XX = ± .02 [5]      ANGLES ± 1° .XXX = ± .005 [13]	APPROVALS DRAWN BY B.ZHANG CHECKED BY SPAN APPROVED BY DGUITADAUR	DATE 03/08/2021 03/08/2021 03/08/2021	 an INFINITI brand	50 High Street, West Mill, North Andover, MA 01845 USA. Phone: 1.800.341.5266 1.978.682.6936
	CONFIGURATION DETAILS OF UNDIMENSIONED FEATURES MAY VARY		CATEGORY TELECOM/MODULAR	
	THIRD-ANGLE PROJECTION 		PRODUCT DESCRIPTION M12 8PAF PIGTAIL UNSHLD 24AWG PUR BLK	
	COLOR VARIATIONS MAY OCCUR	SIZE <b>A</b>	CAGE CODE <b>43321</b>	DWG. NO. <b>TRG887-P4B</b>