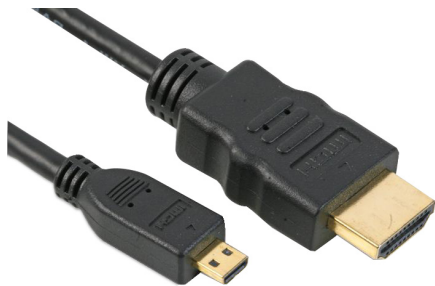


HDMI Plug to Micro HDMI D Plug

pro-SIGNAL

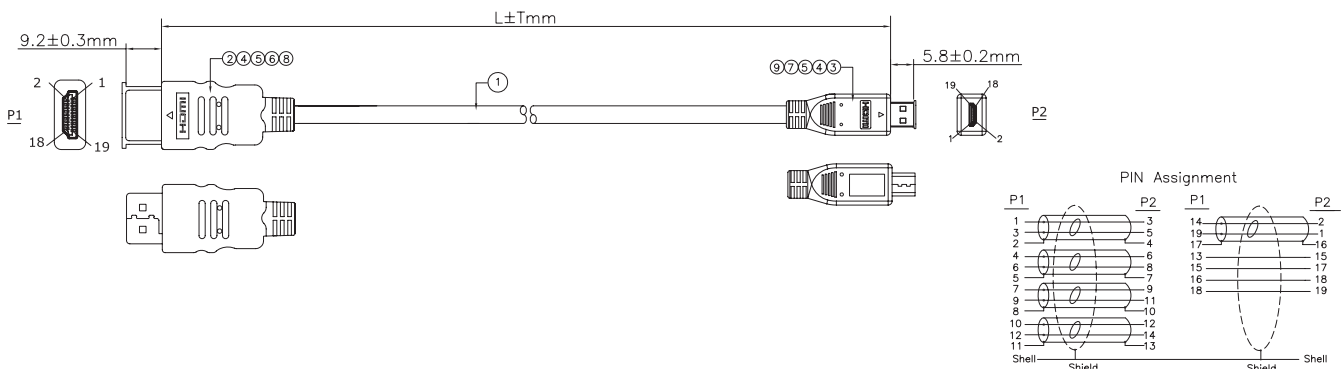


**RoHS
Compliant**

Specifications

Connector Type A	: HDMI Plug
Connector Type B	: Micro HDMI D Plug
Insulation Resistance	: DC 300V/10ms, 10MΩ (Min.)
Jacket Colour	: Black

Diagram



No	Description	Qty.	Unit
1	(34AWG×1P+EAM)×5C+32AWG×2C+AB(10/10/0.08TC) OD:4.2mm Black PVC Mark:High Speed HDMI Cable with Ethernet E342987, AWM Style 20276 80°C 30V VW-1	-	m
2	HDMI AM 19P Black Insulation Pin plated gold Shell plated gold	1	Pc
3	HDMI DM 19P Black Insulation Pin plated gold Shell plated gold		
4	Transparent PE	4	G
5	45P PVC Black		
6	HDMI AM transparent dust cover	1	Pc
7	HDMI DM transparent dust cover		
8	HDMI A Type 19P M automatic welding clip		
9	HDMI D Type 19P M automatic welding clip		

Part Number Table

Description	L ±T	Part Number
HDMI Plug to Micro HDMI D Plug, Black	500 ±15mm	PSG90700
	4500 ±50mm	PSG90704

Dimensions : Millimetres

Important Notice : This data sheet and its contents (the "Information") belong to the members of the AVNET group of companies (the "Group") or are licensed to it. No licence is granted for the use of it other than for information purposes in connection with the products to which it relates. No licence of any intellectual property rights is granted. The Information is subject to change without notice and replaces all data sheets previously supplied. The Information supplied is believed to be accurate but the Group assumes no responsibility for its accuracy or completeness, any error in or omission from it or for any use made of it. Users of this data sheet should check for themselves the Information and the suitability of the products for their purpose and not make any assumptions based on information included or omitted. Liability for loss or damage resulting from any reliance on the Information or use of it (including liability resulting from negligence or where the Group was aware of the possibility of such loss or damage arising) is excluded. This will not operate to limit or restrict the Group's liability for death or personal injury resulting from its negligence. pro-SIGNAL is the registered trademark of Premier Farnell Limited 2019.

Newark.com/exclusive-brands
Farnell.com/exclusive-brands
Element14.com/exclusive-brands

pro-SIGNAL