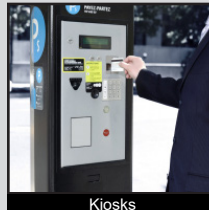


ULV8 SERIES ANTI-VANDAL SWITCH

ANTI-VANDAL SWITCHES
DETECTOR SWITCHES
DIP SWITCHES
KEYLOCK SWITCHES
NAVIGATION SWITCHES
PUSHBUTTON SWITCHES
ROCKER SWITCHES
ROTARY SWITCHES
SLIDE SWITCHES
SNAP ACTION SWITCHES
TACTILE SWITCHES
TOGGLE SWITCHES
CAP OPTIONS



APPLICATIONS / MARKETS



RoHS

SPECIFICATIONS

Electrical Rating: 3A, 125/250VAC
Mechanical Life: 1,000,000 cycles (momentary); 500,000 cycles (latching)
Electrical Life: 50,000 Cycles
Contact Resistance: 50mΩ Max. at 1A 12VDC
Insulation Resistance: ,000MΩ min. @ 500 VDC
Dielectric Strength: 2,000V RMS at sea level
Operating/Storage Temperature: -20°C to 55°C
Travel: 3.2mm
Moisture Protection: IP67
Contact Arrangement: SPDT or DPDT
Actuation Force: SPDT: 2.5N; DPDT: 3.5N,
 Molded Back: SPDT & DPDT: 5.5N
Panel Thickness: 1-10mm
Hex Nut Torque: 5-14Nm
Mechanical Impact Protection: IK08 (Stainless)
Agency Approvals: cURus

FEATURES & BENEFITS

- 25mm diameter panel cutout
- Ring or Ring/Power symbol illumination
- Multiple switch functions available
- Multiple illumination voltage options
- IP67 rated
- SPDT or DPDT
- UL Certified
- Soldered wire leads (300mm long) optional
- Detachable socket w/ wire leads (500mm long) optional
- Molded back w/ wire leads (500mm long) optional

PART NUMBER CONFIGURATOR

Series	Actuator	Terminal	Function	Body Finish	Actuator Finish	Contact Material	Lens Style	LED Color	Illumination Voltage
ULV8	F - Flat	2 - Solder Lug W - Wire Leads 300mm long P - Detachable Socket w/ Wire Leads 500mm long M - Molded Back w/ Wire Leads 500mm long	3 - 1P ON-ON B - 1P ON-(ON)* G - 2P ON-ON H - 2P ON-(ON)*	S - Stainless Steel 1 - Black Anodized	S - Stainless Steel 1 - Black Anodized L - Silver for Graphic	None - Silver G - Gold	3 - Ring, movable with actuator 6 - Ring / Power Symbol, movable with actuator (Stainless Steel only) L - Graphic	0 - White 1 - Red 2 - Orange 3 - Green 4 - Blue 5 - Yellow F - Red / Orange G - Red / Green H - Red / Blue J - Red / Yellow K - Orange / Green N - Blue / Green P - Green / Yellow Q - Blue / Yellow	1 - 3V 3 - 6V 4 - 12V 5 - 24V 6 - 110V 7 - 220V

NOTES:
 *() denotes function is momentary

Specifications subject to change without notice 10.22.2021



E-SWITCH®

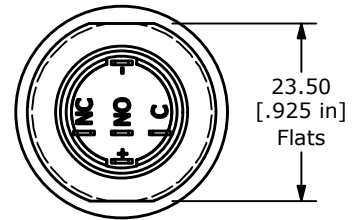
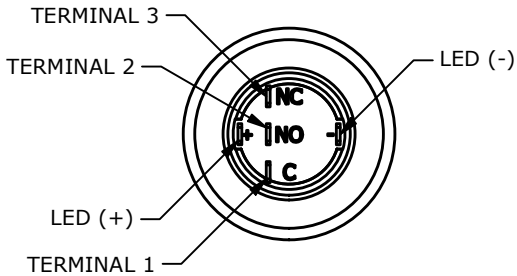
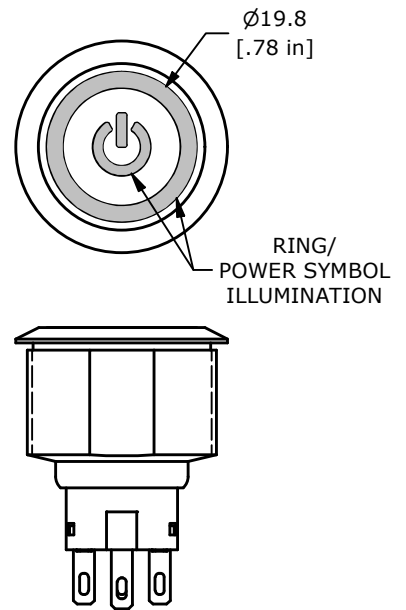
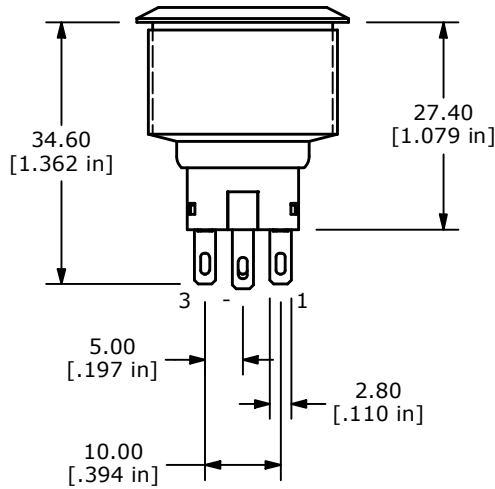
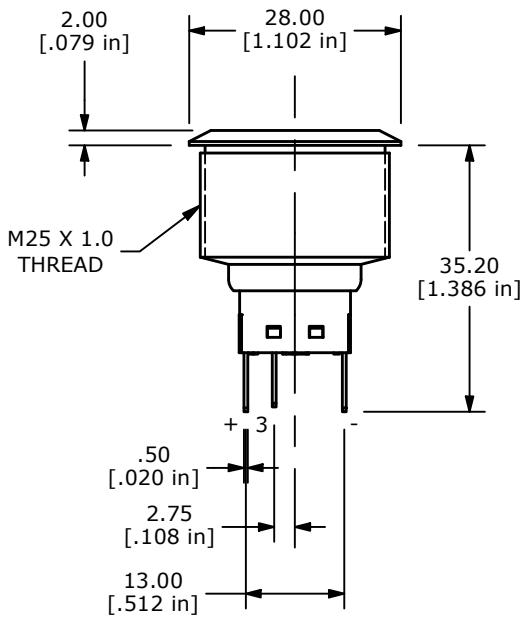
www.e-switch.com

800.867.2717

1

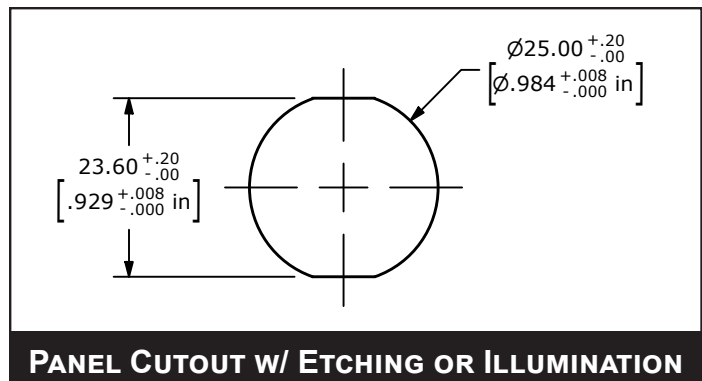
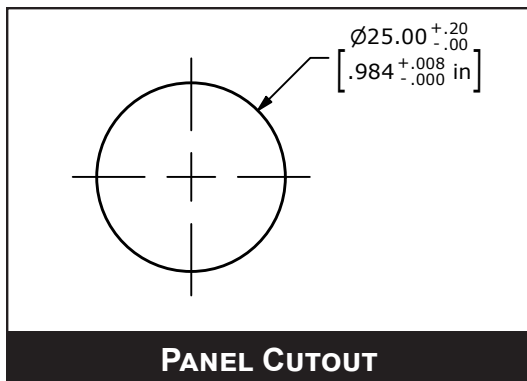
ULV8 SERIES ANTI-VANDAL SWITCH

BODY DIMENSIONS - SPDT



HOUSING WITH FLATS (SPDT OR DPDT) USED ON SWITCHES WITH RING/POWER SYMBOL OR OTHER GRAPHICS (SPDT SHOWN)

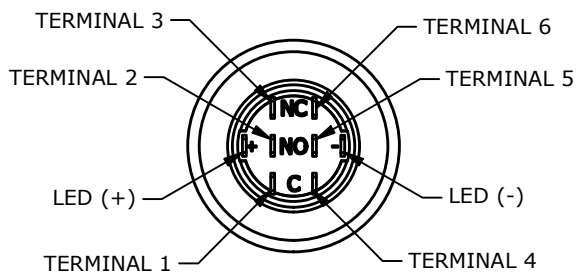
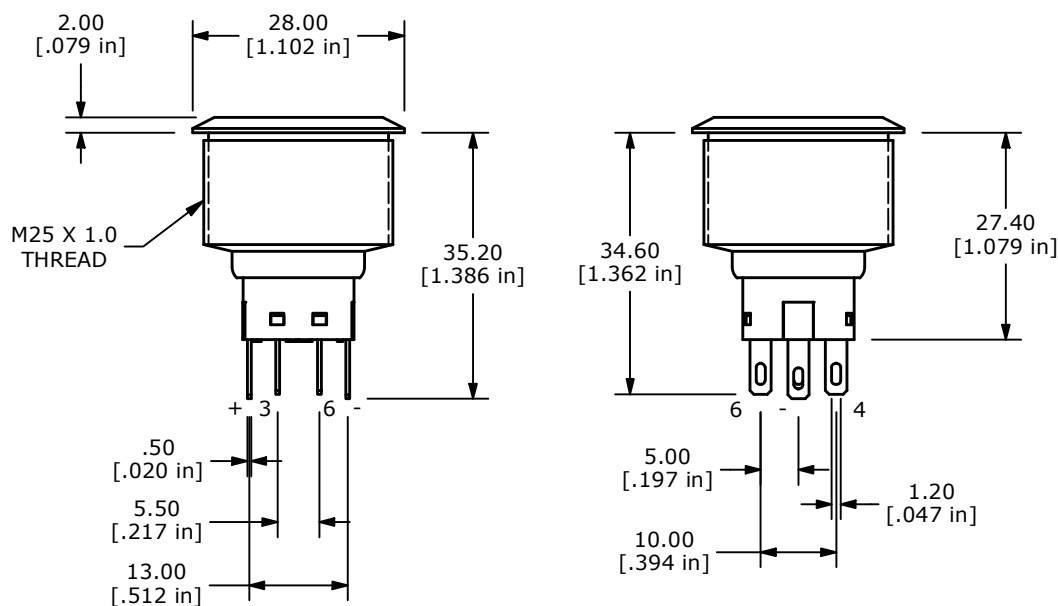
SPDT SWITCH DIMENSIONS



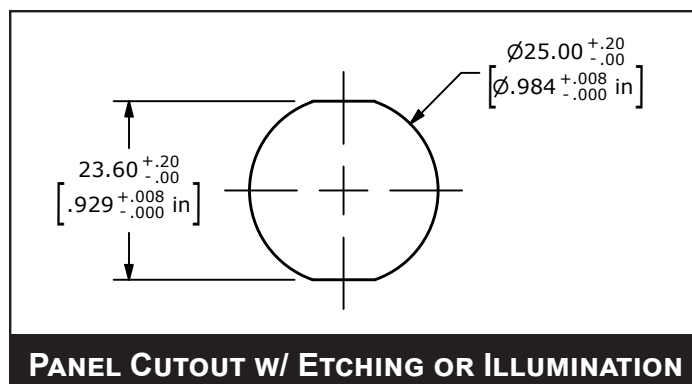
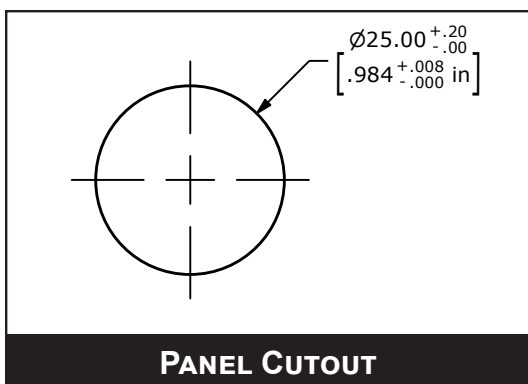
ANTI-VANDAL SWITCHES
DETECTOR SWITCHES
DIP SWITCHES
KEYLOCK SWITCHES
NAVIGATION SWITCHES
PUSHBUTTON SWITCHES
ROCKER SWITCHES
ROTARY SWITCHES
SLIDE SWITCHES
SNAP ACTION SWITCHES
TACTILE SWITCHES
TOGGLE SWITCHES
CAP OPTIONS

ULV8 SERIES ANTI-VANDAL SWITCH

BODY DIMENSIONS - DPDT

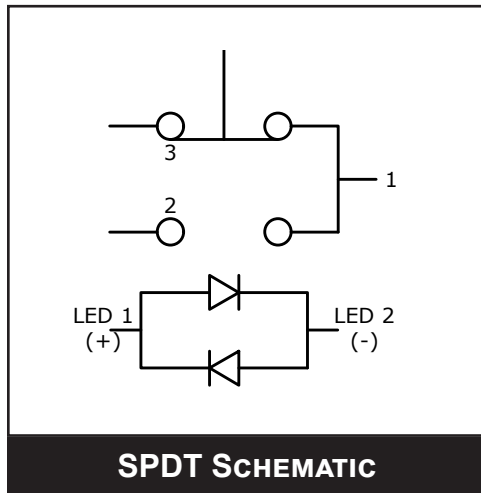


DPDT SWITCH DIMENSIONS

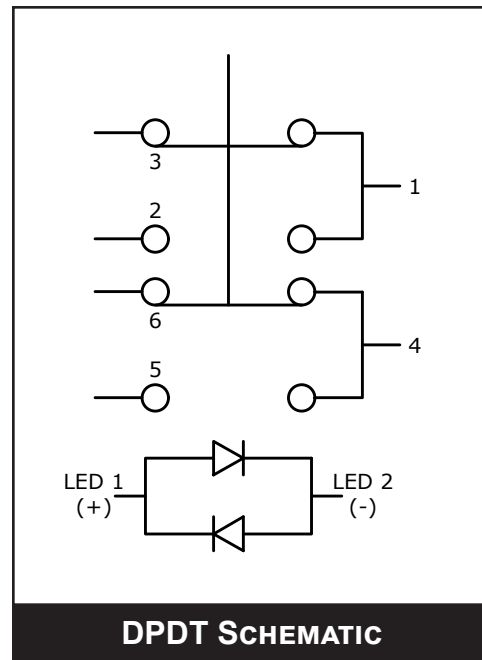


ULV8 SERIES ANTI-VANDAL SWITCH

SCHEMATICS

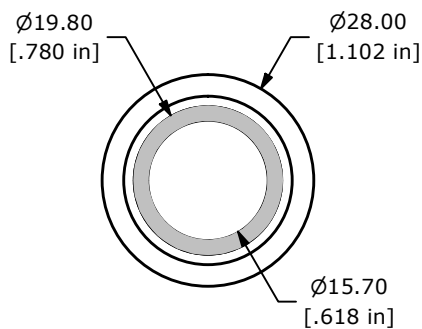


SPDT SCHEMATIC

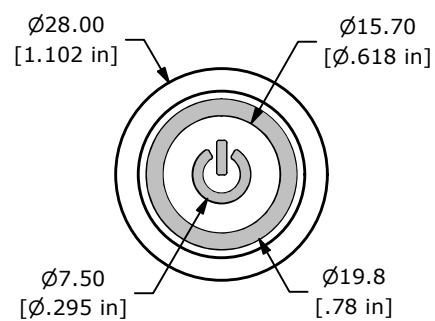


DPDT SCHEMATIC

ACTUATOR OPTIONS



RING ILLUMINATED



RING / POWER SYMBOL ILLUMINATED



ANTI-VANDAL SWITCHES
 DETECTOR SWITCHES
 DIP SWITCHES
 KEYLOCK SWITCHES
 NAVIGATION SWITCHES
 PUSHBUTTON SWITCHES
 ROCKER SWITCHES
 ROTARY SWITCHES
 SLIDE SWITCHES
 SNAP ACTION SWITCHES
 TACTILE SWITCHES
 TOGGLE SWITCHES
 CAP OPTIONS

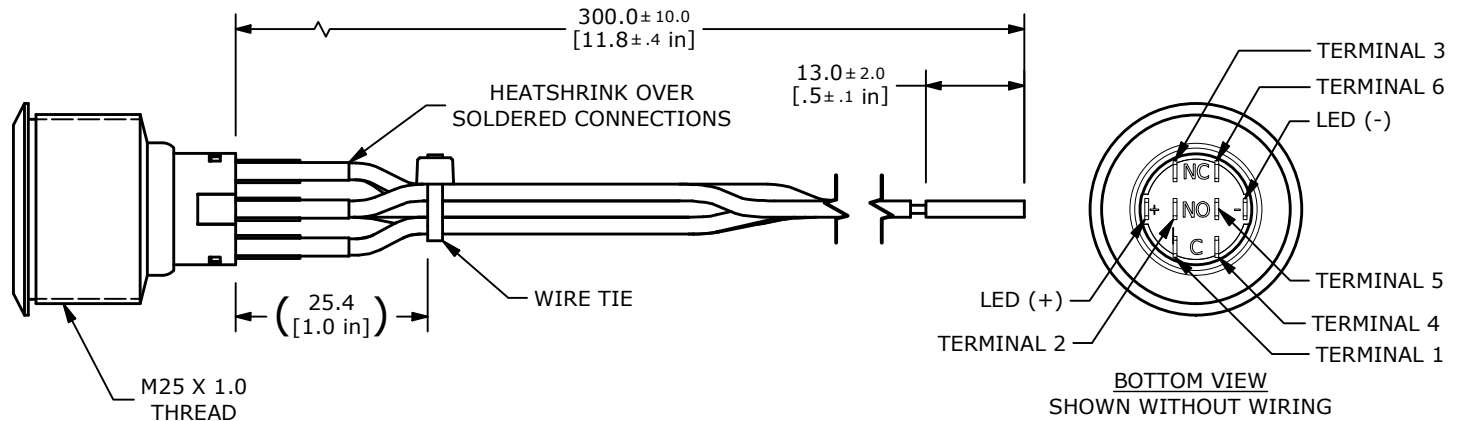
ULV8 SERIES ANTI-VANDAL SWITCH

WIRE OPTIONS

W - Wire Leads
300mm long

SWITCH	WIRE	LENGTH
SW1-1	WIRE, 24AWG AWM UL1015, BLUE	300.0 [11.8 in]
SW1-2	WIRE, 24AWG AWM UL1015, PURPLE	300.0 [11.8 in]
SW1-3	WIRE, 24AWG AWM UL1015, GREEN	300.0 [11.8 in]
SW1-4	WIRE, 24AWG AWM UL1015, WHITE	300.0 [11.8 in]
SW1-5	WIRE, 24AWG AWM UL1015, ORANGE	300.0 [11.8 in]
SW1-6	WIRE, 24AWG AWM UL1015, YELLOW	300.0 [11.8 in]
SW1- (-)	WIRE, 24AWG AWM UL1015, BLACK	300.0 [11.8 in]
SW1- (+)	WIRE, 24AWG AWM UL1015, RED	300.0 [11.8 in]

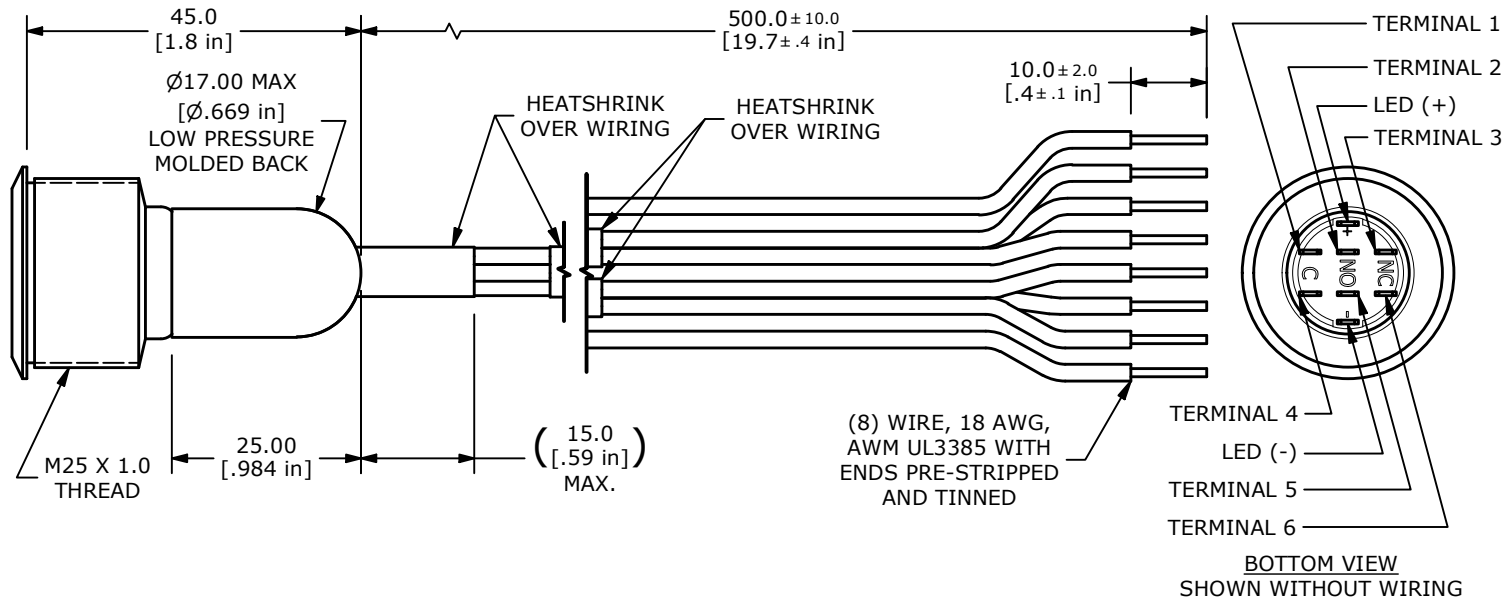
** WIRE LEADS PROVIDED ARE DEPENDENT ON THE FUNCTION SELECTED **



M - Molded Back
w/ Wire Leads
500mm long

SWITCH	WIRE	LENGTH
SW1-1	WIRE, 18 AWG AWM UL3385, YELLOW	500.0 [19.7 in]
SW1-2	WIRE, 18 AWG AWM UL3385, PURPLE	500.0 [19.7 in]
SW1-3	WIRE, 18 AWG AWM UL3385, GREEN	500.0 [19.7 in]
SW1-4	WIRE, 18 AWG AWM UL3385, YELLOW	500.0 [19.7 in]
SW1-5	WIRE, 18 AWG AWM UL3385, PURPLE	500.0 [19.7 in]
SW1-6	WIRE, 18 AWG AWM UL3385, GREEN	500.0 [19.7 in]
SW1- (-)	WIRE, 18 AWG AWM UL3385, BLACK	500.0 [19.7 in]
SW1- (+)	WIRE, 18 AWG AWM UL3385, RED	500.0 [19.7 in]

** WIRE LEADS PROVIDED ARE DEPENDENT ON THE FUNCTION SELECTED **



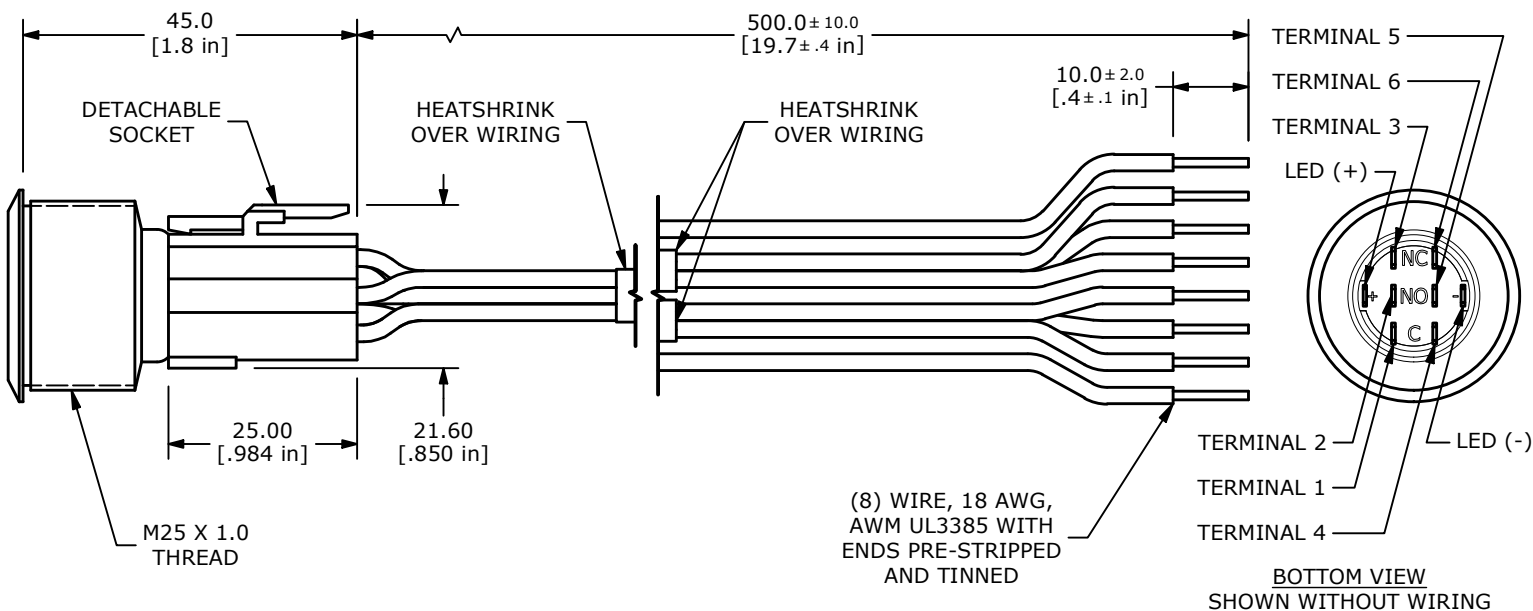
ULV8 SERIES ANTI-VANDAL SWITCH

WIRE OPTIONS

P - Detachable Socket
w/ Wire Leads
500mm long

SWITCH	WIRE	LENGTH
SW1-1	WIRE, 18 AWG AWM UL3385, GREEN	500.0 [19.7 in]
SW1-2	WIRE, 18 AWG AWM UL3385, PURPLE	500.0 [19.7 in]
SW1-3	WIRE, 18 AWG AWM UL3385, YELLOW	500.0 [19.7 in]
SW1-4	WIRE, 18 AWG AWM UL3385, GREEN	500.0 [19.7 in]
SW1-5	WIRE, 18 AWG AWM UL3385, PURPLE	500.0 [19.7 in]
SW1-6	WIRE, 18 AWG AWM UL3385, YELLOW	500.0 [19.7 in]
SW1- (-)	WIRE, 18 AWG AWM UL3385, BLACK	500.0 [19.7 in]
SW1- (+)	WIRE, 18 AWG AWM UL3385, RED	500.0 [19.7 in]

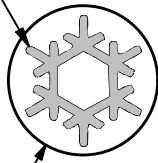
** WIRE LEADS PROVIDED ARE DEPENDENT ON THE FUNCTION SELECTED **



ULV8 SERIES ANTI-VANDAL SWITCH

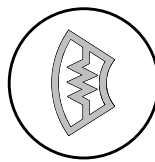
GRAPHIC OPTIONS

** REFER TO BODY DIMENSION PAGES 2 & 3 FOR GRAPHIC ORIENTATION **

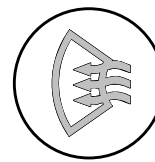
ILLUMINATED

 L1
 Ø19.70
 [Ø.776 in]
 GRAPHIC WITHOUT
 BORDER TYP.



L2



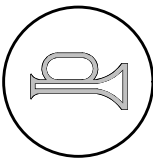
L3



L4



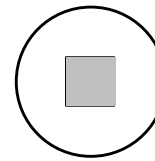
L5



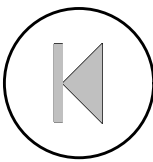
L6



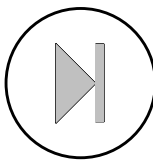
L7



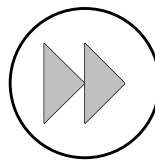
L8



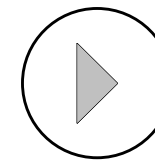
L9



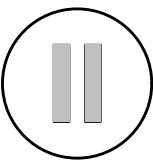
L10



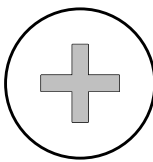
L11



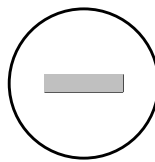
L12



L13



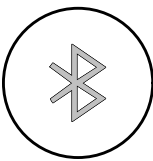
L14



L15



L16



L17



L18



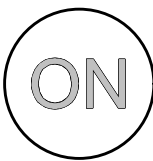
L19



L20



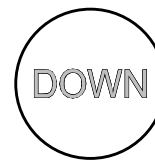
L21



L22



L23



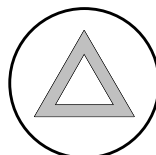
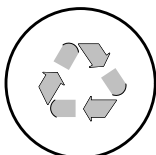
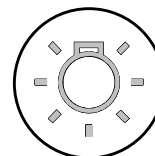
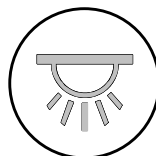
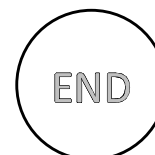
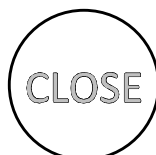
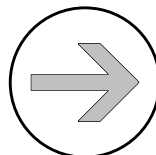
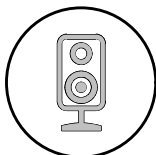
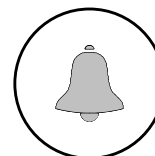
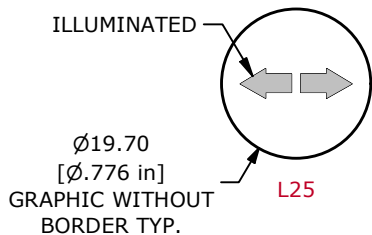
L24



ULV8 SERIES ANTI-VANDAL SWITCH

GRAPHIC OPTIONS (CONT.)

** REFER TO BODY DIMENSION PAGES 2 & 3 FOR GRAPHIC ORIENTATION **



ANTI-VANDAL
SWITCHES

DETECTOR
SWITCHES

DIP
SWITCHES

KEYLOCK
SWITCHES

NAVIGATION
SWITCHES

PUSHBUTTON
SWITCHES

ROCKER
SWITCHES

ROTARY
SWITCHES

SLIDE
SWITCHES

SNAP ACTION
SWITCHES

TACTILE
SWITCHES

TOGGLE
SWITCHES

CAP
OPTIONS

