

# TALL THROUGH-HOLE LOAD CELLS

## 1.50 TO 3.00" DIAMETER

### Compression

**0-3000 lb to 0-150,000 lb**

**0-1361 kgf to 0-68,058 kgf**

1 Newton = 0.2248 lb

1 daNewton = 10 Newtons

1 lb = 454 g

1 t = 1000 kgf = 2204 lb

### LC8000-TALL Series



LC8251-126-50K shown actual size.

- ✓ All Stainless Steel Construction
- ✓ Rugged Industrial Design

### SPECIFICATIONS

**Output:** 2 mV/V nominal  
**Input:** 10 Vdc (15V maximum)

**Linearity:** ±0.5% FSO

**Repeatability:** ±0.1% FSO

**Zero Balance:** ±2.0% FSO

**Operating Temp Range:**  
-54 to 121°C (-65 to 250°F)

**Compensated Temp Range:**  
16 to 71°C (60 to 160°F)

#### Thermal Effects:

**Zero:** ±0.009% FSO/°C

**Span:** ±0.018% rdg/°C

**Safe Overload:** 150% of capacity

**Ultimate Overload:** 300% of capacity

**Input Resistance:** 360 Ω minimum

**Output Resistance:** 350 ±5 Ω

**Full Scale Deflection:** 0.08 mm (0.003") nominal

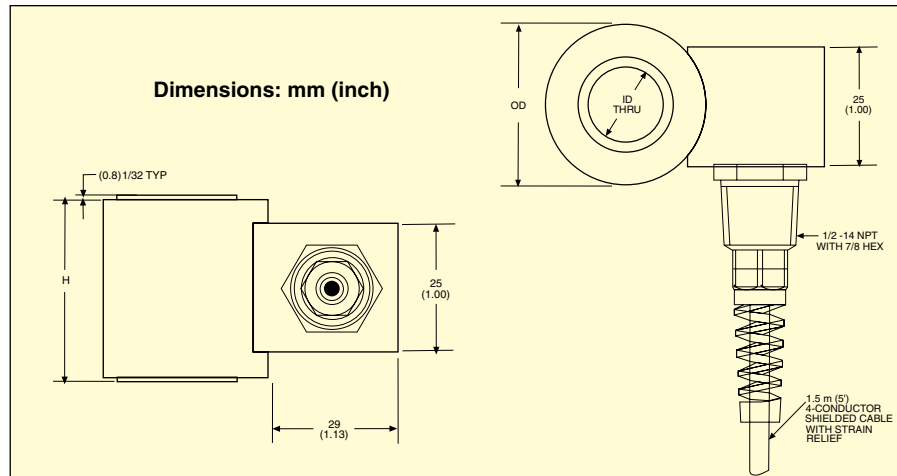
**Construction:** 17-4 PH stainless steel

**Electrical:** 1.5 m (5') 4-conductor shielded cable

#### Dimensions: mm (inch)

MODEL	OD	H
LC8151	38 (1.50)	38 (1.50)
LC8251 (1K to 50K)	64 (2.50)	64 (2.50)
LC8301 (≥100K)	76 (3.00)	51 (2.00)
LC8302	76 (3.00)	76 (3.00)

WIRE	CONNECTION
GN	+Output
WT	-Output
BK	-Input
RD	+Input



### To Order

CAPACITY		MODEL NO.	ID	COMPATIBLE METERS**
3000 lb	1350 kgf	LC8151-500-3K	0.50	DP41-S, DP25B-S, DPiS
5000 lb	2275 kgf	LC8151-500-5K	0.50	DP41-S, DP25B-S, DPiS
10,000 lb	4500 kgf	LC8151-500-10K	0.50	DP41-S, DP25B-S, DPiS
20,000 lb	9100 kgf	LC8151-500-20K	0.50	DP41-S, DP25B-S, DPiS
10,000 lb	4500 kgf	LC8151-750-10K	0.75	DP41-S, DP25B-S, DPiS
25,000 lb	11,250 kgf	LC8151-750-25K	0.75	DP41-S, DP25B-S, DPiS*
50,000 lb	22,500 kgf	LC8251-126-50K	1.26	DP41-S, DP25B-S, DPiS*
75,000 lb	34,000 kgf	LC8251-126-75K	1.26	DP41-S, DP25B-S, DPiS*
100,000 lb	45,210 kgf	LC8251-126-100K	1.26	DP41-S, DP25B-S, DPiS*
75,000 lb	34,000 kgf	LC8301-126-75K	1.26	DP41-S, DP25B-S, DPiS*
100,000 lb	45,250 kgf	LC8301-126-100K	1.26	DP41-S, DP25B-S, DPiS*
150,000 lb	68,000 kgf	LC8302-151-150K	1.51	DP41-S, DP25B-S, DPiS*

Comes complete with 5-point NIST-traceable calibration and 59 kΩ shunt data.

\* 4-digit meter.

\*\* Visit us online for compatible meters.

**Ordering Examples:** LC8151-500-3K, 3000 lb capacity load cell, 1.50" Dia. and 0.50" ID.

LC8251-126-75K, 75,000 lb capacity load cell, 2.50" Dia. and 1.26" ID.

LC8302-151-150K, 150,000 lb capacity load cell, 3.00" Dia. and 1.51" ID.