

PRO-SIGNAL



**HDMI 18Gbps Audio Extractor
with Audio Downmix
PSG3461**

Introduction

The HDMI 18Gbps Audio Extractor can extract audio signals from any HDMI compliant source to digital optical or analogue stereo L/R audio outputs. For maximum flexibility, this audio extractor also supports bitstream audio down-mix to analogue stereo output and keeps optical and HDMI out audio pass-through.



DOLBY
AUDIO

Manufactured under license from Dolby Laboratories. Dolby and the double-D symbol are trademarks of Dolby Laboratories.



Manufactured under license from DTS Licensing Limited. DTS, the Symbol, DTS and the Symbol together, and Digital Surround are registered trade-marks or trademarks of DTS, Inc. in the United States and/or other countries. © DTS, Inc. All Rights Reserved.

Features

- HDMI 2.0b (18Gbps), HDCP 2.2 and DVI compliant
- Video resolutions up to 4K2K@50/60Hz (YUV444)
- Extract HDMI audio to multi-channel optical (SPDIF) or L/R analog audio
- HDMI Pass-through audio input to HDMI and optical audio output
- Support bitstream audio down-mix to L/R analog output
- Optical audio supports LPCM 2CH, Dobby Digital 2/5.1CH, DTS 2/5.1CH
- Support HDMI High Bit Rate(HBR) audio pass through
- Audio sample rates up to 96kHz
- 10bits HDR (High Dynamic Range) pass through
- Support CEC pass-through

Package Contents

- 1× HDMI 18Gbps Audio Extractor
- 1× 5V/1A Power Adapter
- 1× User Manual

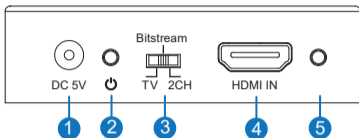
Specifications

Technical	
HDMI Compliance	HDMI 2.0b
HDCP Compliance	HDCP 2.2 and HDCP 1.4
Video Bandwidth	18Gbps
Video Resolutions	Up to 4K2K@50/60Hz(YUV4:4:4), 4K2K@30Hz, 1080P@120Hz, and 1080P 3D@60Hz
Colour Space	RGB, YCbCr 4:4:4, YCbCr 4:2:2
Colour Depth	10-bit, 12-bit
HDMI Audio Formats (Pass-through)	LPCM 2/5.1/7.1CH, Dolby Digital, DTS 5.1, Dolby Digital+, Dolby TrueHD, DTS-HD Master Audio, Dolby Atmos, DTS:X
Optical Audio Formats	LPCM 2CH, Dolby Digital 2/5.1 CH, DTS 2/5.1CH
L/R Audio Formats	Analog Stereo 2CH
ESD Protection	Human body model — $\pm 8\text{kV}$ (air-gap discharge) & $\pm 4\text{kV}$ (contact discharge)

Connections	
Inputs	1x HDMI Type A [19-pin female]
Outputs	1x HDMI Type A [19-pin female] 1x L/R Audio Out [RCA] 1x Optical Out [S/PDIF]
Mechanical	
Housing	Metal Enclosure
Colour	Black
Dimensions	73.5mm[W] x 60.7mm[D] x 20mm[H]
Weight	135g
Power Supply Unit	Input: AC100 - 240V 50/60Hz Output: DC 5V/1A
Power Consumption	1.25W (Max)
Operation Temperature	32 - 104°F / 0 - 40°C
Storage temperature	-4 - 140°F / -20 - 60°C
Relative Humidity	20 - 90% RH (no condensation)

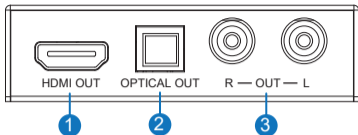
Operation Controls and Functions

Front Panel



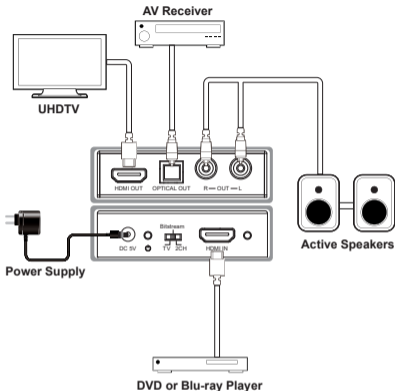
Number	Name	Function Description
1	DC 5V	Connect 5V/1A adapter to AC wall outlet for power supply.
2	Power LED	System power indicator.
3	TV/Bitstream/2CH	The user allows to select audio format according to Copy TV, Bitstream or 2CH. TV: Copy EDID from TV. Bitstream: Multi channel audio up to six channels. 2CH: 2 channel Stereo PCM.
4	HDMI IN	HDMI video input.
5	Status LED	Red illuminate: PCM decoder or No signal Red blinking: Dolby decoder Green blinking: DTS decoder

Rear Panel



Number	Name	Function Description
1	HDMI OUT	HDMI output for display connectivity.
2	OPTICAL Out	Toslink digital audio output (mirrors HDMI).
3	R/L OUT	Stereo RCA analog audio output.

Connection Diagram



INFORMATION ON WASTE DISPOSAL FOR CONSUMERS OF ELECTRICAL & ELECTRONIC EQUIPMENT.

When this product has reached the end of its life it must be treated as Waste Electrical & Electronic Equipment (WEEE). Any WEEE marked products must not be mixed with general household waste, but kept separate for the treatment, recovery and recycling of the materials used. Contact your local authority for details of recycling schemes in your area.

Made in China.
PO Box 13362 Dublin 2
PR2 9PP