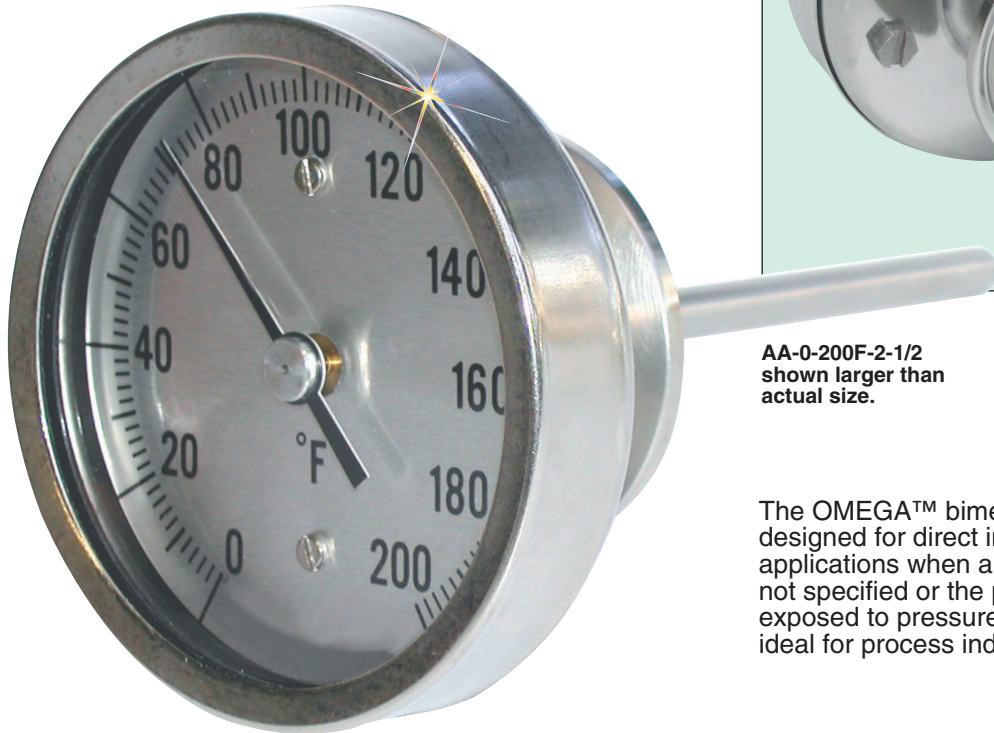




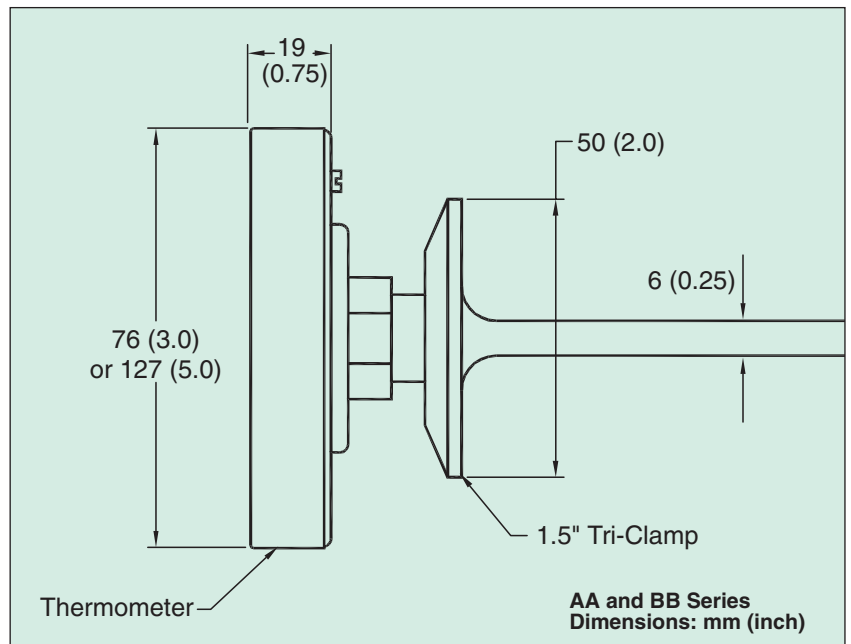
Sanitary Dial Thermometers

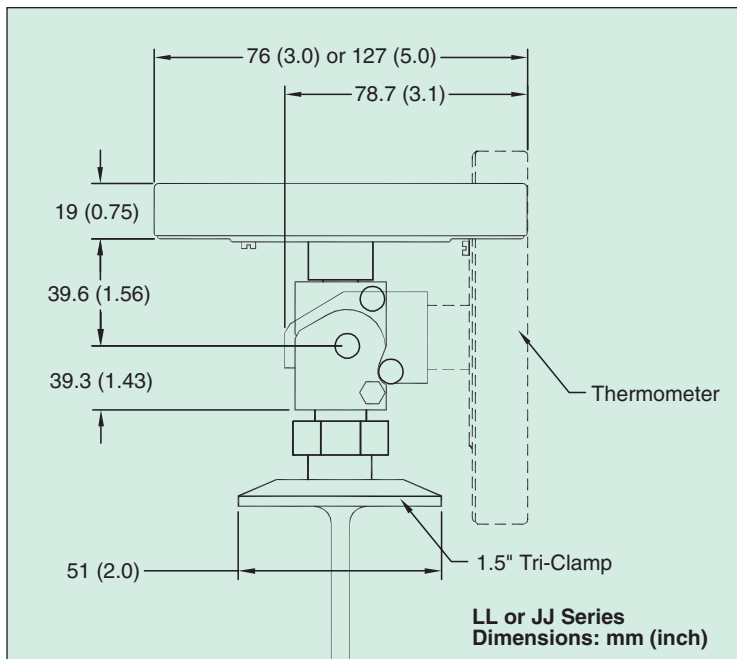


AA-0-200F-2-1/2
shown larger than
actual size.

The OMEGA™ bimetal thermometer is specially designed for direct insertion into process applications when a standard thermowell is not specified or the process environment is not exposed to pressure. The bimetal thermometer is ideal for process industries.

- ✓ All 316/316L SS Wetted Parts
- ✓ All Welded Construction
- ✓ Easy to Calibrate Reset Screw
- ✓ Hermetically Sealed
- ✓ 32 Ra Max on All Wetted Surfaces
- ✓ Standard Connection: 1½" Tri-Grip™ (Tri-Clamp® Compatible)
- ✓ 6 mm (¼") Standard Stem Diameter
- ✓ Glass Lens Standard
- ✓ Standard Lengths From 2½ to 15"





Temperature Range Table

Fahrenheit		Celsius		Dual	
Range	Div.	Range	Div.	Range	Div.
-40 to 160°F	2°	-40 to 70°C	1°	-40 to 160°F	2°
25 to 125°F**	1°	0 to 50°C**	1°	-40 to 70°C	1°
0 to 200°F	2°	0 to 100°C	2°	25 to 125°F**	1°
0 to 250°F	2°	-20 to 120°C	1°	-5 to 50°C	1°
50 to 300°F	2°	0 to 150°C	1°	0 to 200°F	2°
50 to 500°F	5°	0 to 250°C	5°	-10 to 90°C	1°
150 to 750°F	10°	50 to 400°C	5°	0 to 250°F	2°
** 4" minimum stem length.				-20 to 120°C	2°
				50 to 300°F	2°
				10 to 150°C	2°
				50 to 500°F	5°
				10 to 260°C	5°
				150 to 750°F	10°
				70 to 400°C	5°

**To order AA, BB, LL or JJ models, specify:
Model - Range - Stem Length - Options**

Ordering Examples:

AA-40-160F-2-1/2, 76 mm (3") dial, 25 to 38 mm (1 to 1.5") Tri-Grip™, 64 mm (2.5") long, -40 to 160°F.

BB-40-160F-4-SF, 127 mm (5"), 102 mm (4") long, -40 to 160°F, optional silicone filled dial.

LL-40-160F-6, 76 mm (3") adjustable dial, 152 mm (6") long, -40 to 160°F.

JJ-0-200F-10-90C-12, 127 mm (5") adjustable dial, 305 mm (12") long, dual range, 0 to 200°F and -10 to 90°C.



JJ-0-200F-2-1/2 shown smaller than actual size.

Options

Suffix	Description
-SF	Silicone filled
-PY	Polycarbonate window
-R20	Ra20 max wetted finish
-NIST†	3 point NIST calibration certificate

Standard Stem Length

Dial Size	1 or 1.5" Mount	Temperature Tri-Grip™ Models	Range
76 mm (3")	Back connected	AA-(*)-(**)	Select from table above
127 mm (5")	Back connected	BB-(*)-(**)	Select from table above
76 mm (3")	Adjustable angle	LL-(*)-(**)	Select from table above
127 mm (5")	Adjustable angle	JJ-(*)-(**)	Select from table above

* Specify temperature range from table above.

* Specify length (L) 2½, 4, 6, 9, 12 or 15".