

213870-1 ✓ ACTIVE

[AMP](#) | [AMP CPC](#)

TE Internal #: 213870-1

AMP CPC, Circular Power Connectors, Housing, Operating Voltage 600 VDC, Wire-to-Wire, 19 Position, Wire & Cable, Receptacle, Pin, Power & Signal

[View on TE.com >](#)



[Connectors](#) > [Power Connectors](#) > [Circular Power](#) > [Circular Power Connectors](#) > [CPC SERIES 1](#)



Connector Product Type: **Housing**

Operating Voltage: **600 VDC**

Connector System: **Wire-to-Wire**

Number of Positions: **19**

Sealable: **No**

[All CPC SERIES 1 \(57\)](#)

Features

Product Type Features

Connector Product Type	Housing
Connector System	Wire-to-Wire
Sealable	No
Connector & Contact Terminates To	Wire & Cable
Connector & Housing Type	Receptacle
Circular Connector Shell Type	All Plastic

Configuration Features

Reverse Numbering	With
Number of Positions	19
Number of Power Positions	0
Keying	B
Number of Signal Positions	19

Electrical Characteristics

Operating Voltage	600 VAC
-------------------	---------

Contact Features

Reverse Gender	No
Contact Type	Pin

Contact Protection	With
--------------------	------

Mechanical Attachment

Panel Mount Feature Type	Flange with Mounting Holes
Screw & Hole Thread Size	1-3/8 - 18 UNEF-2A
Connector Mounting Type	Panel Mount
Mating Alignment	With
Mating Retention	With
Panel Mount Feature	With
Mating Alignment Type	Keyed
Mating Retention Type	Threaded Coupling

Housing Features

Body Orientation	Straight
Housing Color	Black
Housing Material	Nylon, Thermoplastic
Circular Connector Shell Size	23

Usage Conditions

Operating Temperature Range	-55 – 105 °C[-67 – 221 °F]
Fluid Resistance	None

Operation/Application

Circuit Application	Power & Signal
Shielded	No

Industry Standards

UL Flammability Rating	UL 94V-0
VDE Tested	Yes

Packaging Features

Packaging Method	Package
Packaging Quantity	1

Other

Comment	4 Locating Key Arrangement.
---------	-----------------------------

Product Compliance

For compliance documentation, visit the product page on [TE.com](https://www.te.com)>



EU RoHS Directive 2011/65/EU	Compliant
EU ELV Directive 2000/53/EC	Compliant
China RoHS 2 Directive MIIT Order No 32, 2016	No Restricted Materials Above Threshold
EU REACH Regulation (EC) No. 1907/2006	Current ECHA Candidate List: JUL 2021 (219) Candidate List Declared Against: JUL 2021 (219) Does not contain REACH SVHC
Halogen Content	BFR/CFR/PVC Free, but Br/Cl >900 ppm in other sources.
Solder Process Capability	Not applicable for solder process capability

Product Compliance Disclaimer

This information is provided based on reasonable inquiry of our suppliers and represents our current actual knowledge based on the information they provided. This information is subject to change. The part numbers that TE has identified as EU RoHS compliant have a maximum concentration of 0.1% by weight in homogenous materials for lead, hexavalent chromium, mercury, PBB, PBDE, DBP, BBP, DEHP, DIBP, and 0.01% for cadmium, or qualify for an exemption to these limits as defined in the Annexes of Directive 2011/65/EU (RoHS2). Finished electrical and electronic equipment products will be CE marked as required by Directive 2011/65/EU. Components may not be CE marked. Additionally, the part numbers that TE has identified as EU ELV compliant have a maximum concentration of 0.1% by weight in homogenous materials for lead, hexavalent chromium, and mercury, and 0.01% for cadmium, or qualify for an exemption to these limits as defined in the Annexes of Directive 2000/53/EC (ELV). Regarding the REACH Regulation, the information TE provides on SVHC in articles for this part number is based on the latest European Chemicals Agency (ECHA) 'Guidance on requirements for substances in articles' posted at this URL: <https://echa.europa.eu/guidance-documents/guidance-on-reach>

Compatible Parts



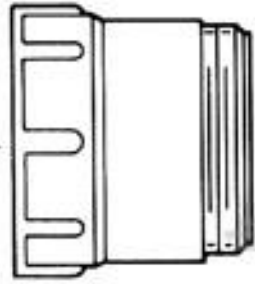
TE Part # 213853-1
CPC PLUG ASSEMBLY SIZE 23-19



TE Part # 207299-4
FLANGE PLUG




TE Part # CAT-AM71-C83998B
CPC CABLE CLAMPS




TE Part # 207055-1
EXTENDER BACK SHELL


Also in the Series | AMP CPC




Circular Connector Adapters(7)



Circular Connector Boots & Strain Relief(6)



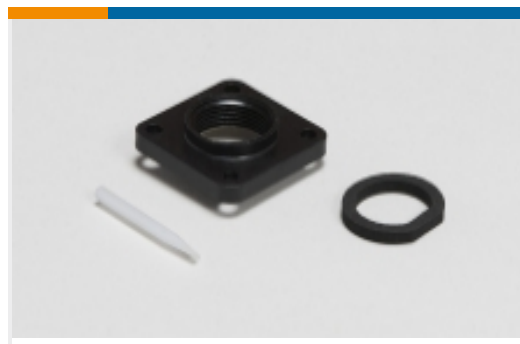
Circular Connector Caps & Covers(16)



Circular Connector Hardware(3)



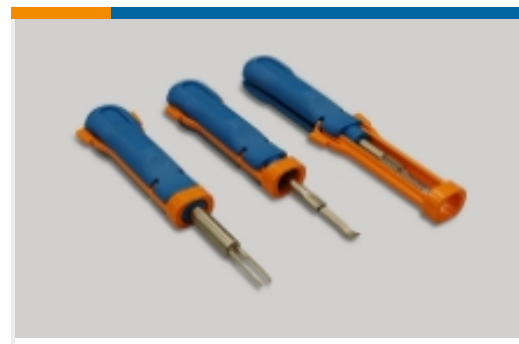
Circular Connector Keying Plugs(2)



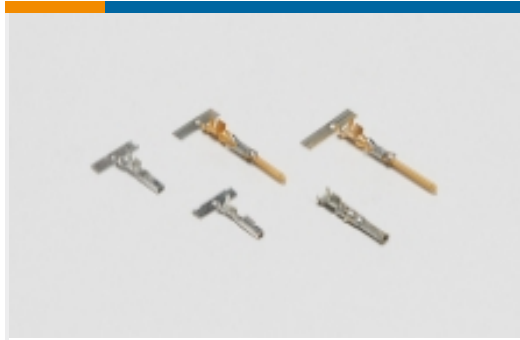
Circular Connector Seals(36)



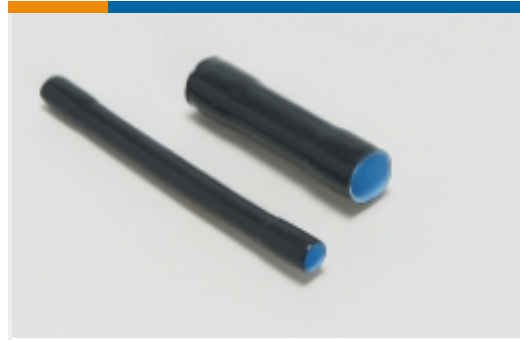
Circular Power Connectors(513)



Insertion & Extraction Tools(1)



Power Contacts(6)



Sealing Sleeves(2)

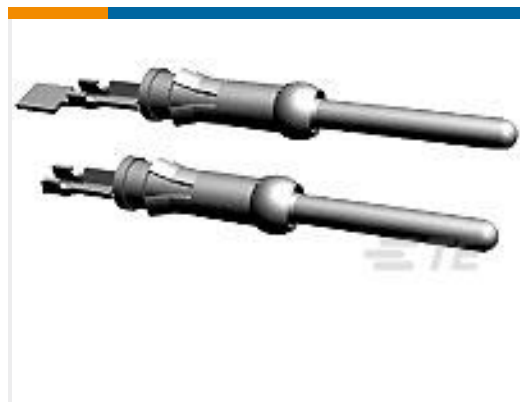


Unscreened Circular Connector Backshells & Clamps(56)

Customers Also Bought



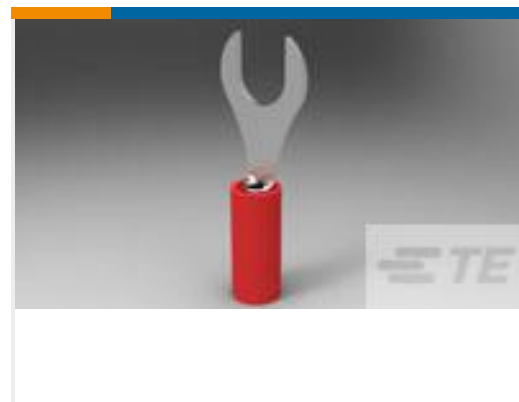
TE Part #213868-1
CPC SERIES 1



TE Part #66566-4
III+ PIN,24-20,30AU/FL,LP



TE Part #62321-1
110 FASTON FLAG REC 22-16 AWG
TPBR



TE Part #8-35216-1
PIDG SLTD 22-16COMM 22-18MIL 6



TE Part #640706-2
CONTACT .045 POST PT BRASS

Documents

Product Drawings

[23-19 RCPT HSG,STD SEX,CPC](#)

English

CAD Files

Customer View Model

[ENG_CVM_CVM_213870-1_G.2d_dxf.zip](#)

English

[3D PDF](#)



3D

Customer View Model

[ENG_CVM_CVM_213870-1_G.3d_igs.zip](#)

English

Customer View Model

[ENG_CVM_CVM_213870-1_G.3d_stp.zip](#)

English

By downloading the CAD file I accept and agree to the [Terms and Conditions](#) of use.

Datasheets & Catalog Pages

[AMP Circular Connectors for Commercial Signal & Power Applications](#)

English

Product Specifications

[Application Specification](#)

English

Product Environmental Compliance

[Product Compliance](#)

English

[Product Compliance](#)

English