

1-208657-1 ✓ ACTIVE

AMP | AMP CPC

TE Internal #: 1-208657-1

AMP CPC, Circular Power Connectors, Connector Assembly,
Operating Voltage 250 VDC, Wire-to-Board, 8 Position, Printed
Circuit Board, Receptacle

[View on TE.com >](#)



Connectors > Power Connectors > Circular Power > Circular Power Connectors > CPC SERIES 2 POSTED



Connector Product Type: **Connector Assembly**

Operating Voltage: **250 VDC**

Connector System: **Wire-to-Board**

Number of Positions: **8**

Sealable: **No**

[All CPC SERIES 2 POSTED \(8\)](#)

Features

Product Type Features

Connector Product Type	Connector Assembly
Connector System	Wire-to-Board
Sealable	No
Connector & Contact Terminates To	Printed Circuit Board
Connector & Housing Type	Receptacle
Circular Connector Shell Type	All Plastic

Configuration Features

Number of Positions	8
Number of Power Positions	0
Number of Signal Positions	8

Electrical Characteristics

Operating Voltage	250 VAC
-------------------	---------

Contact Features

Reverse Gender	Yes
Contact Type	Socket
Contact Current Rating (Max)	7.5 A
Contact Protection	With



Termination Features

Termination Method to Printed Circuit Board	Through Hole - Solder
---	-----------------------

Mechanical Attachment

Panel Mount Feature Type	Flange with Mounting Holes
--------------------------	----------------------------

Connector Mounting Type	Panel Mount
-------------------------	-------------

Mating Alignment	With
------------------	------

Mating Retention	With
------------------	------

Panel Mount Feature	With
---------------------	------

Mating Alignment Type	Keyed
-----------------------	-------

Mating Retention Type	Threaded Coupling
-----------------------	-------------------

Housing Features

Housing Color	Black
---------------	-------

Housing Material	Thermoplastic
------------------	---------------

Circular Connector Shell Size	11
-------------------------------	----

Dimensions

Assembly Length	29.49 mm[1.161 in]
-----------------	--------------------

Usage Conditions

Operating Temperature Range	-55 – 105 °C[-67 – 221 °F]
-----------------------------	----------------------------

Fluid Resistance	None
------------------	------

Operation/Application

Circuit Application	Signal
---------------------	--------

Shielded	No
----------	----

Industry Standards

UL Flammability Rating	UL 94V-0
------------------------	----------

Packaging Features

Packaging Method	Bag
------------------	-----

Packaging Quantity	27
--------------------	----

Product Compliance

For compliance documentation, visit the product page on [TE.com](#)>

EU RoHS Directive 2011/65/EU	Compliant
------------------------------	-----------



EU ELV Directive 2000/53/EC	Compliant
China RoHS 2 Directive MIIT Order No 32, 2016	No Restricted Materials Above Threshold
EU REACH Regulation (EC) No. 1907/2006	Current ECHA Candidate List: JUL 2021 (219) Candidate List Declared Against: JUL 2021 (219) Does not contain REACH SVHC
Halogen Content	BFR/CFR/PVC Free, but Br/Cl >900 ppm in other sources.
Solder Process Capability	Wave solder capable to 265°C

Product Compliance Disclaimer

This information is provided based on reasonable inquiry of our suppliers and represents our current actual knowledge based on the information they provided. This information is subject to change. The part numbers that TE has identified as EU RoHS compliant have a maximum concentration of 0.1% by weight in homogenous materials for lead, hexavalent chromium, mercury, PBB, PBDE, DBP, BBP, DEHP, DIBP, and 0.01% for cadmium, or qualify for an exemption to these limits as defined in the Annexes of Directive 2011/65/EU (RoHS2). Finished electrical and electronic equipment products will be CE marked as required by Directive 2011/65/EU. Components may not be CE marked. Additionally, the part numbers that TE has identified as EU ELV compliant have a maximum concentration of 0.1% by weight in homogenous materials for lead, hexavalent chromium, and mercury, and 0.01% for cadmium, or qualify for an exemption to these limits as defined in the Annexes of Directive 2000/53/EC (ELV). Regarding the REACH Regulation, the information TE provides on SVHC in articles for this part number is based on the latest European Chemicals Agency (ECHA) 'Guidance on requirements for substances in articles' posted at this URL: <https://echa.europa.eu/guidance-documents/guidance-on-reach>

Compatible Parts



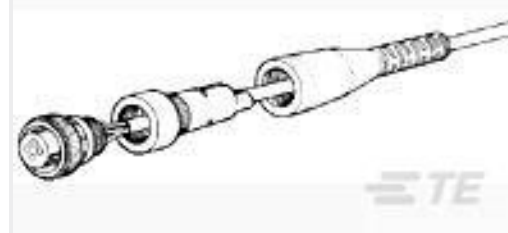
TE Part # 206434-1
CPC PLUG ASSEMBLY SIZE 11-8



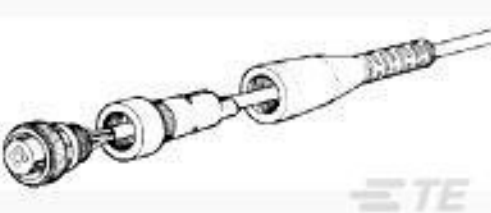
TE Part # CAT-AM71-C83998B
CPC CABLE CLAMPS



TE Part # 208657-1
CPC RECEPT ASSEMBLY SIZE 11-8



TE Part # 207489-1
FLEXIBLE CABLE BOOT, SIZE 11



TE Part # 207490-1
CABLE GRIPPER, SIZE 11



TE Part # 207299-1
PLUG MTG. FLANGE NO 11 CPC

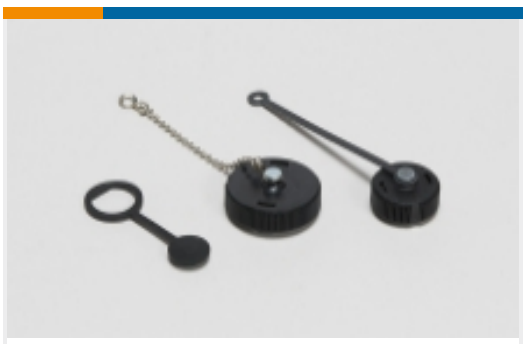
Also in the Series | AMP CPC



Circular Connector Adapters(7)



Circular Connector Boots & Strain Relief(6)



Circular Connector Caps & Covers(16)



Circular Connector Hardware(3)



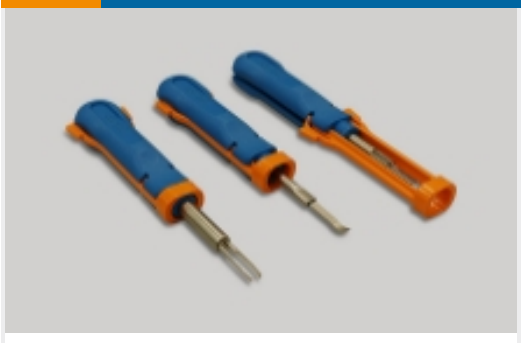
Circular Connector Keying Plugs(2)



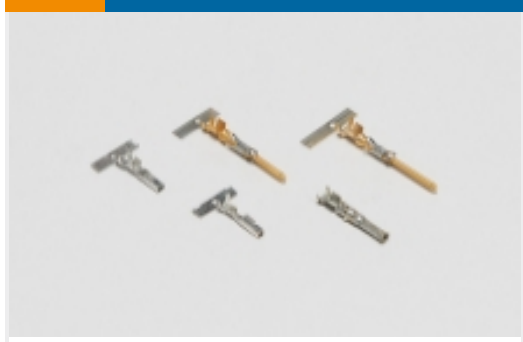
Circular Connector Seals(36)



Circular Power Connectors(513)



Insertion & Extraction Tools(1)



Power Contacts(6)



Sealing Sleeves(2)



Unscreened Circular Connector Backshells & Clamps(56)

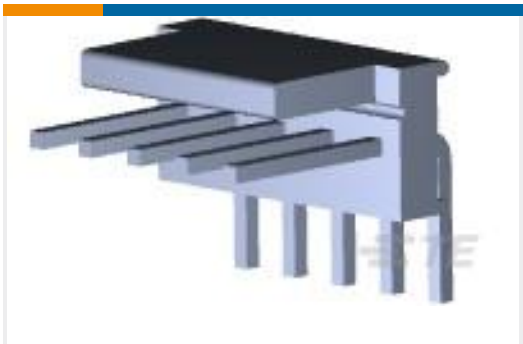
Customers Also Bought



TE Part #1-796329-1
23-57 CPC PSTD SKT RECPT LF



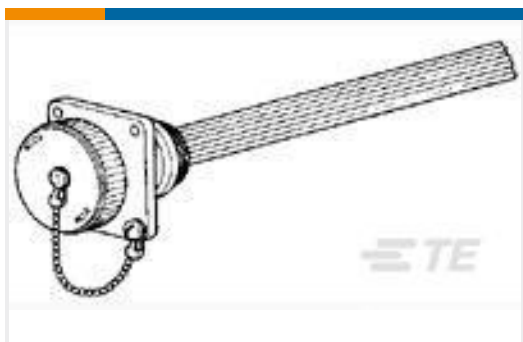
TE Part #320634
PIDG RING TONGUE TERMINALS



TE Part #640455-5
05P MTA100 HDR ASSY SQ R/A POL



TE Part #2-2176230-2
3522 47R 5% 3W



TE Part #208800-1
SEALING CAP ASSY,SZ 11,CPC



TE Part #213856-4
CPC RECPT ASSEMBLY SIZE 23-37



TE Part #1-206852-2
CPC RECPT ASSEMBLY SIZE 11-9



TE Part #2-1879453-7
TE 1000W 150R 5% Bracket

Documents



Product Drawings

CPC RECEPT ASSEMBLY SIZE 11-8

English

CAD Files

Customer View Model

[ENG_CVM_CVM_1-208657-1_AF.2d_dxf.zip](#)

English

3D PDF

3D

Customer View Model

[ENG_CVM_CVM_1-208657-1_AF.3d_igs.zip](#)

English

Customer View Model

[ENG_CVM_CVM_1-208657-1_AF.3d_stp.zip](#)

English

By downloading the CAD file I accept and agree to the [Terms and Conditions](#) of use.

Datasheets & Catalog Pages

AMP Circular Connectors for Commercial Signal & Power Applications

English

Product Specifications

Connector, Circular Plastic

English

Product Specification

English

Product Environmental Compliance

Product Compliance

English

Product Compliance

English

Agency Approvals

CSA Certificate

English