

**RoHS  
Compliant**



## Description

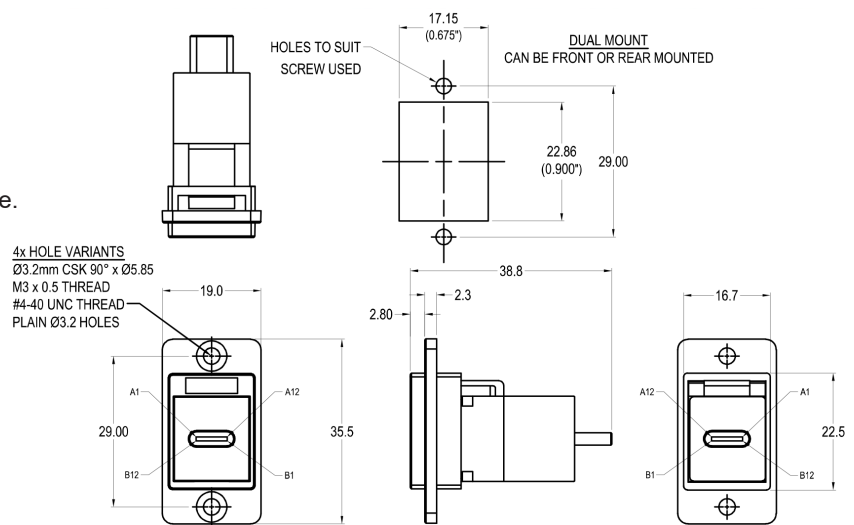
Dualslim USB-C Female-Male Metal Frame Feedthrough Connector  
Can be front or rear mounted in the panel

## Features

- Fits standard rectangular cutout.
- Front or rear mounting through the panel.
- Various hole mounting options.
- No soldering or punch termination.  
Use standard cable for each connector style.
- Low rear profile.

## Specification

Maximum Rated Current - 3A  
Maximum Working Voltage - 30V  
Withstanding Voltage - 100V for 1 minute.  
Contact Resistance - 40 Milli-ohms Max.  
Insulation Resistance - 100 Mega-ohms Min.  
Insulator Flammability Rating - UL-94V0  
Insertion Life - 10,000 Cycles.



Note: Functionality is affected by cable quality, length and cable wiring configuration.

## Material

1. Insert: ABS - UL94 HB
2. Frame: Diecast, Nickel or Black plated

Dimensions : Millimetres

## Part Number Table

Description	Part Number
USB Adapter, CSK Hole, USB Type C Receptacle to Plug, Feed Through	MP008768

**Important Notice** : This data sheet and its contents (the "Information") belong to the members of the AVNET group of companies (the "Group") or are licensed to it. No licence is granted for the use of it other than for information purposes in connection with the products to which it relates. No licence of any intellectual property rights is granted. The Information is subject to change without notice and replaces all data sheets previously supplied. The Information supplied is believed to be accurate but the Group assumes no responsibility for its accuracy or completeness, any error in or omission from it or for any use made of it. Users of this data sheet should check for themselves the Information and the suitability of the products for their purpose and not make any assumptions based on information included or omitted. Liability for loss or damage resulting from any reliance on the Information or use of it (including liability resulting from negligence or where the Group was aware of the possibility of such loss or damage arising) is excluded. This will not operate to limit or restrict the Group's liability for death or personal injury resulting from its negligence. Multicomp Pro is the registered trademark of Premier Farnell Limited 2019.

Newark.com/multicomp-pro  
Farnell.com/multicomp-pro  
sg.element14.com/b/multicomp-pro