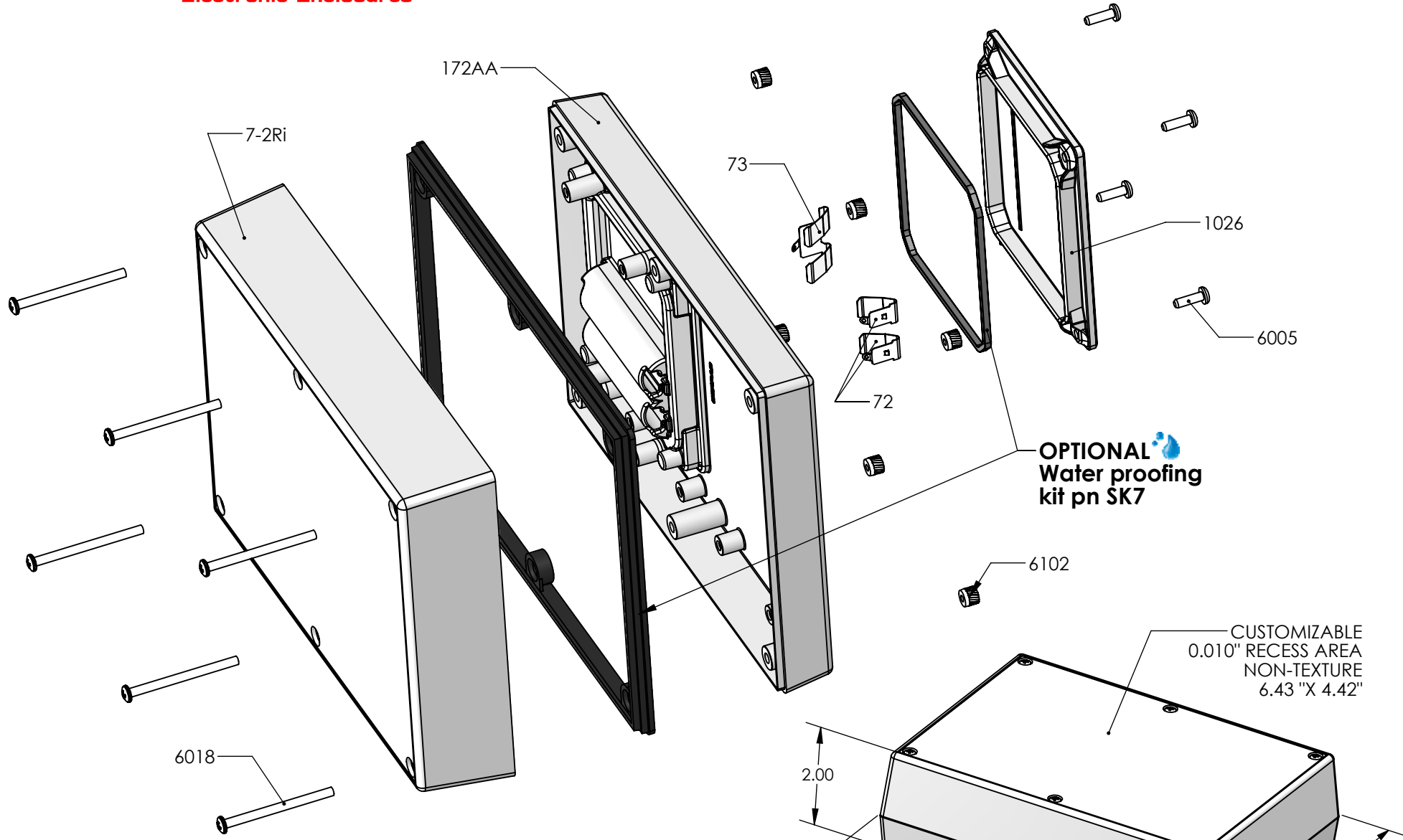


SERPAC 172Ri2AA (exploded isometric)

Electronic Enclosures



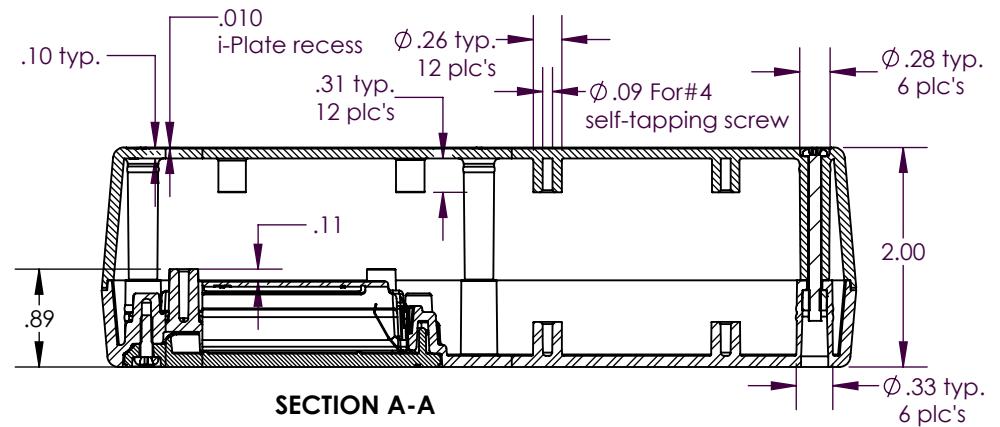
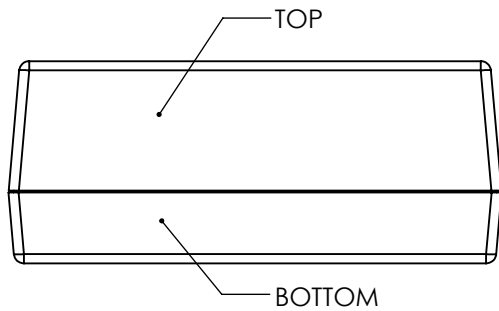
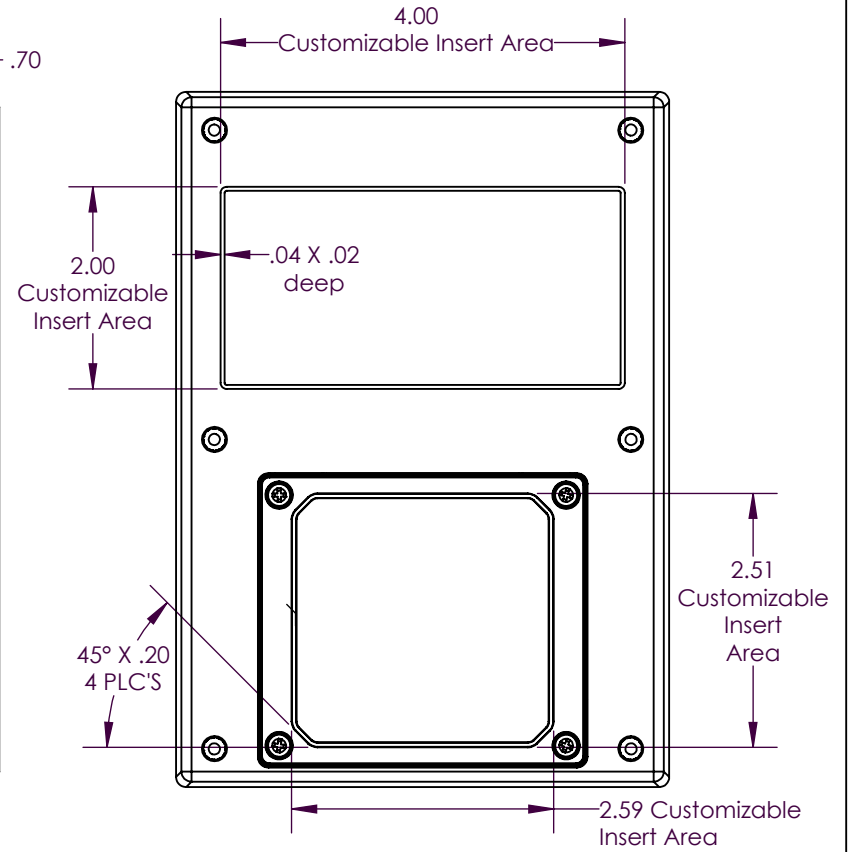
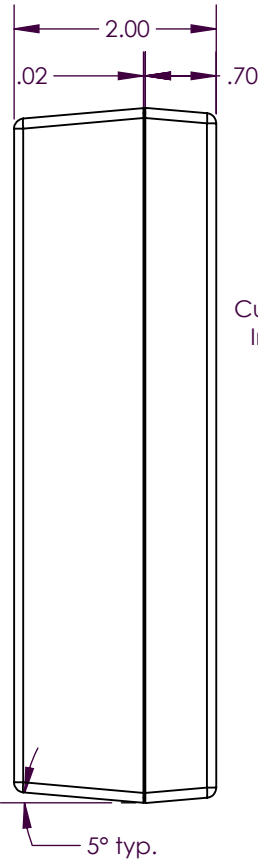
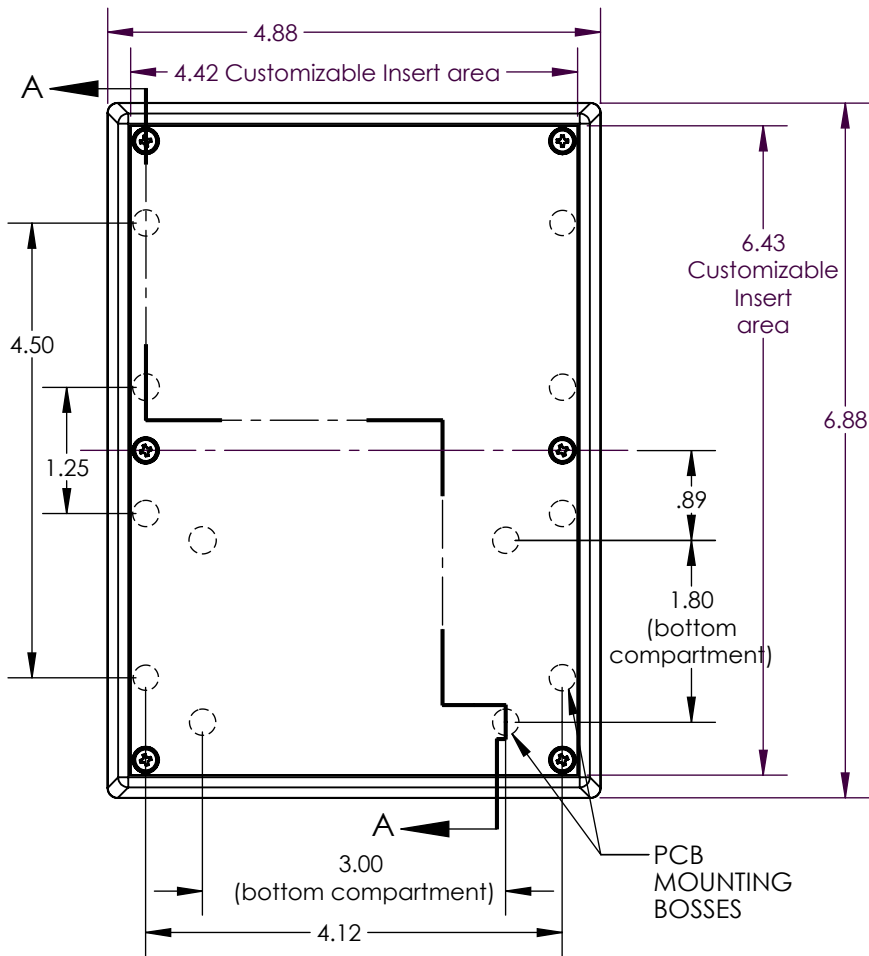
PART NO.	DESCRIPTION (Included)	PART NO.	DESCRIPTION
7-2Ri	Top	50	Non-skid Feet
172AA	2AA Bottom	SK7	Seal Kit for 17X
1026	Access Door		
6005	#4 X 3/8" Self-Tapping Screw (4)		
6018	4-40 X 1.5" Screw (6)		
6102	4-40 Threaded Insert (6)		
73	Double Battery Contact		
72	Single Battery Contact (2)		

Notes:

- 1) Enclosure weight .51 lb / 232 g
- 2) When used with SK7 the enclosure meets or exceeds IP 67 and NEMA 4X, 12 and 13 MIL-STD-810G 506.5 (.03 lb / 14g)
- 3) Circuit Board drawings see sheet 3.
- 4) All components are RoHS Compliant.

SERPAC 172Ri2AA

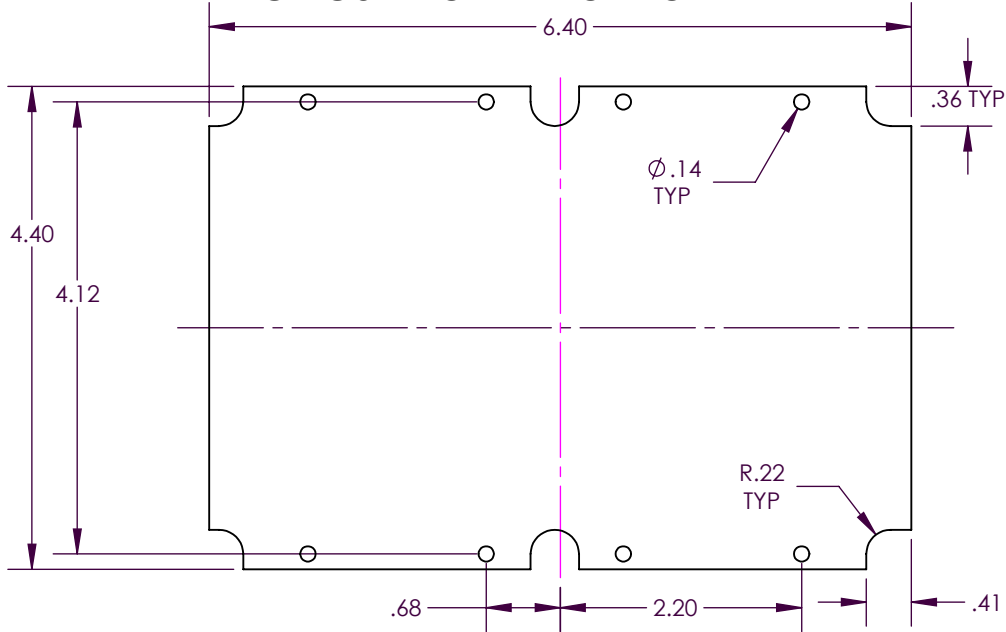
Electronic Enclosures



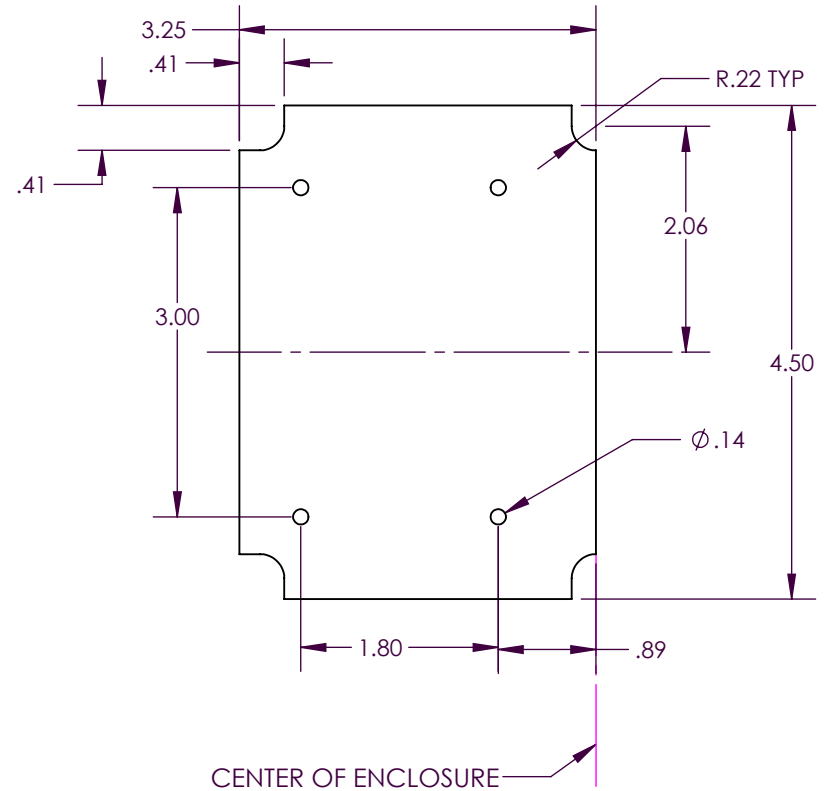
SERPAC PCB for 17X compartment enclosures

Electronic Enclosures

CIRCUIT BOARD FOR TOP



CIRCUIT BOARD FOR BOTTOM



SMALL CIRCUIT BOARD FOR BOTTOM

