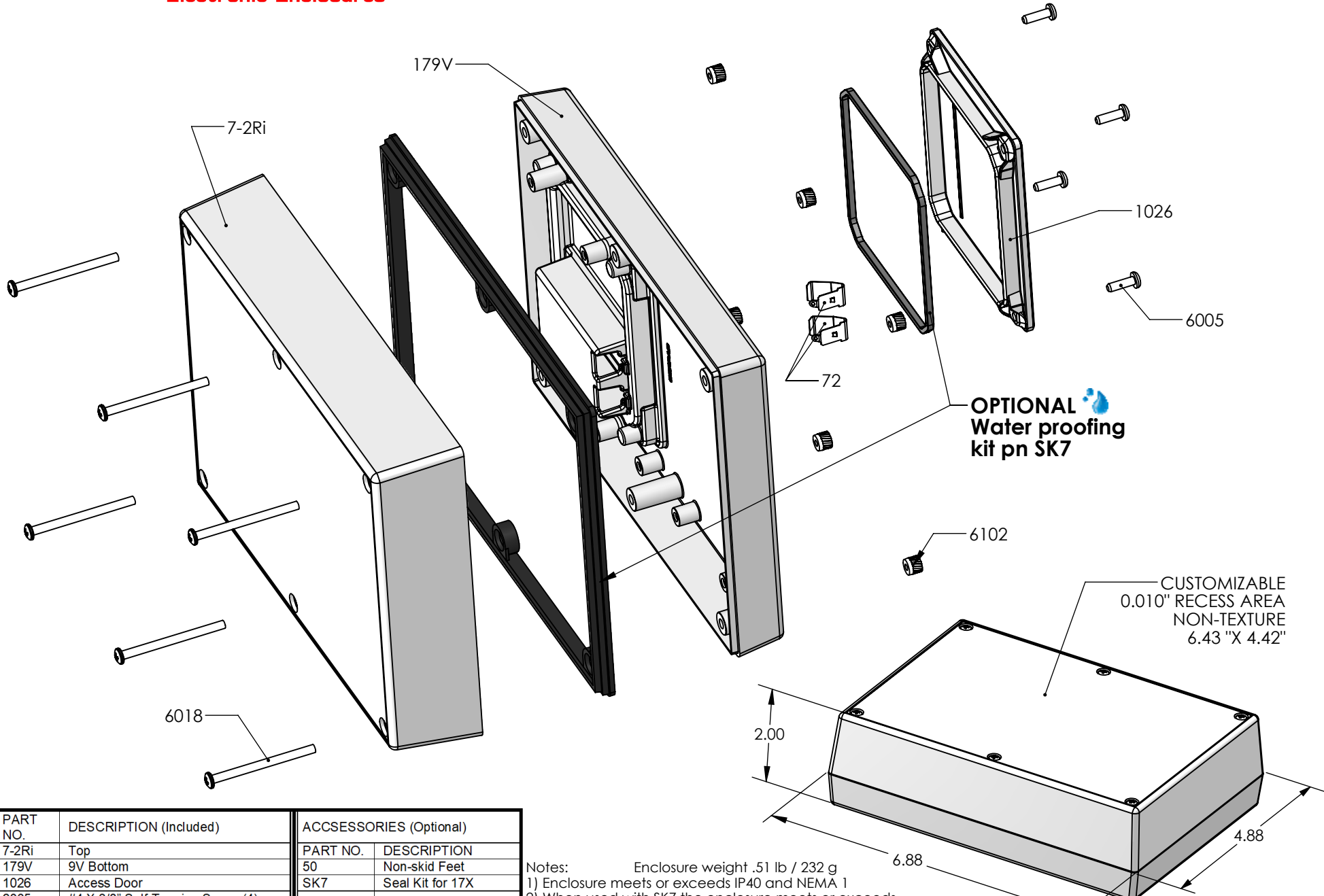


SERPAC 172Ri9V (exploded isometric)

Electronic Enclosures



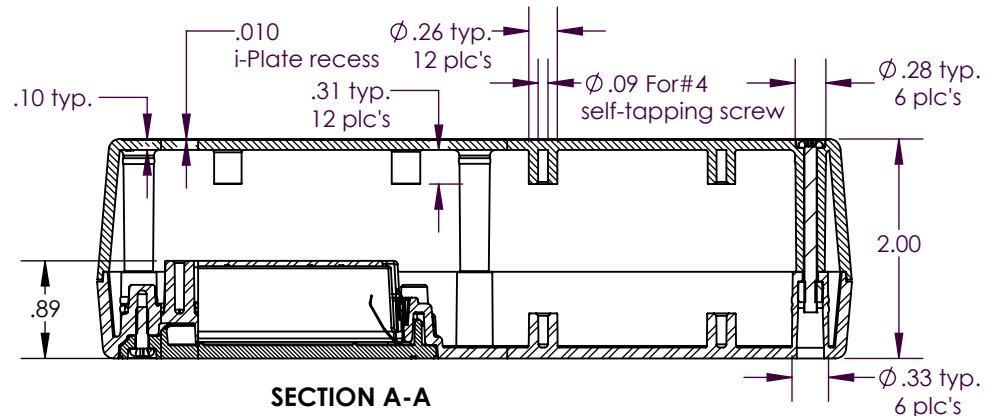
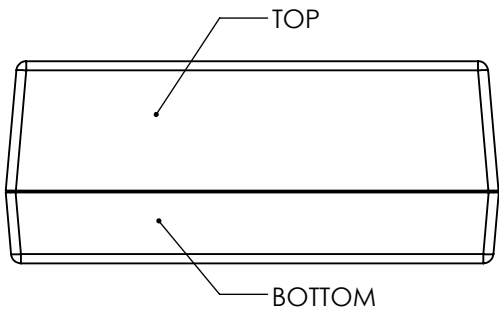
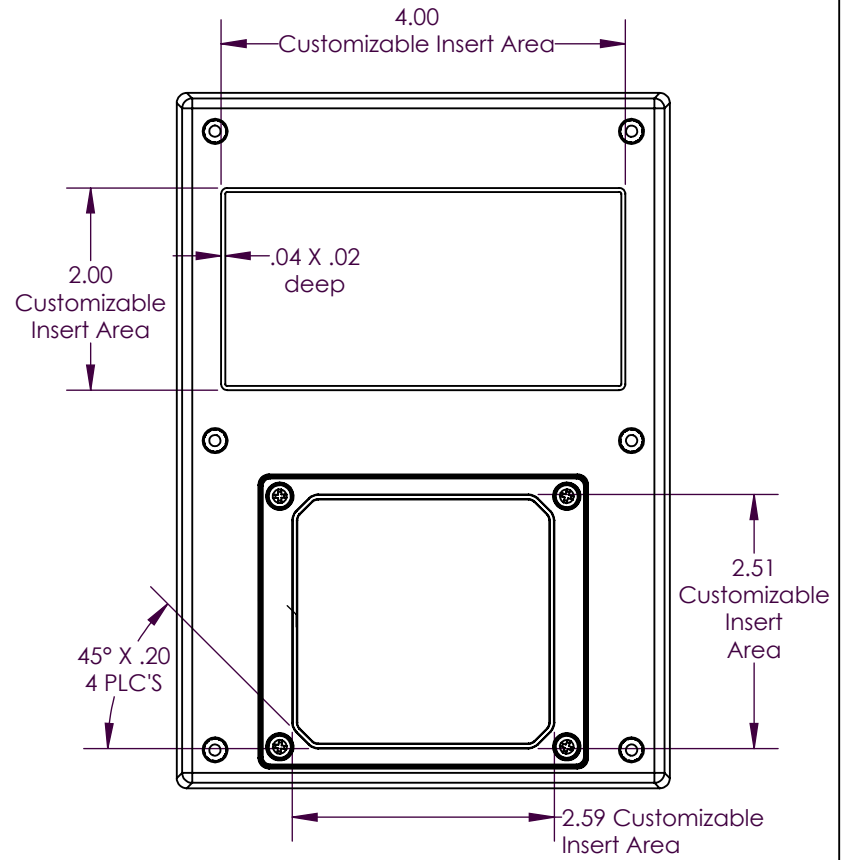
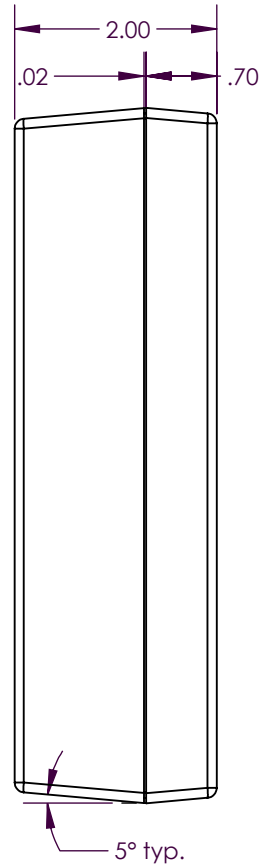
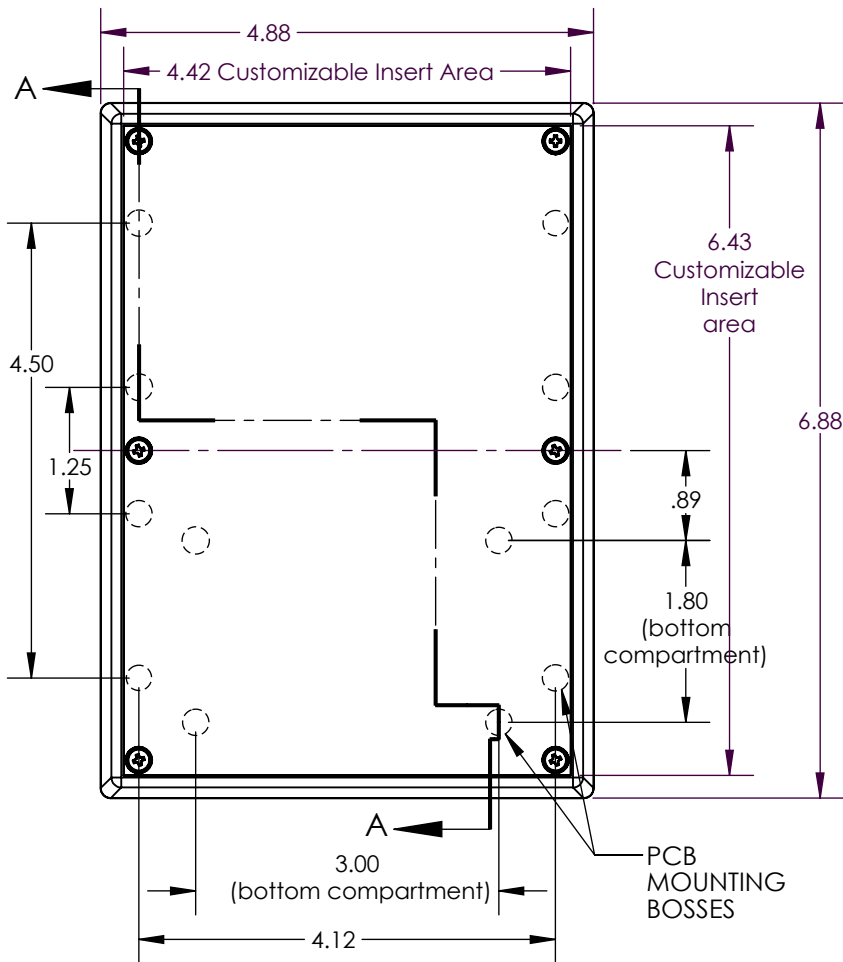
PART NO.	DESCRIPTION (Included)	ACCESSORIES (Optional)
7-2Ri	Top	PART NO. DESCRIPTION
179V	9V Bottom	50 Non-skid Feet
1026	Access Door	SK7 Seal Kit for 17X
6005	#4 X 3/8" Self-Tapping Screw (4)	
6018	4-40 X 2" Screw (6)	
6102	4-40 Threaded Insert (6)	
72	Single Battery Contact (2)	

- Notes:
- 1) Enclosure weight .51 lb / 232 g
 - 2) When used with SK7 the enclosure meets or exceeds IP 67 and NEMA 4X, 12 and 13 MIL-STD-810G 506.5 (.03 lb / 14g)
 - 3) Circuit Board drawings see sheet 3.
 - 4) All components are RoHS Compliant.

ALL DIMENSIONS ARE ± .010" 9/10/2021 (1 of 3)
 2009 Wright Ave. La Verne, CA 91750
 Ph. (626) 331-0517 Fx. (626) 331-8584 serpac.com

SERPAC 172Ri9V

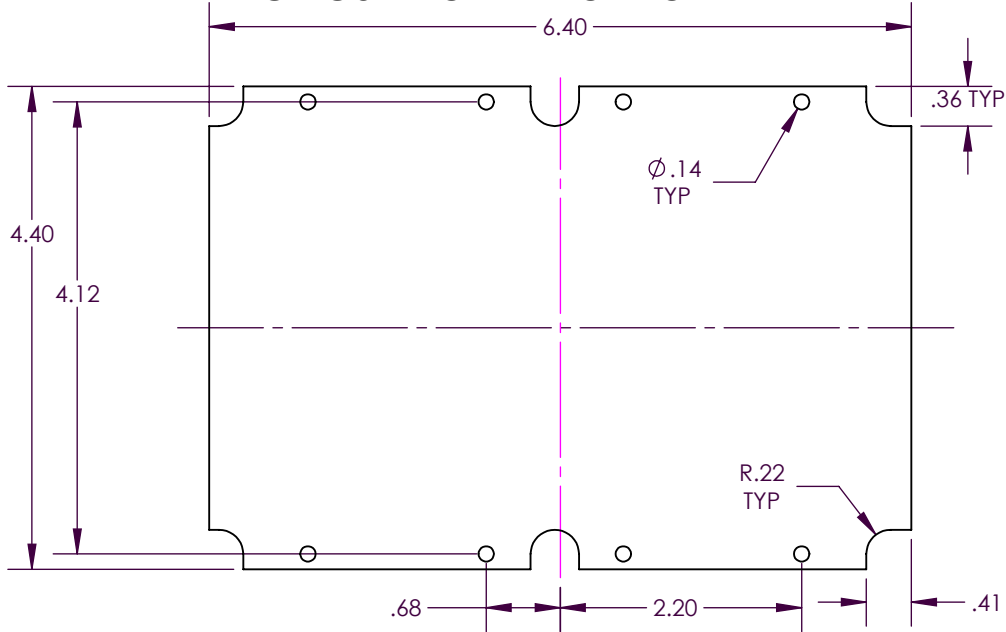
Electronic Enclosures



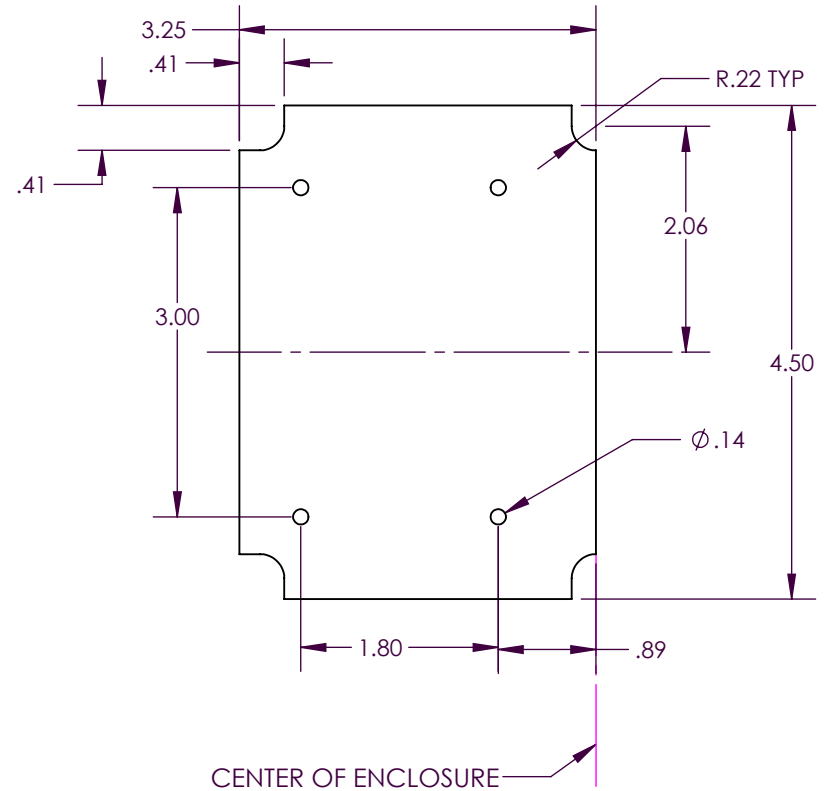
SERPAC PCB for 17X compartment enclosures

Electronic Enclosures

CIRCUIT BOARD FOR TOP



CIRCUIT BOARD FOR BOTTOM



SMALL CIRCUIT BOARD FOR BOTTOM

