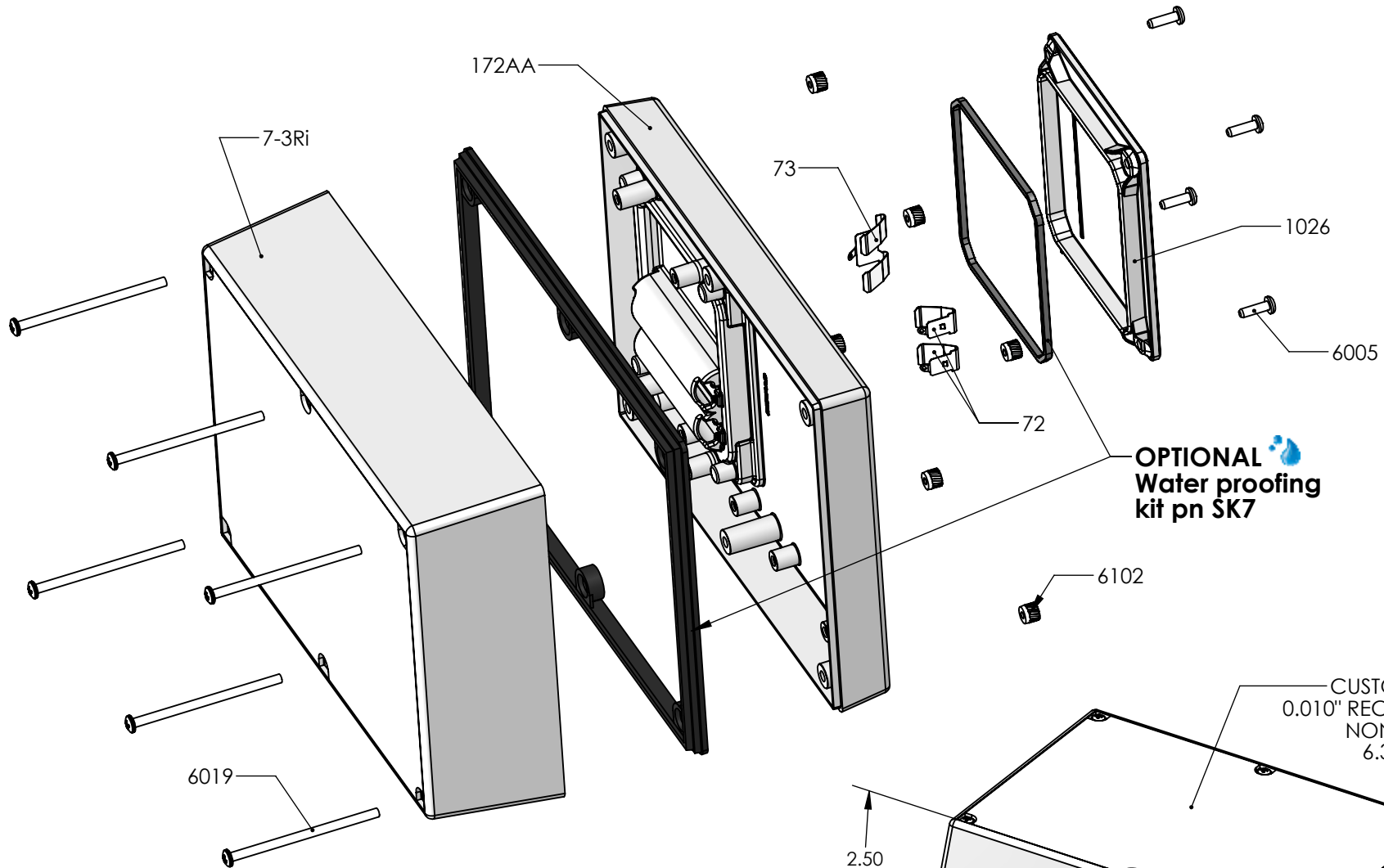


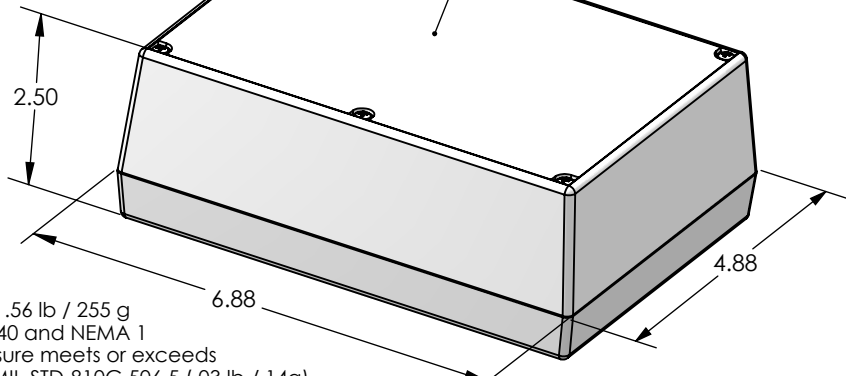
# SERPAC 173Ri2AA (exploded isometric)

Electronic Enclosures



**OPTIONAL**  
Water proofing  
kit pn SK7

CUSTOMIZABLE  
0.010" RECESS AREA  
NON-TEXTURE  
6.37" X 4.37"

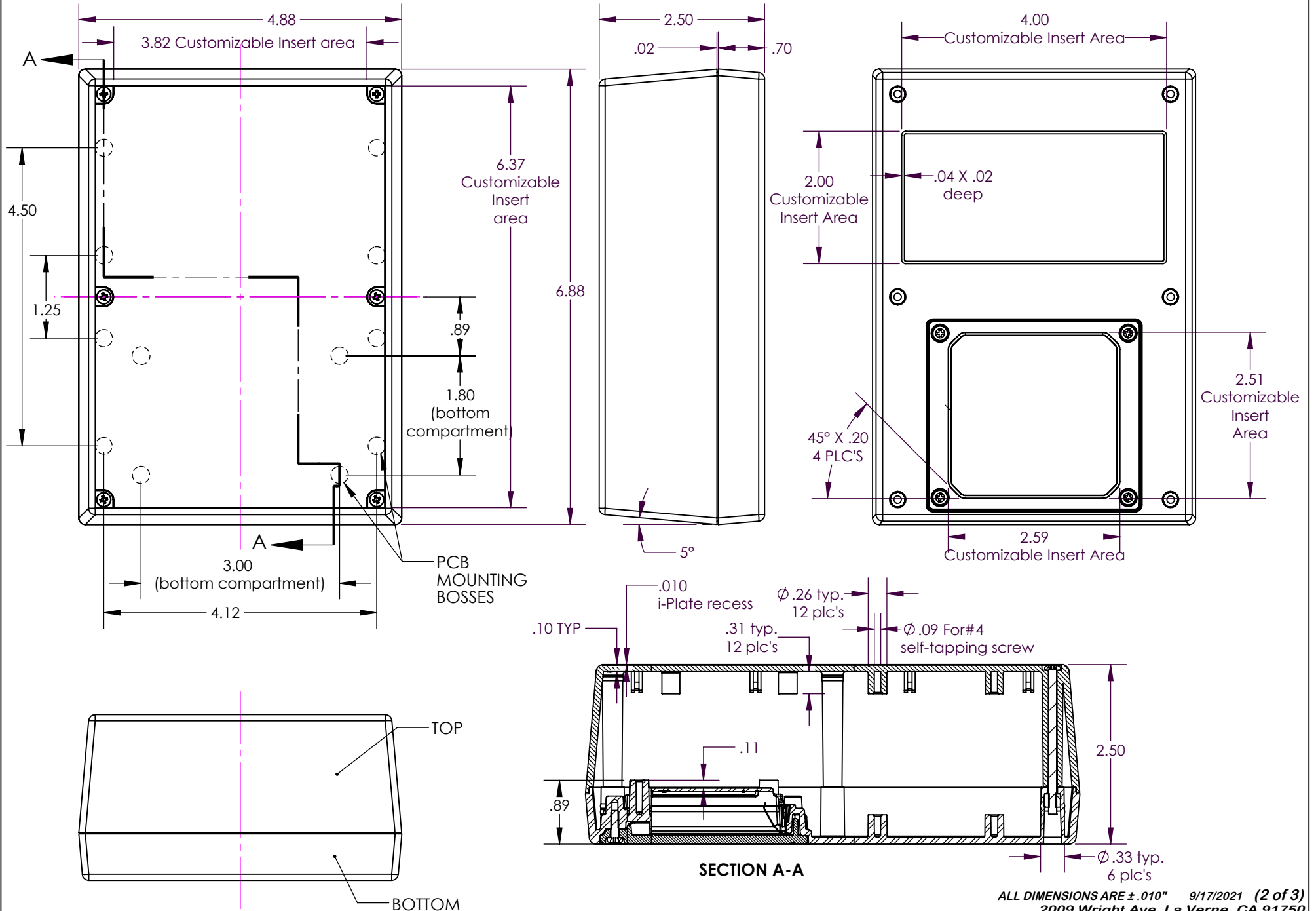


PART NO.	DESCRIPTION (Included)	ACCESSORIES (Optional)
7-3Ri	Top	PART NO. DESCRIPTION
172AA	2AA Bottom	50 Non-skid Feet
1026	Access Door	SK7 Seal Kit for 17X
6005	#4 X 3/8" Self-Tapping Screw (4)	
6019	4-40 X 2" Screw (6)	
6102	4-40 Threaded Insert (6)	
73	Double Battery Contact	
72	Single Battery Contact (2)	

- Notes:
- 1) Enclosure weight .56 lb / 255 g
  - 2) When used with SK7 the enclosure meets or exceeds IP 67 and NEMA 4X, 12 and 13 MIL-STD-810G 506.5 (.03 lb / 14g)
  - 3) Circuit Board drawings see sheet 3.
  - 4) All components are RoHS Compliant.

# SERPAC 173Ri2AA

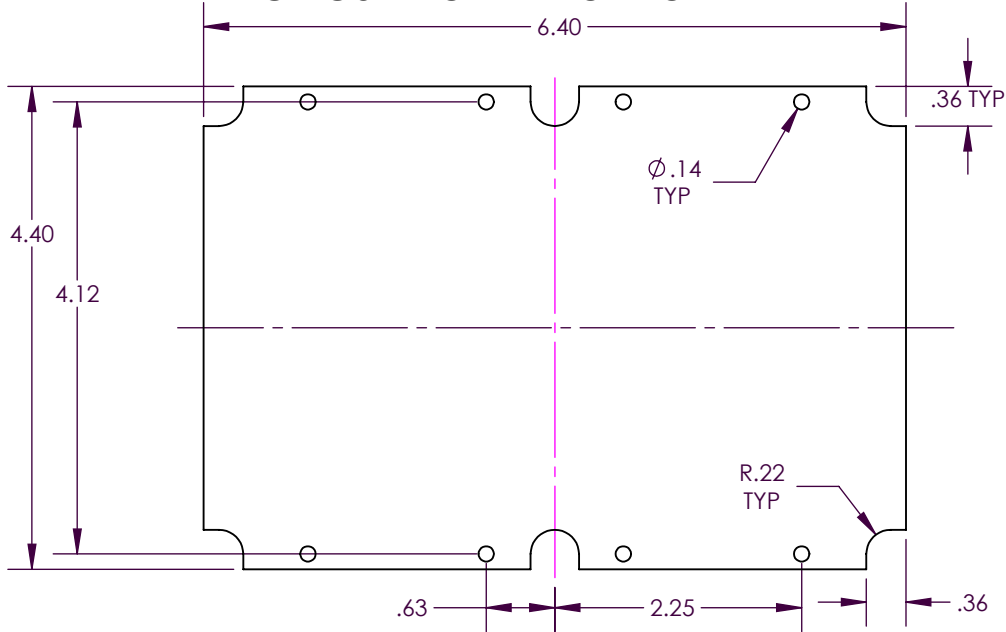
Electronic Enclosures



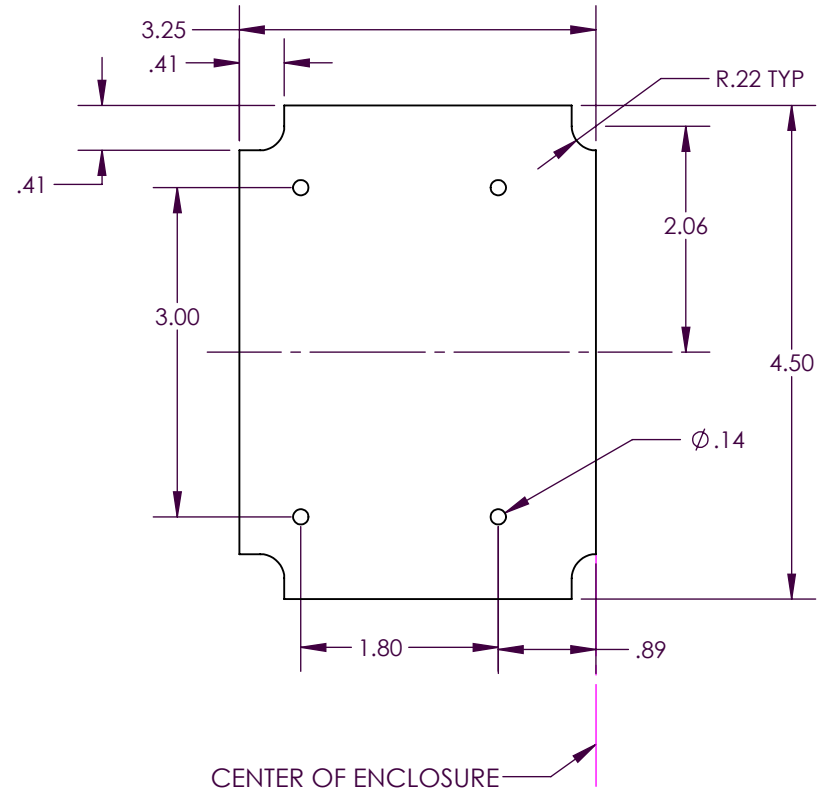
# SERPAC PCB for 173 compartment enclosures

Electronic Enclosures

**CIRCUIT BOARD FOR TOP**



**CIRCUIT BOARD FOR BOTTOM**



**SMALL CIRCUIT BOARD FOR BOTTOM**

