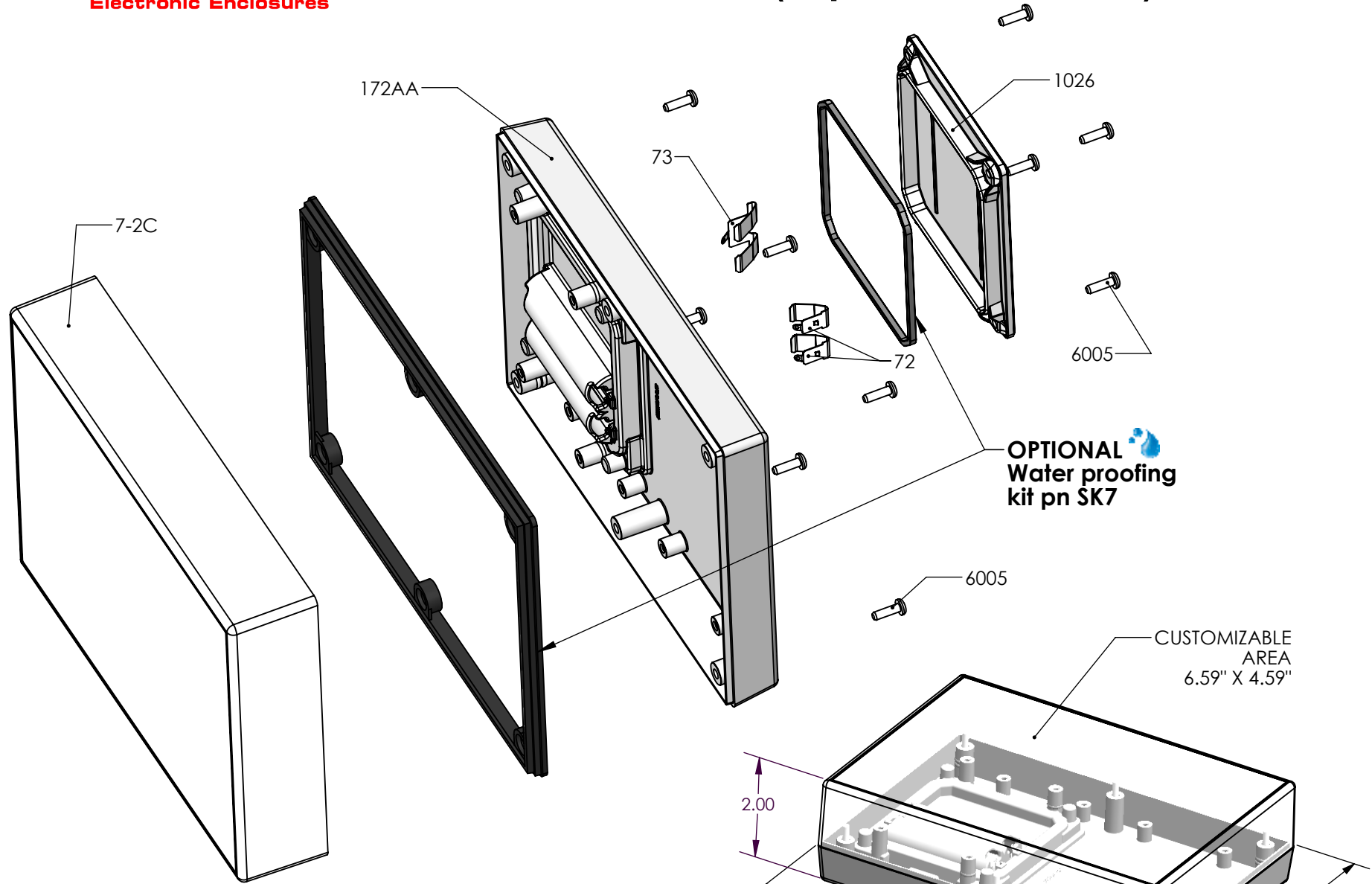


# SERPAC 172C2AA (exploded isometric)

Electronic Enclosures



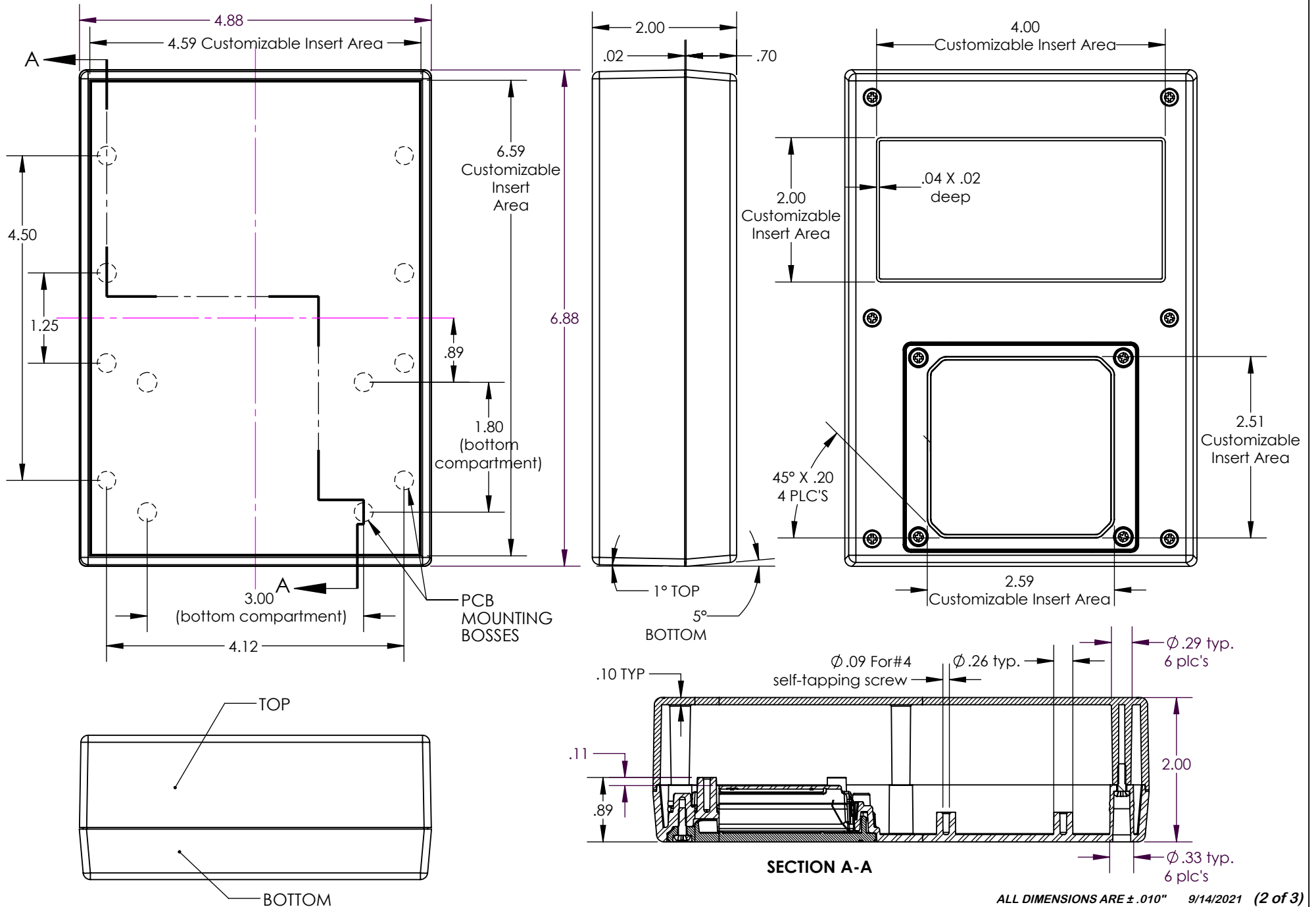
PART NO.	DESCRIPTION (Included)	ACCESSORIES (Optional)
7-2C	Top Clear	PART NO. DESCRIPTION
172AA	2AA Bottom	50 Non-skid Feet
1026	Access Door	SK7 Seal Kit for 17X
6005	#4X3/8" Self-Tapping Screw (10)	
72	Single Battery contact (2)	
73	Double Battery contact	

Notes: Enclosure weight .47 lb / 214 g  
 1) Enclosure meets or exceeds IP40 and NEMA 1  
 2) When used with SK7 the enclosure meets or exceeds IP 67 and NEMA 4X, 12 and 13 MIL-STD-810G 506.5 (.03 lb / 14 g)  
 3) Circuit Board drawings see sheet 3.  
 4) All components are RoHS Compliant.

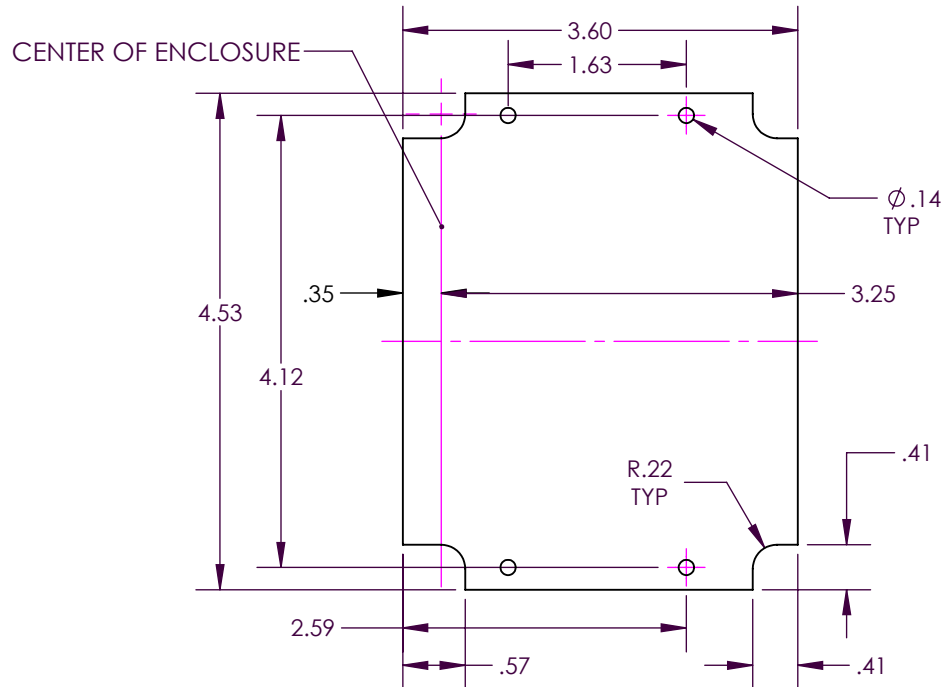
ALL DIMENSIONS ARE ± .010" 9/14/2021 (1 of 3)  
 2009 Wright Ave. La Verne, CA 91750  
 Ph. (626) 331-0517 Fx. (626) 331-8584 serpac.com

# SERPAC 172C2AA

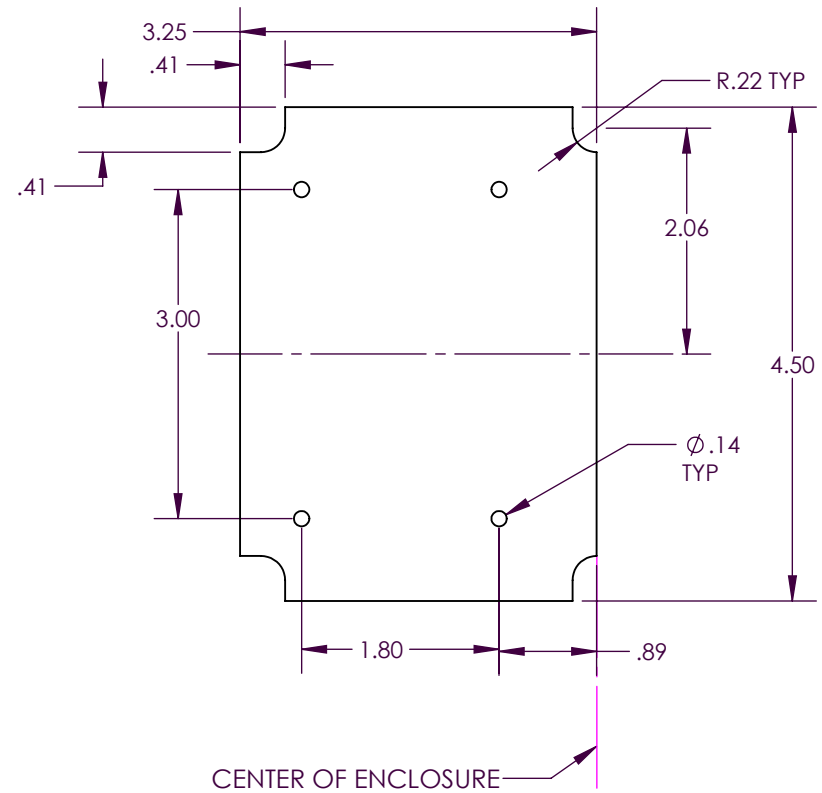
Electronic Enclosures



## SMALL CIRCUIT BOARD FOR BOTTOM



## CIRCUIT BOARD FOR BOTTOM



**TYP CIRCUIT BOARD THICKNESS**