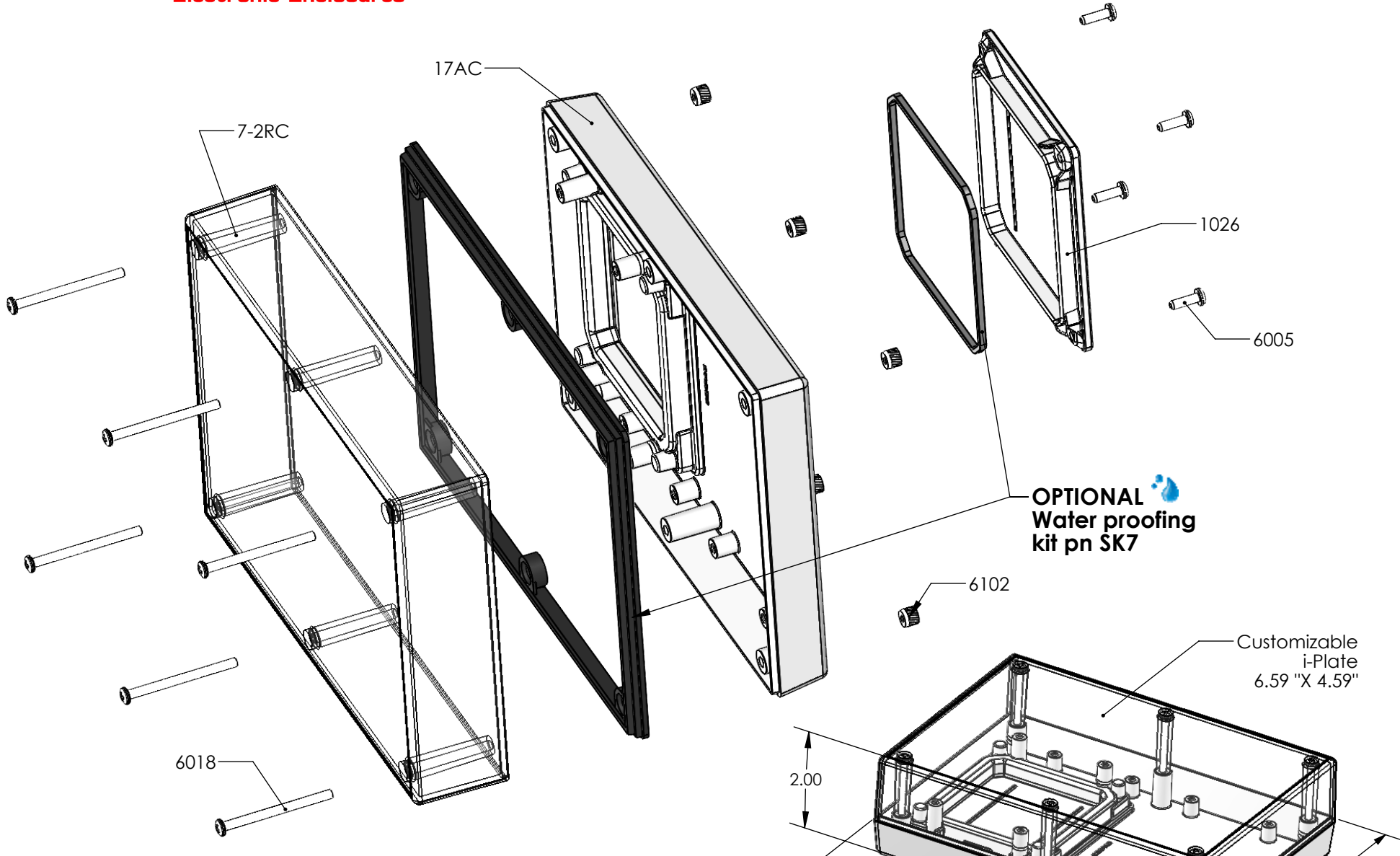


SERPAC 172RCAC (exploded isometric)

Electronic Enclosures

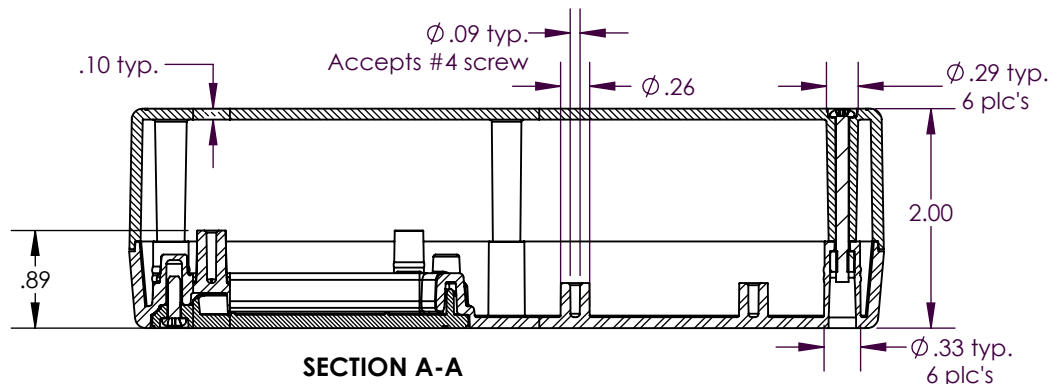
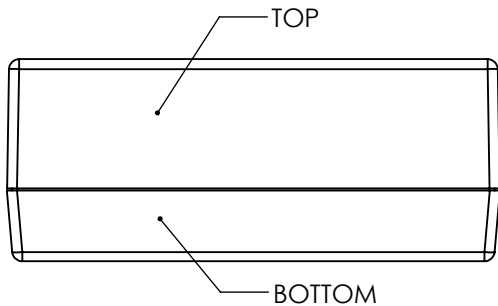
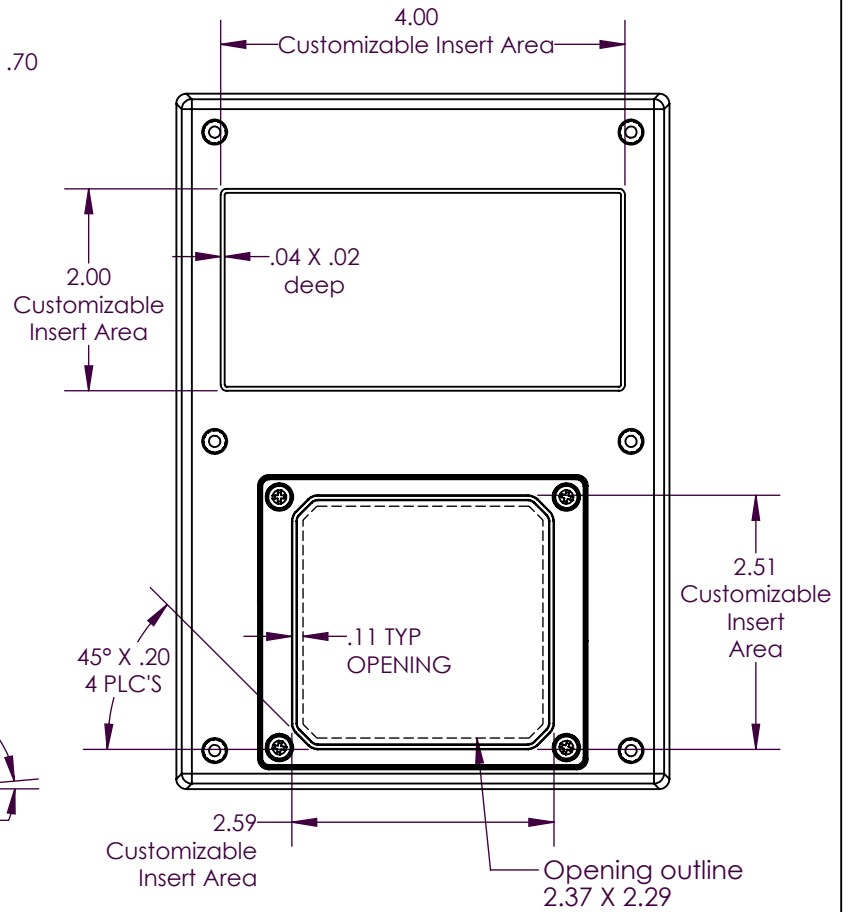
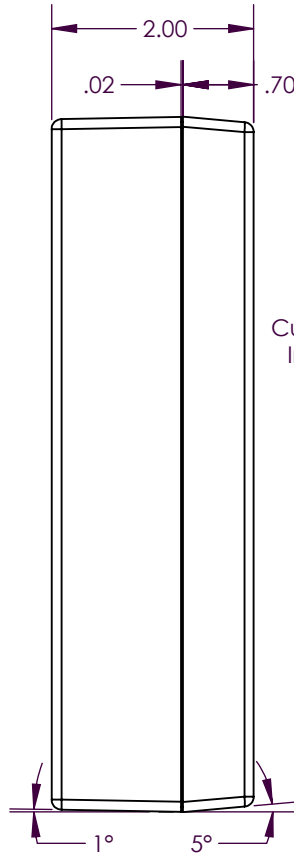
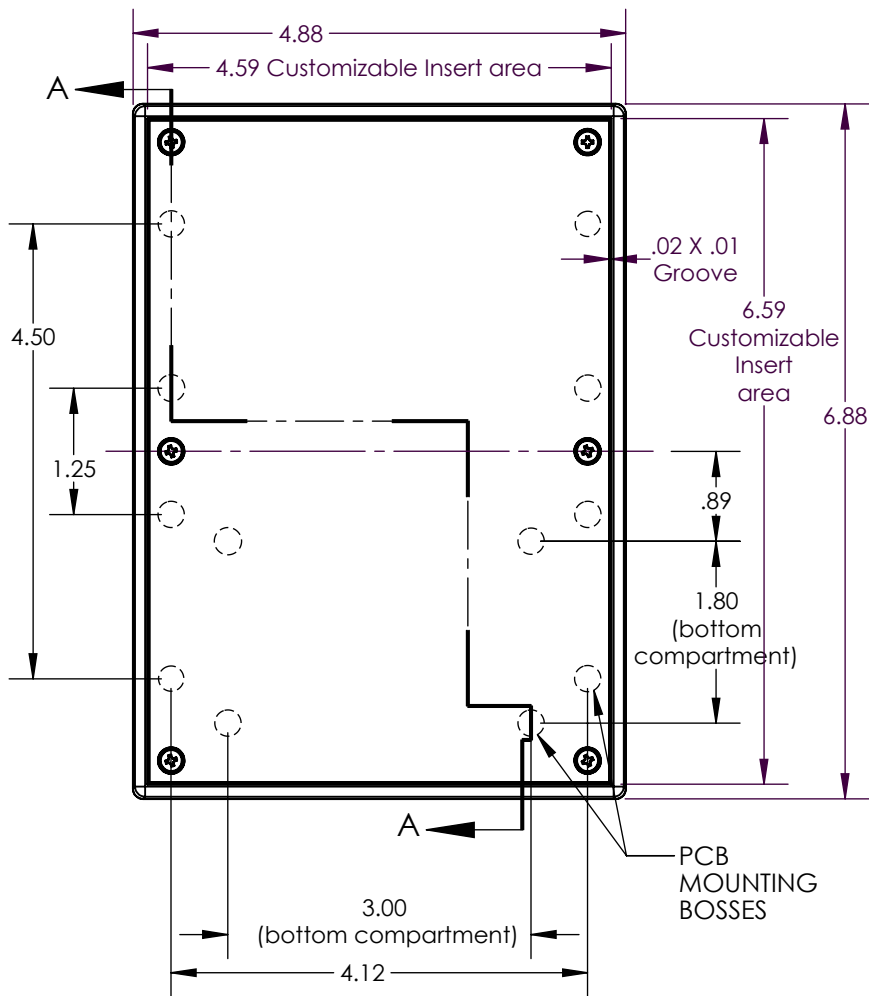


PART NO.	DESCRIPTION (Included)	ACCESSORIES (Optional)
7-2RC	Clear Top	
17AC	AC Bottom	
1026	Access Door	
6005	#4 X 3/8" Self-Tapping Screw (4)	
6018	4-40 X 1 1/2" Screw (6)	
6102	4-40 Threaded Insert (6)	

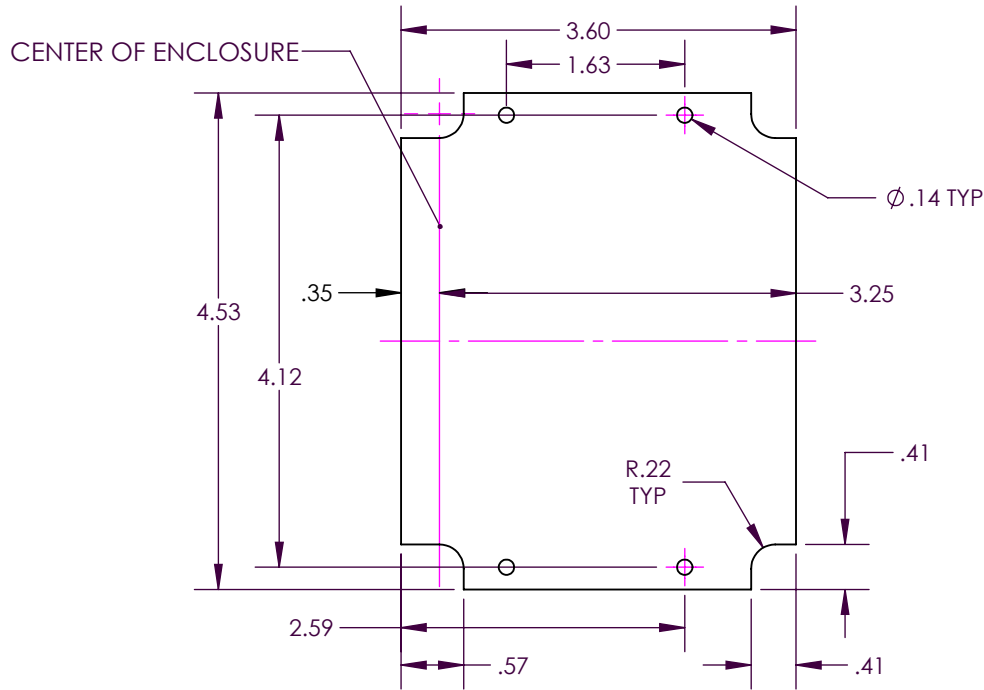
Notes: Enclosure weight .51 lb / 232 g
 1) Enclosure meets or exceeds IP40 and NEMA 1
 2) When used with SK7 the enclosure meets or exceeds IP 67 and NEMA 4X, 12 and 13 MIL-STD-810G 506.5 (.03 lb / 14g)
 3) Circuit Board drawings see sheet 3.
 4) All components are RoHS Compliant.

SERPAC 172RCAC

Electronic Enclosures



SMALL CIRCUIT BOARD FOR BOTTOM



CIRCUIT BOARD FOR BOTTOM

