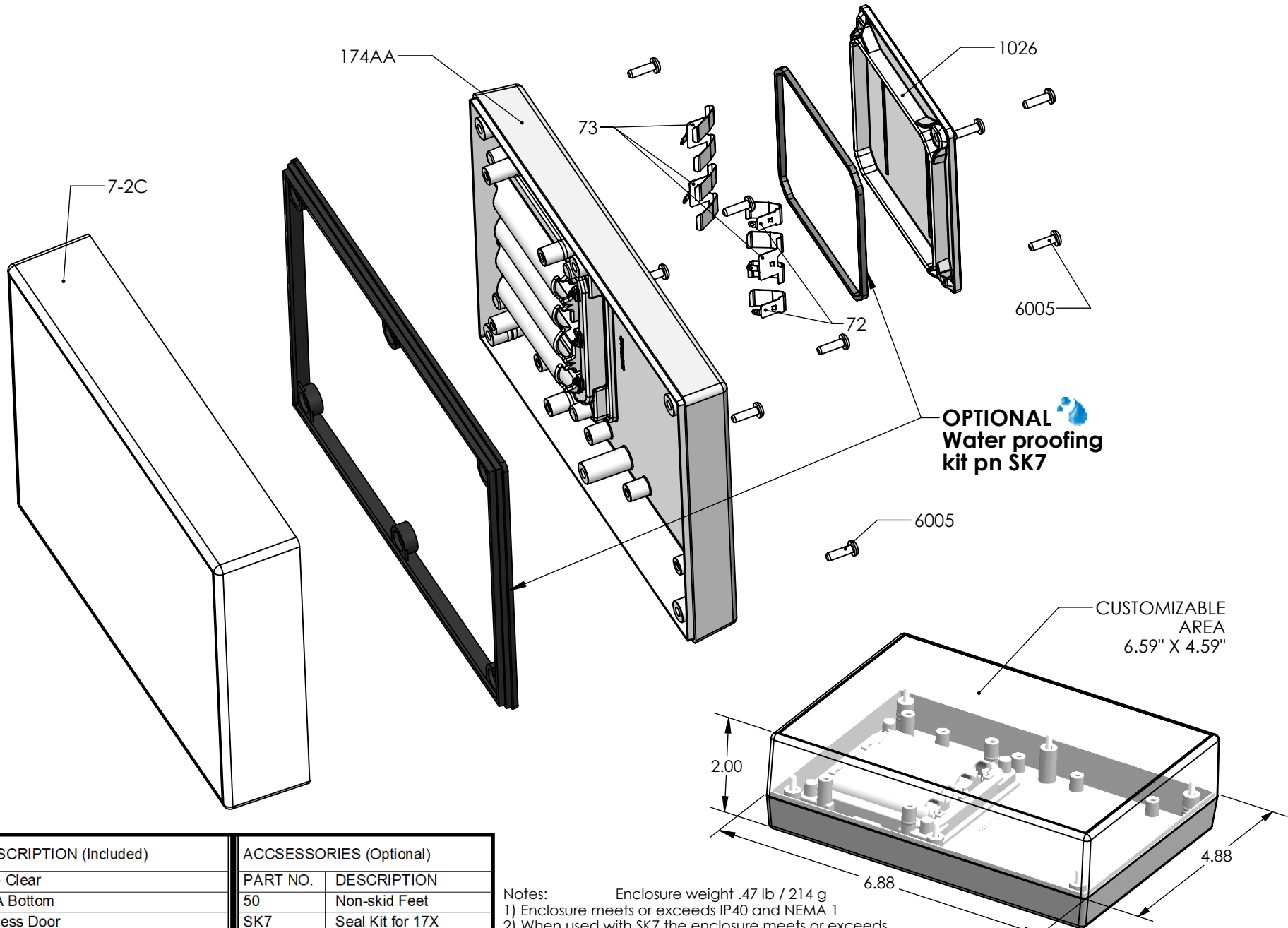


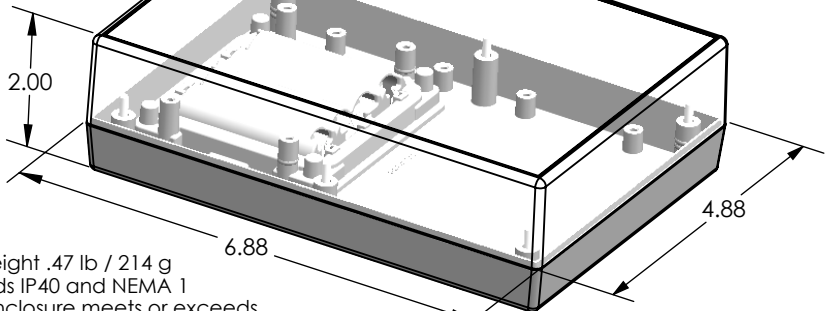
SERPAC 172C4AA (exploded isometric)

Electronic Enclosures



OPTIONAL
Water proofing
kit pn SK7

CUSTOMIZABLE
AREA
6.59" X 4.59"

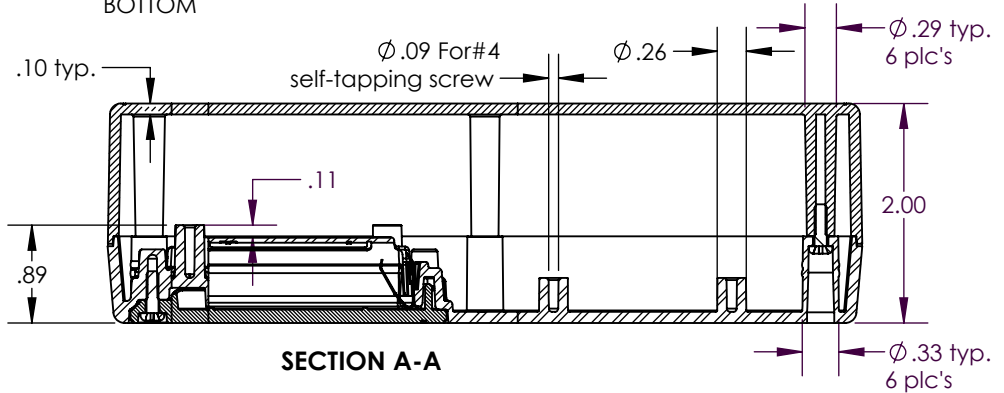
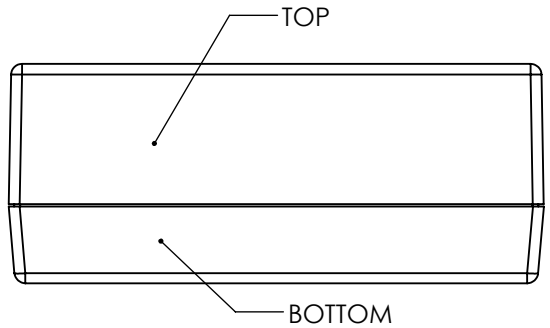
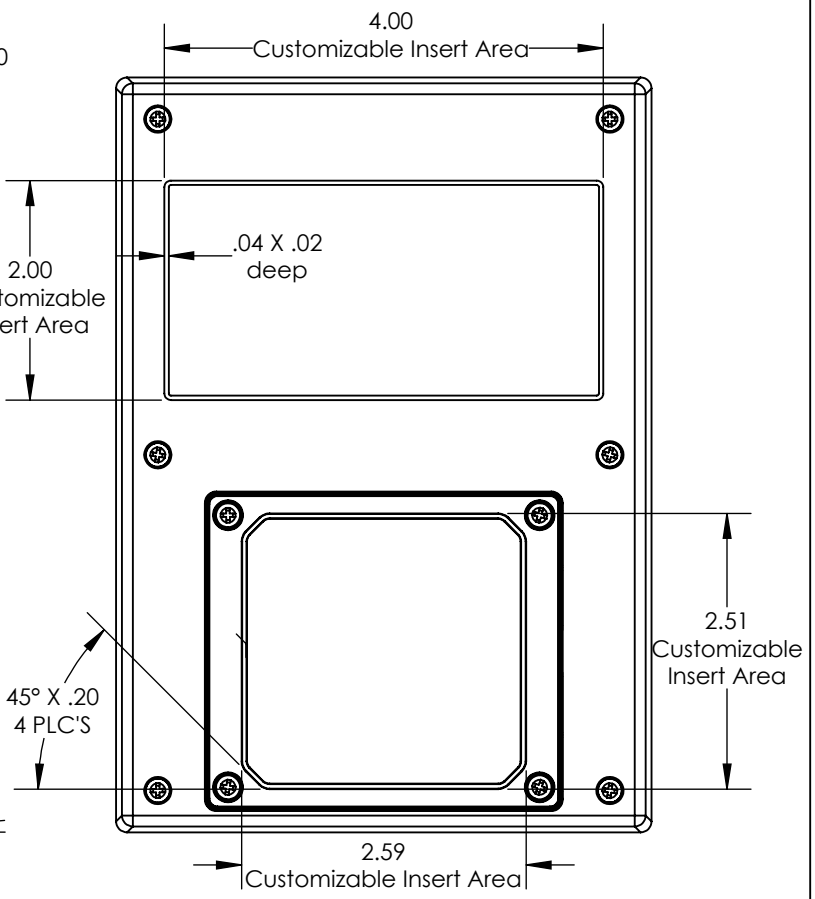
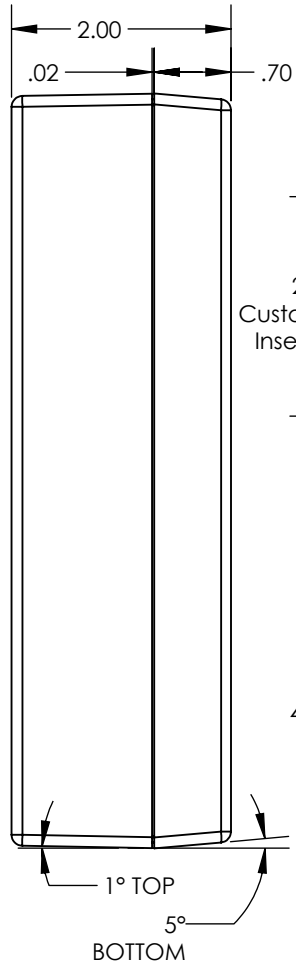
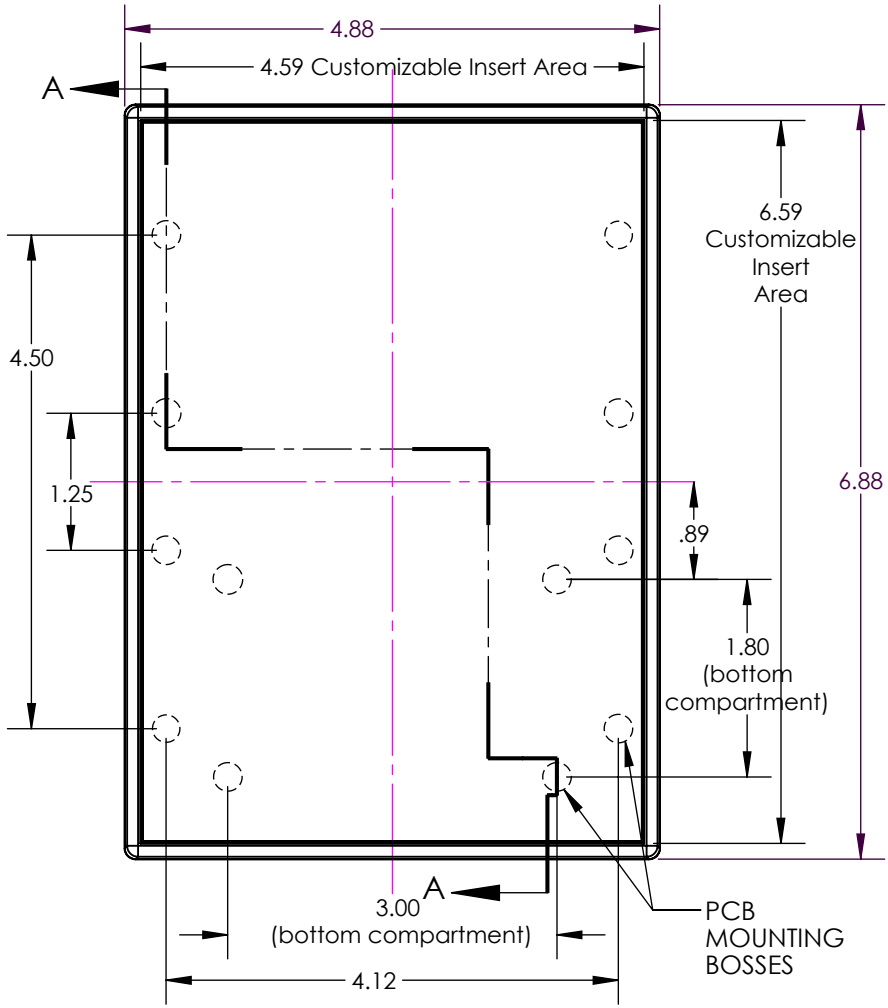


PART NO.	DESCRIPTION (Included)	ACCESSORIES (Optional)	
7-2C	Top Clear	PART NO.	DESCRIPTION
174AA	4AA Bottom	50	Non-skid Feet
1026	Access Door	SK7	Seal Kit for 17X
6005	#4X3/8" Self-Tapping Screw (10)		
72	Single Battery contact (2)		
73	Double Battery contact (3)		

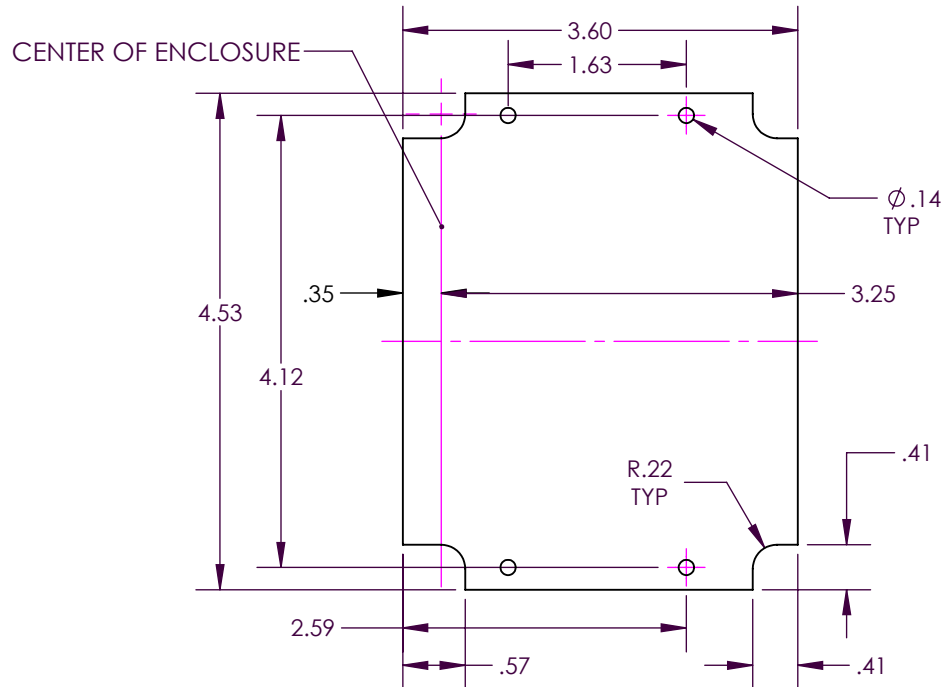
Notes:
 1) Enclosure weight .47 lb / 214 g
 2) When used with SK7 the enclosure meets or exceeds IP 67 and NEMA 4X, 12 and 13 MIL-STD-810G 506.5 (.03 lb / 14 g)
 3) Circuit Board drawings see sheet 3.
 4) All components are RoHS Compliant.

SERPAC 172C4AA

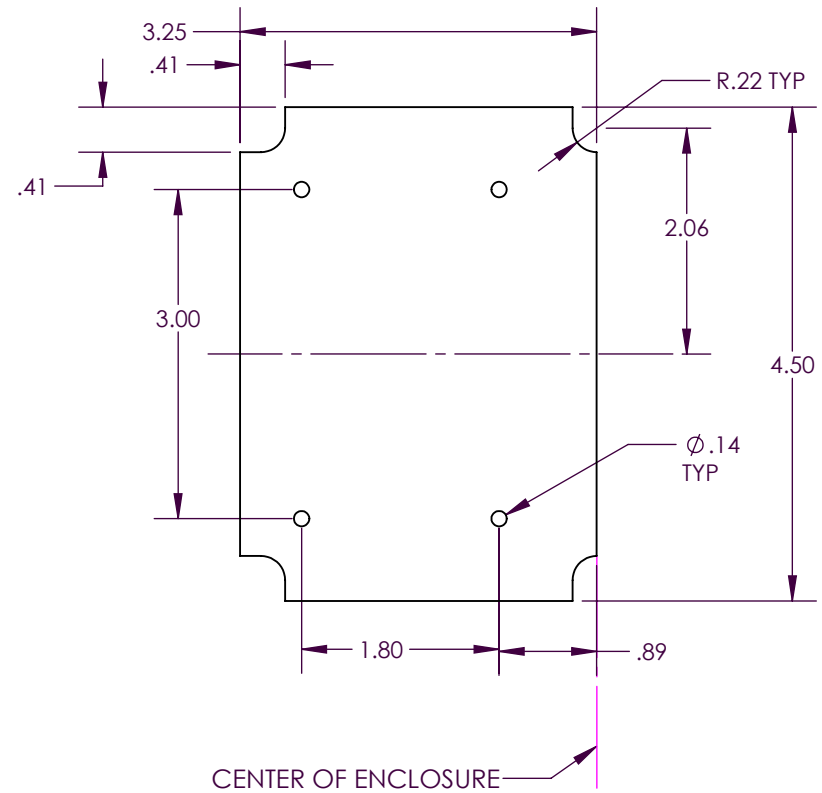
Electronic Enclosures



SMALL CIRCUIT BOARD FOR BOTTOM



CIRCUIT BOARD FOR BOTTOM



TYP CIRCUIT BOARD THICKNESS