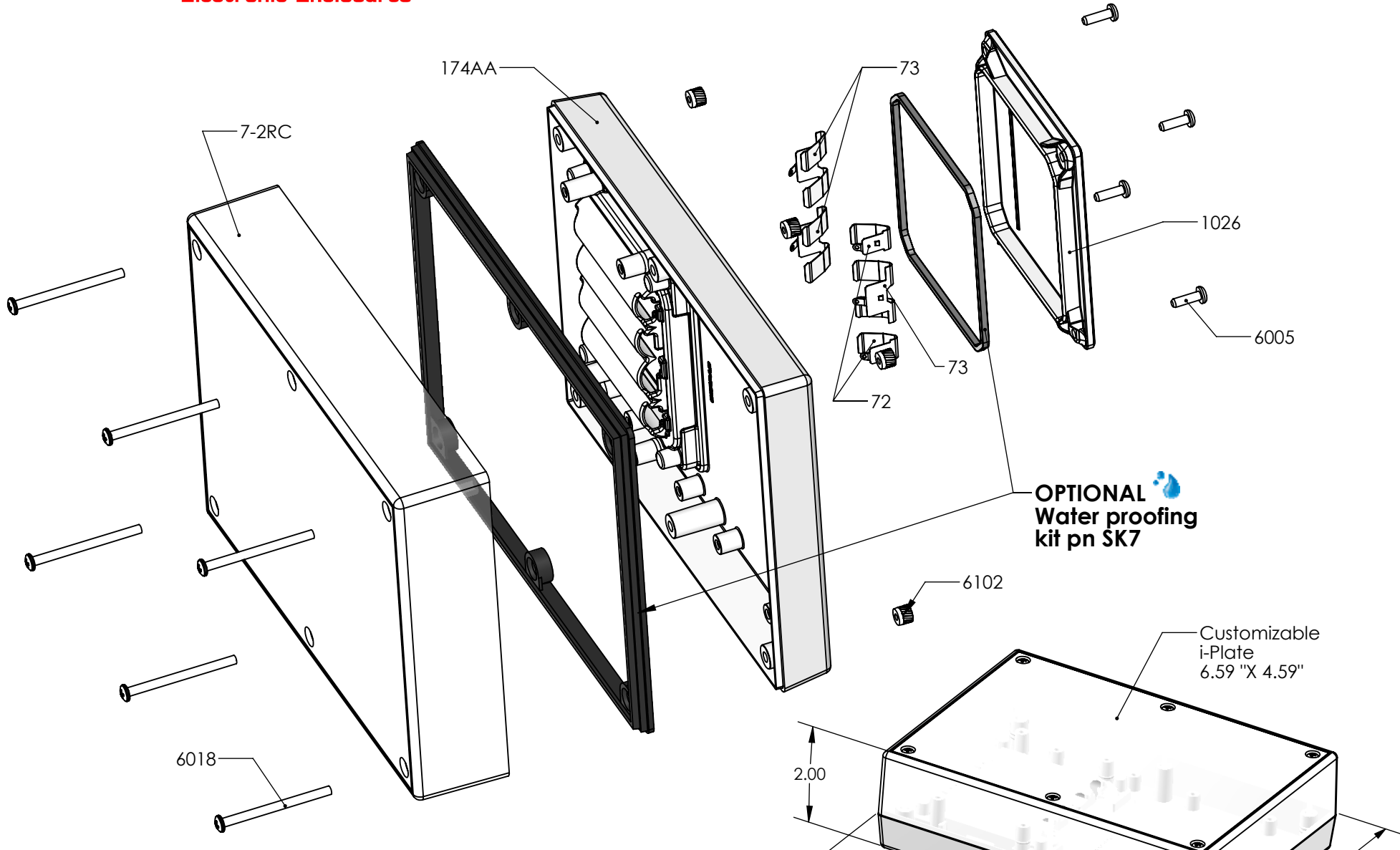


SERPAC 172RC4AA (exploded isometric)

Electronic Enclosures



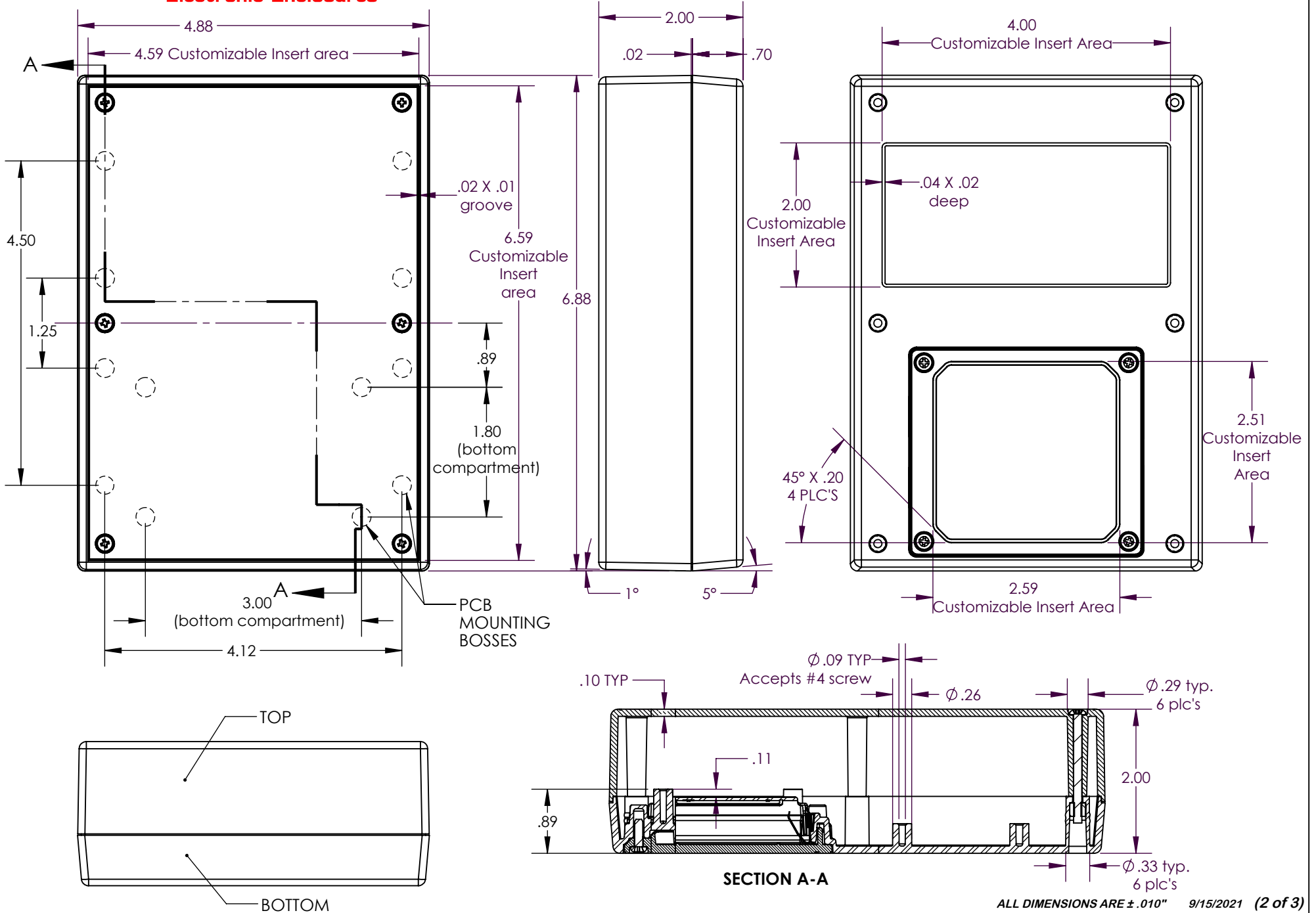
PART NO.	DESCRIPTION (Included)	PART NO.	DESCRIPTION (Optional)
7-2RC	Clear Top	50	Non-skid Feet
174AA	4AA Bottom	SK7	Seal Kit for 17X
1026	Access Door		
6005	#4 X 3/8" Self-Tapping Screw (4)		
6018	4-40 X 1 1/2" Screw (6)		
6102	4-40 Threaded Insert (6)		
73	Double Battery Contact (3)		
72	Single Battery Contact (2)		

- Notes:
- 1) Enclosure weight .51 lb / 232 g
 - 2) When used with SK7 the enclosure meets or exceeds IP 67 and NEMA 4X, 12 and 13 MIL-STD-810G 506.5 (.03 lb / 14g)
 - 3) Circuit Board drawings see sheet 3.
 - 4) All components are RoHS Compliant.

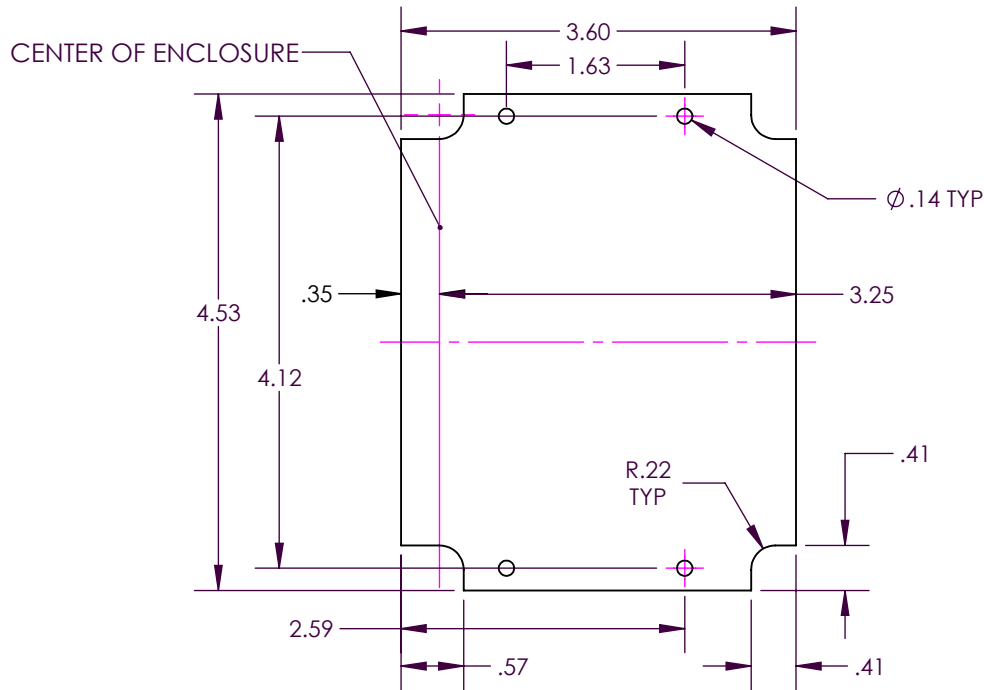
ALL DIMENSIONS ARE ± .010" 9/15/2021 (1 of 3)
 2009 Wright Ave. La Verne, CA 91750
 Ph. (626) 331-0517 Fx. (626) 331-8584 serpac.com

SERPAC 172RC4AA

Electronic Enclosures



SMALL CIRCUIT BOARD FOR BOTTOM



CIRCUIT BOARD FOR BOTTOM

