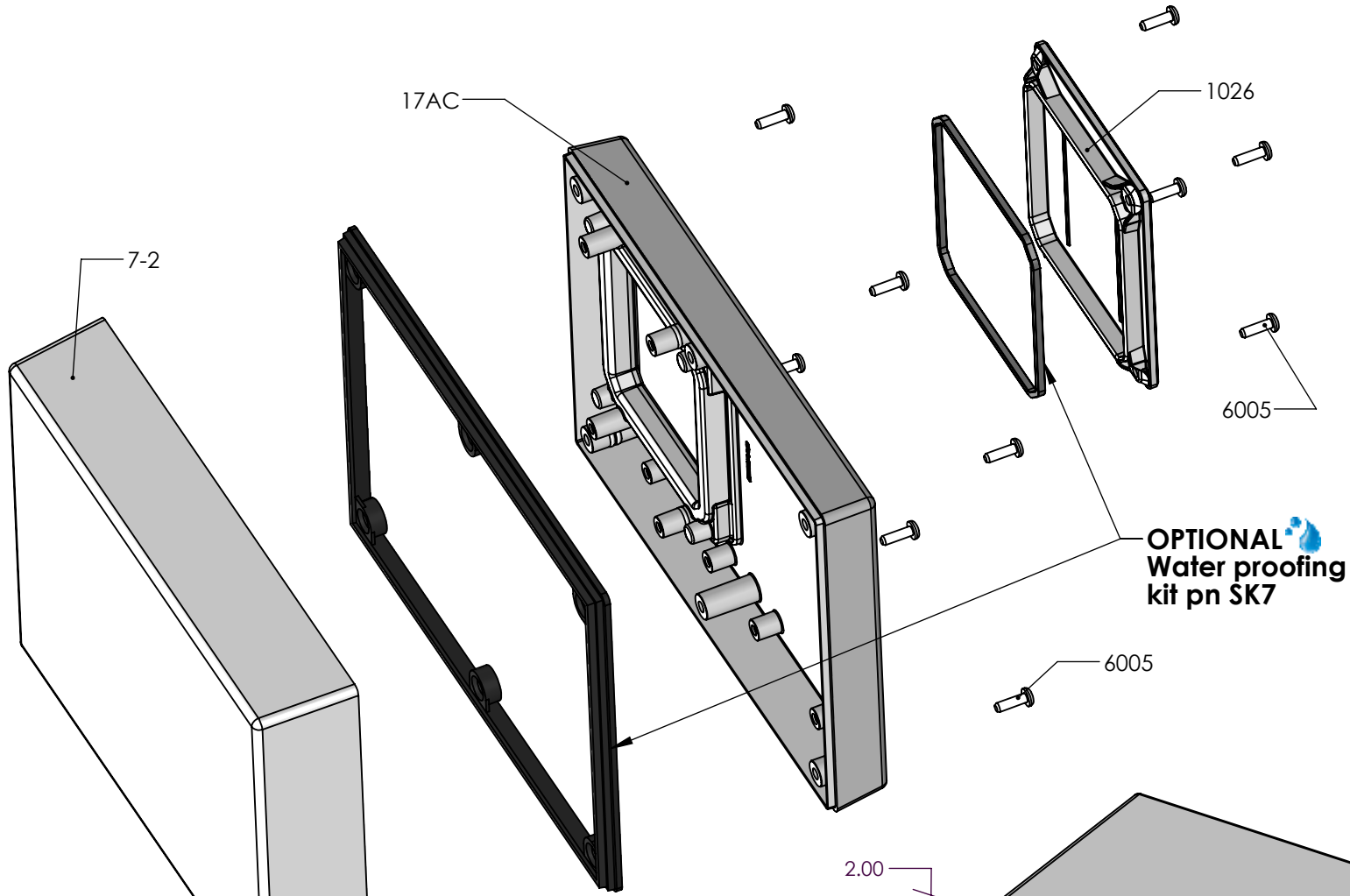
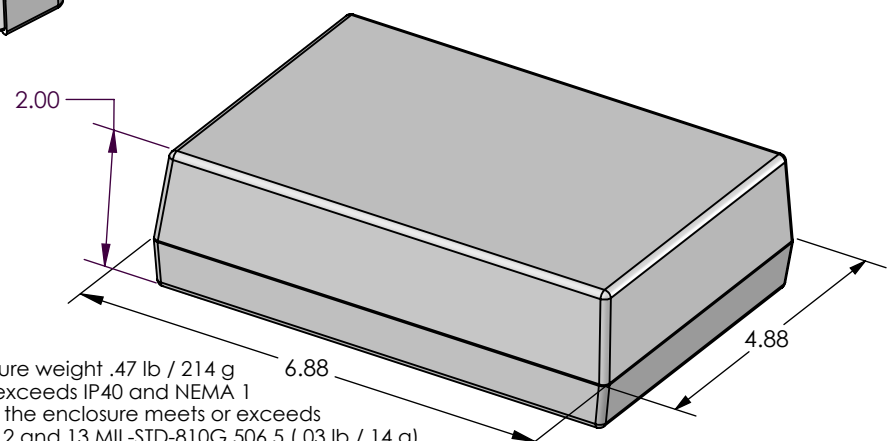


# SERPAC 172AC (exploded isometric)

Electronic Enclosures



**OPTIONAL**  
Water proofing  
kit pn SK7

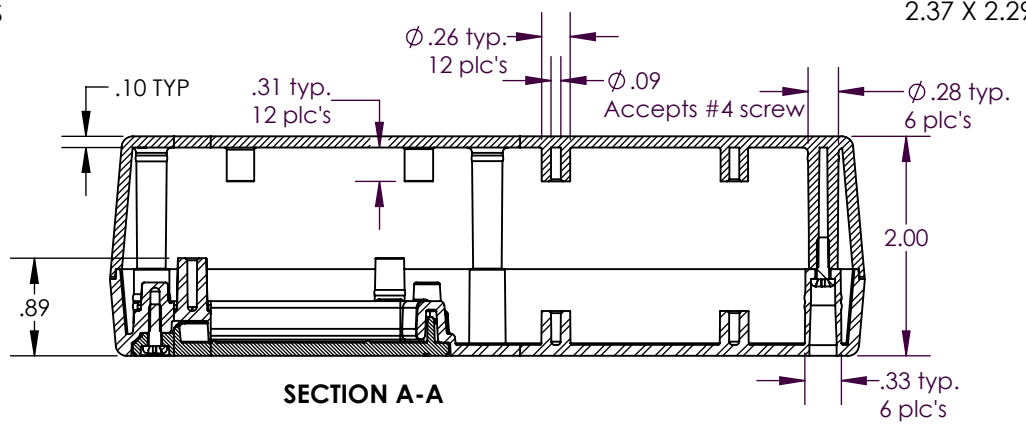
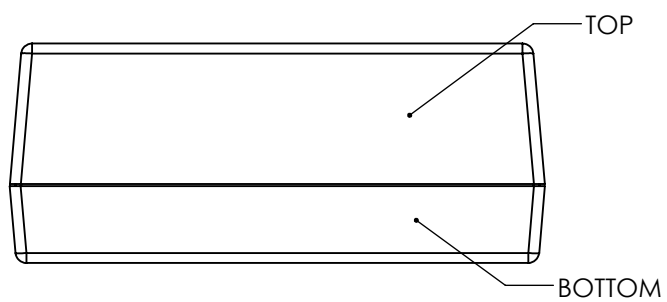
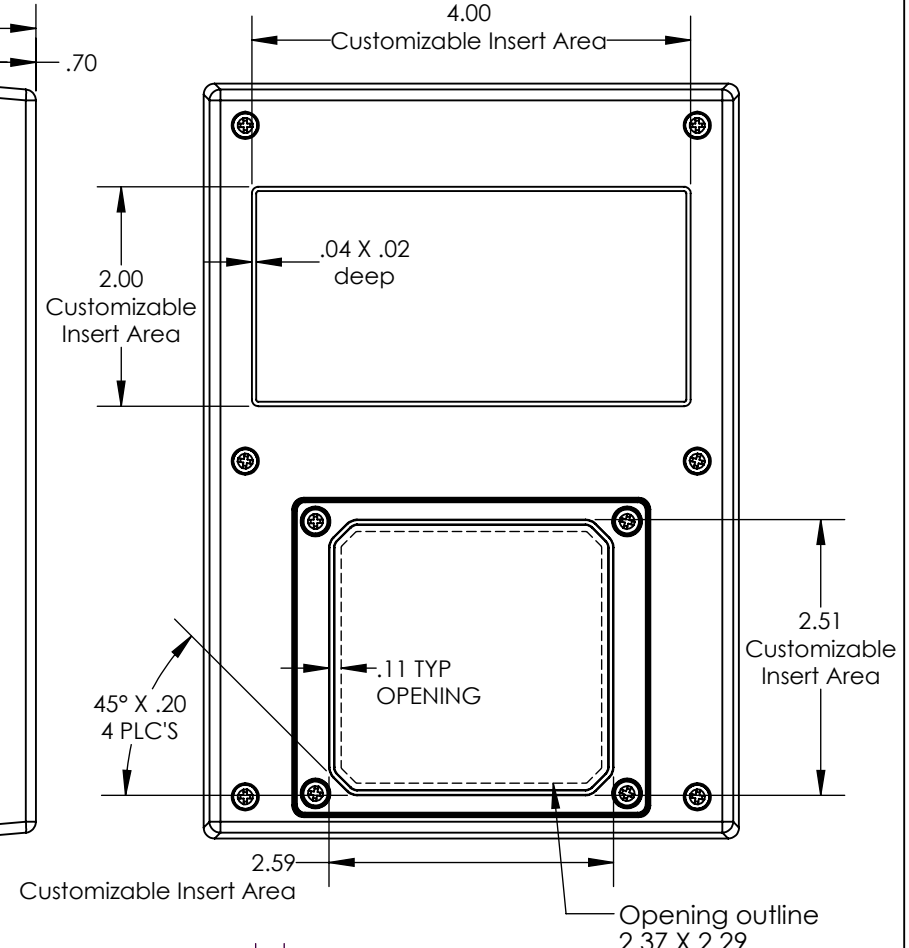
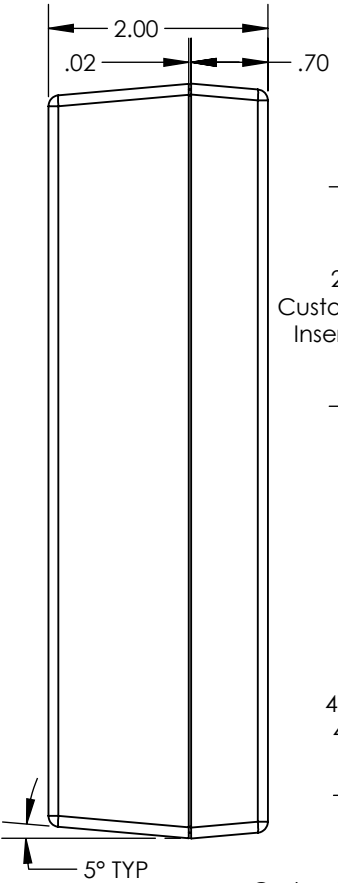
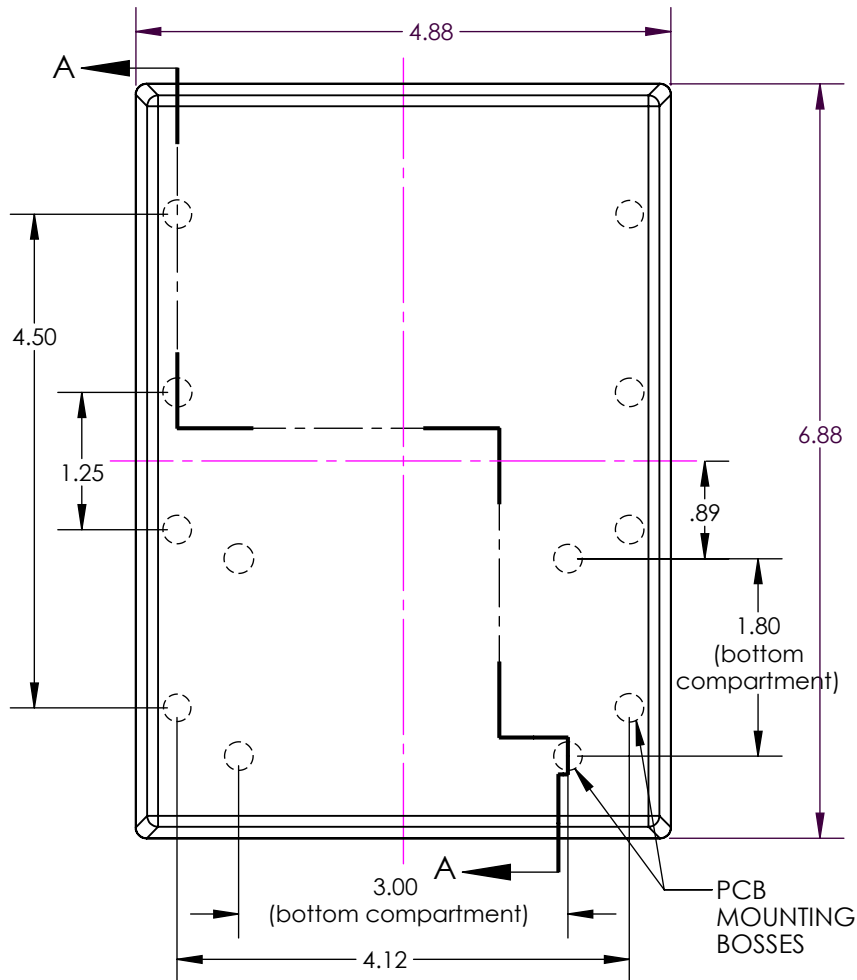


PART NO.	DESCRIPTION (Included)	ACCESSORIES (Optional)
7-2	Top	PART NO. DESCRIPTION
17AC	AC Bottom	50 Non-skid Feet
1026	Access Door	SK7 Seal Kit for 17X
6005	#4X3/8" Self-Tapping Screw (10)	

Notes: Enclosure weight .47 lb / 214 g  
 1) Enclosure meets or exceeds IP40 and NEMA 1  
 2) When used with SK7 the enclosure meets or exceeds IP 67 and NEMA 4X, 12 and 13 MIL-STD-810G 506.5 (.03 lb / 14 g)  
 3) Circuit Board drawings see sheet 3.  
 4) All components are RoHS Compliant.

# SERPAC 172AC

Electronic Enclosures

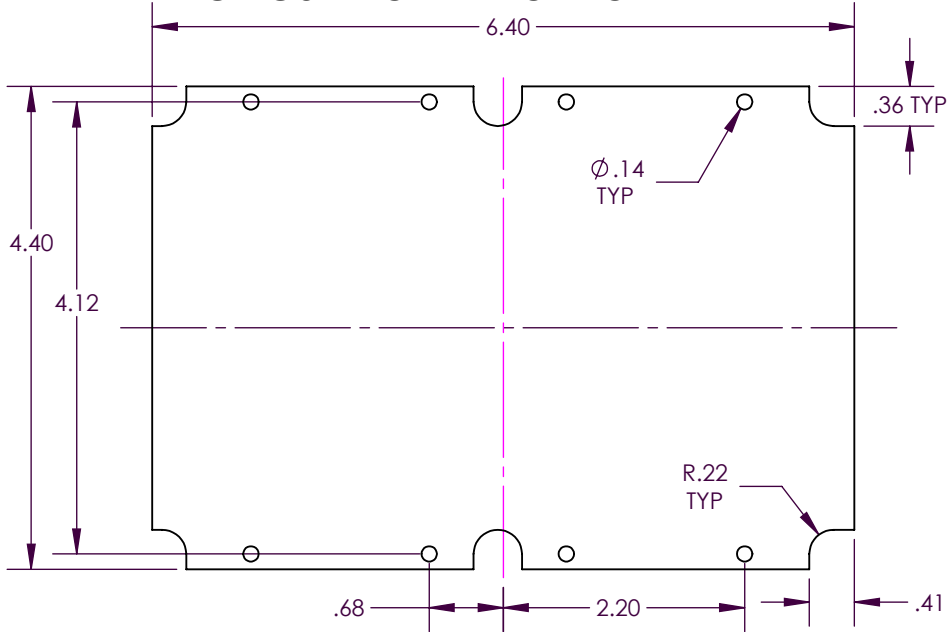


ALL DIMENSIONS ARE ±.010" 9/10/2021 (2 of 3)  
2009 Wright Ave. La Verne, CA 91750  
Ph. (626) 331-0517 Fx. (626) 331-8584 www.serpac.com

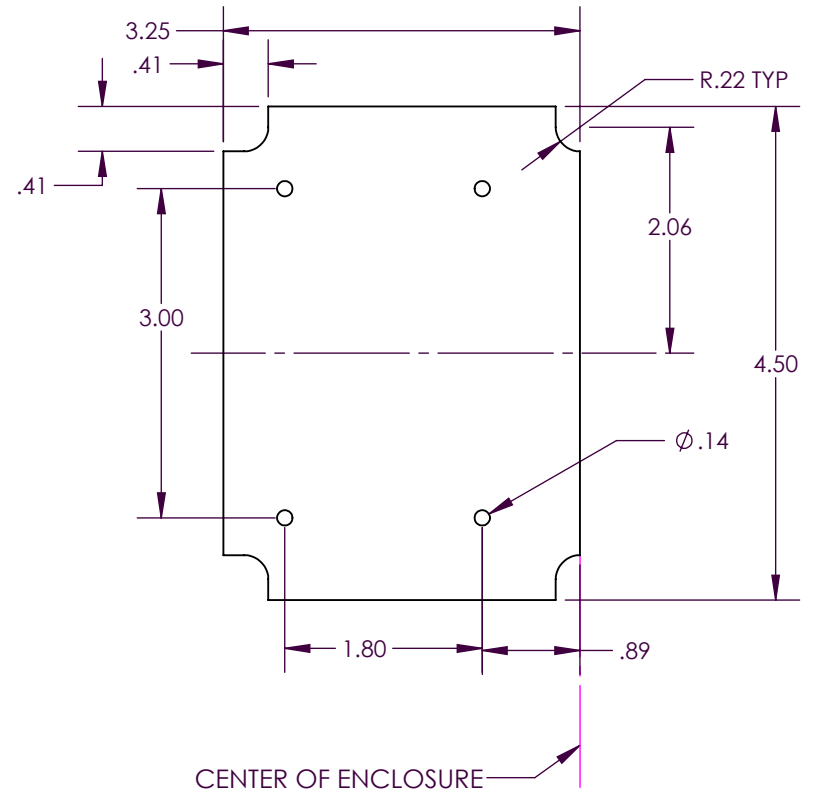
# SERPAC PCB for 17X compartment enclosures

Electronic Enclosures

**CIRCUIT BOARD FOR TOP**



**CIRCUIT BOARD FOR BOTTOM**



**SMALL CIRCUIT BOARD FOR BOTTOM**

