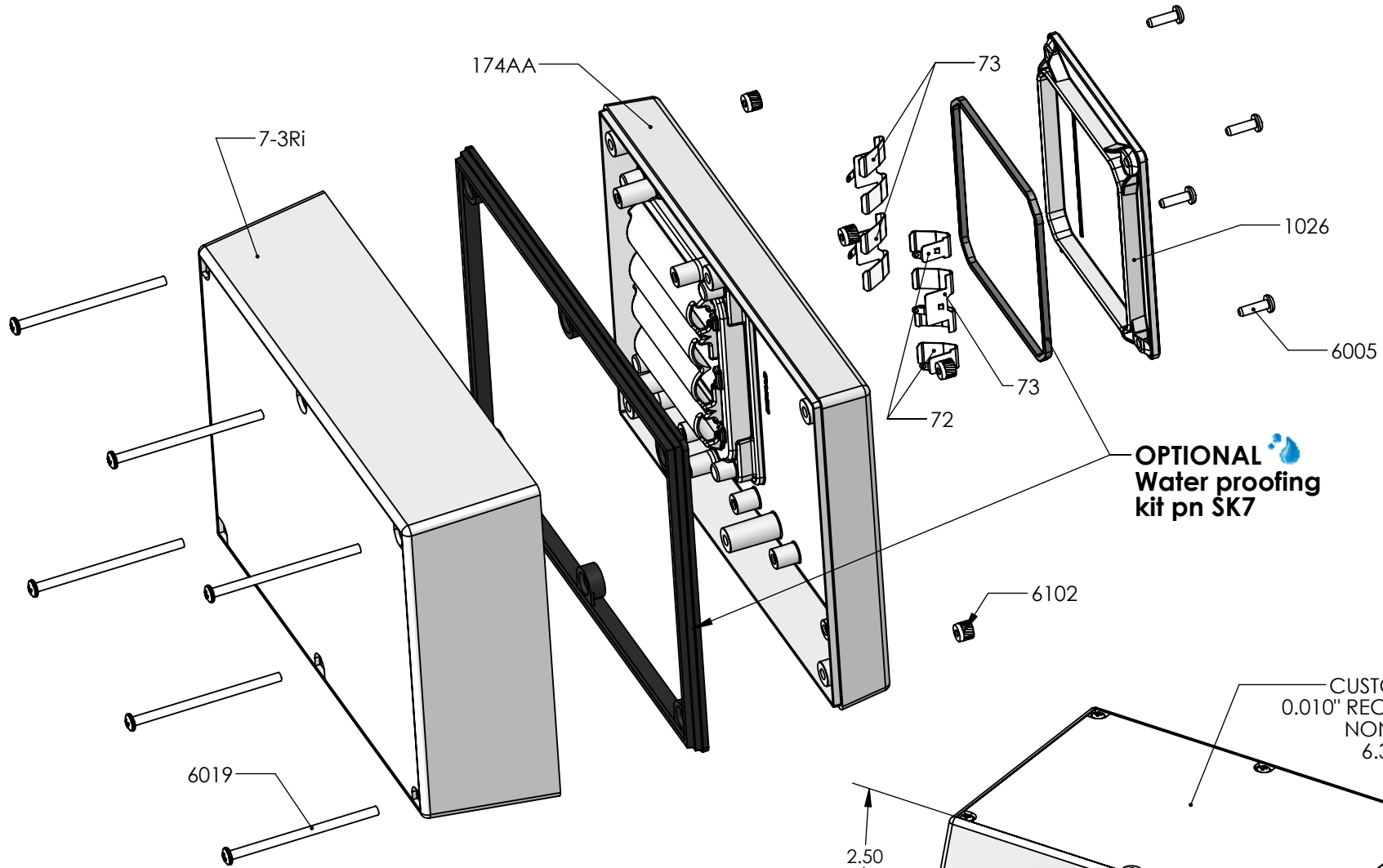


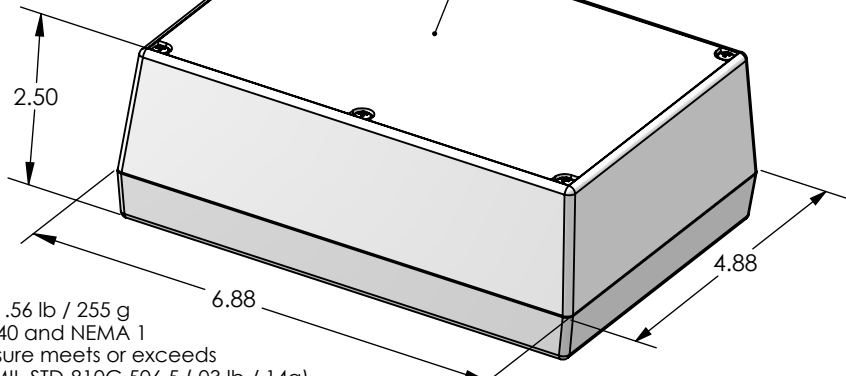
SERPAC 173Ri4AA (exploded isometric)

Electronic Enclosures



OPTIONAL
Water proofing
kit pn SK7

CUSTOMIZABLE
0.010" RECESS AREA
NON-TEXTURE
6.37" X 4.37"

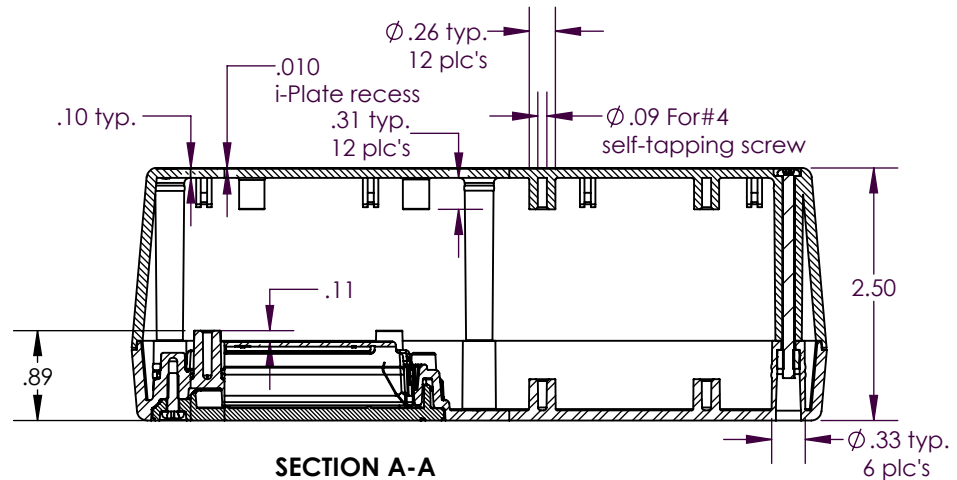
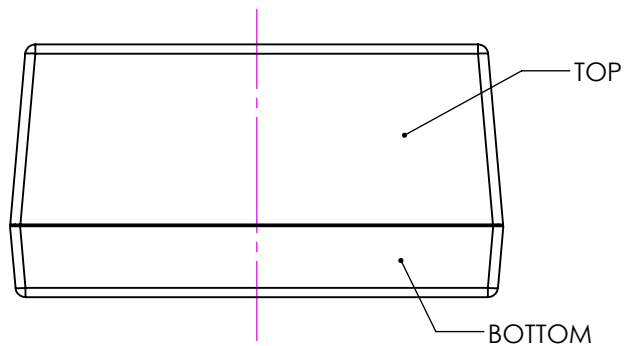
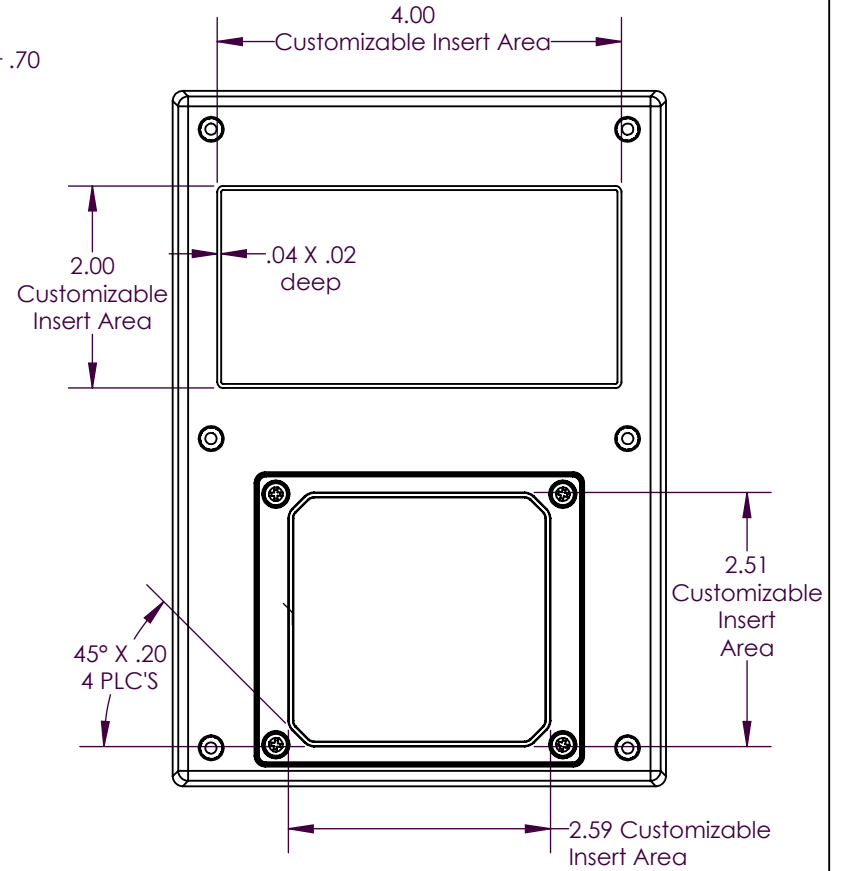
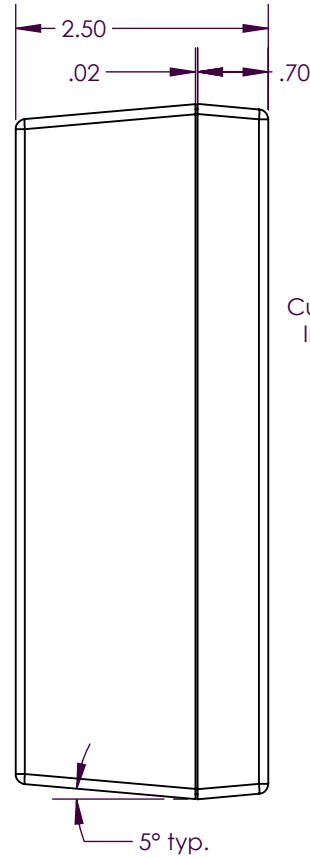
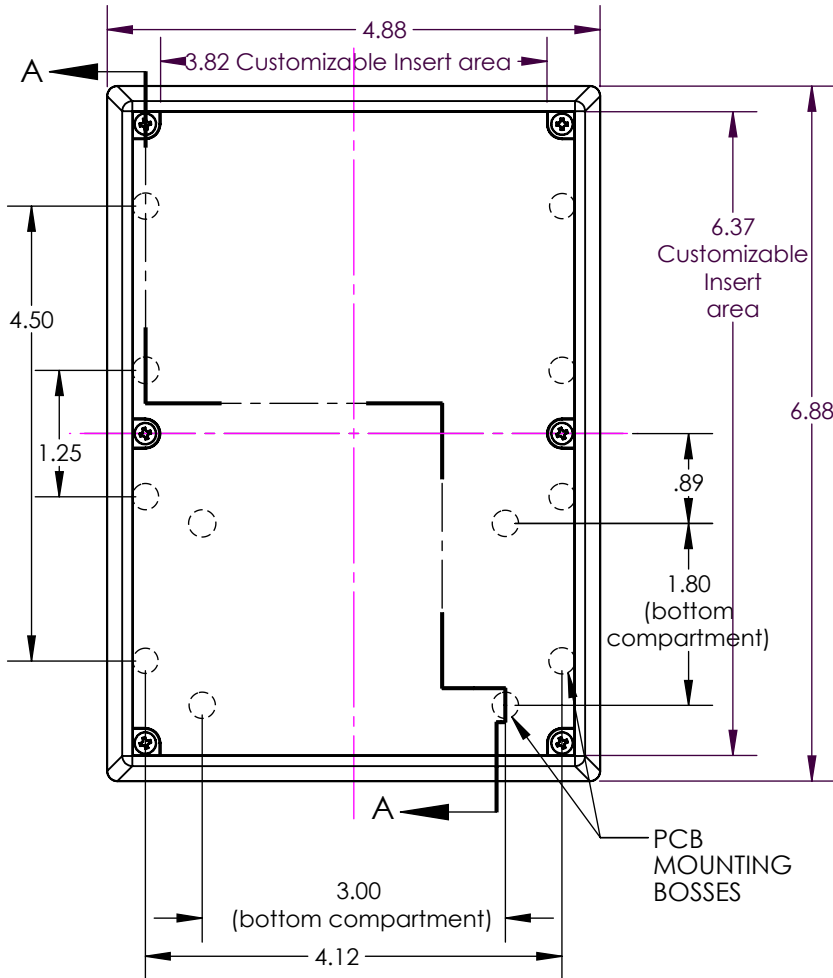


PART NO.	DESCRIPTION (Included)	ACCESSORIES (Optional)	
7-3Ri	Top	PART NO.	DESCRIPTION
174AA	4AA Bottom	50	Non-skid Feet
1026	Access Door	SK7	Seal Kit for 17X
6005	#4 X 3/8" Self-Tapping Screw (4)		
6019	4-40 X 2" Screw (6)		
6102	4-40 Threaded Insert (6)		
73	Double Battery Contact (3)		
72	Single Battery Contact (2)		

Notes:
 Enclosure weight .56 lb / 255 g
 1) Enclosure meets or exceeds IP40 and NEMA 1
 2) When used with SK7 the enclosure meets or exceeds IP 67 and NEMA 4X, 12 and 13 MIL-STD-810G 506.5 (.03 lb / 14g)
 3) Circuit Board drawings see sheet 3.
 4) All components are RoHS Compliant.

SERPAC 173Ri4AA

Electronic Enclosures



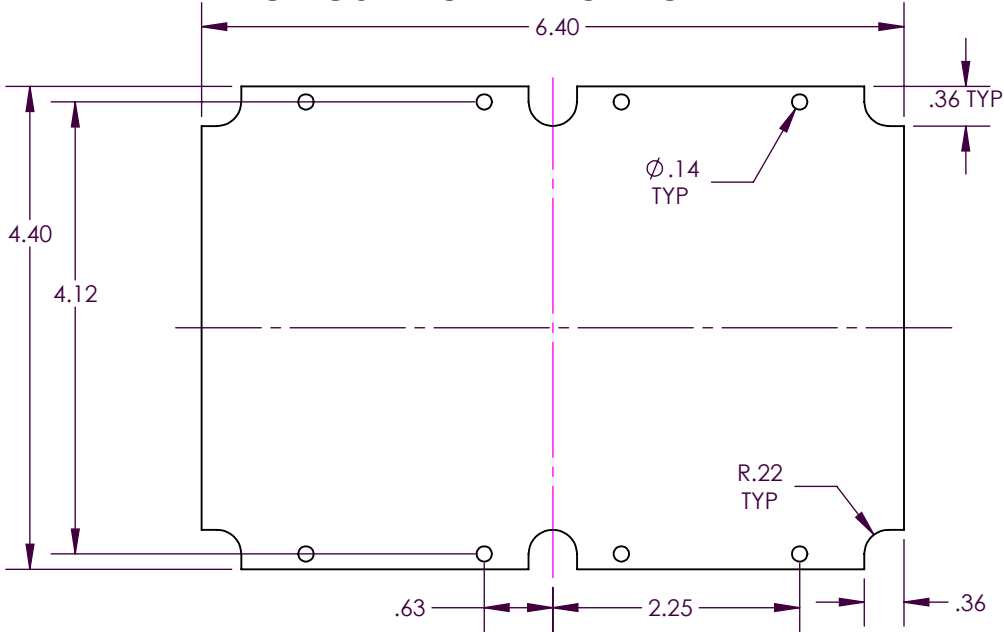
SECTION A-A
SCALE 1 : 1.9

ALL DIMENSIONS ARE ±.010" 9/17/2021 (2 of 3)
2009 Wright Ave. La Verne, CA 91750
Ph. (626) 331-0517 Fx. (626) 331-8584 www.serpac.com

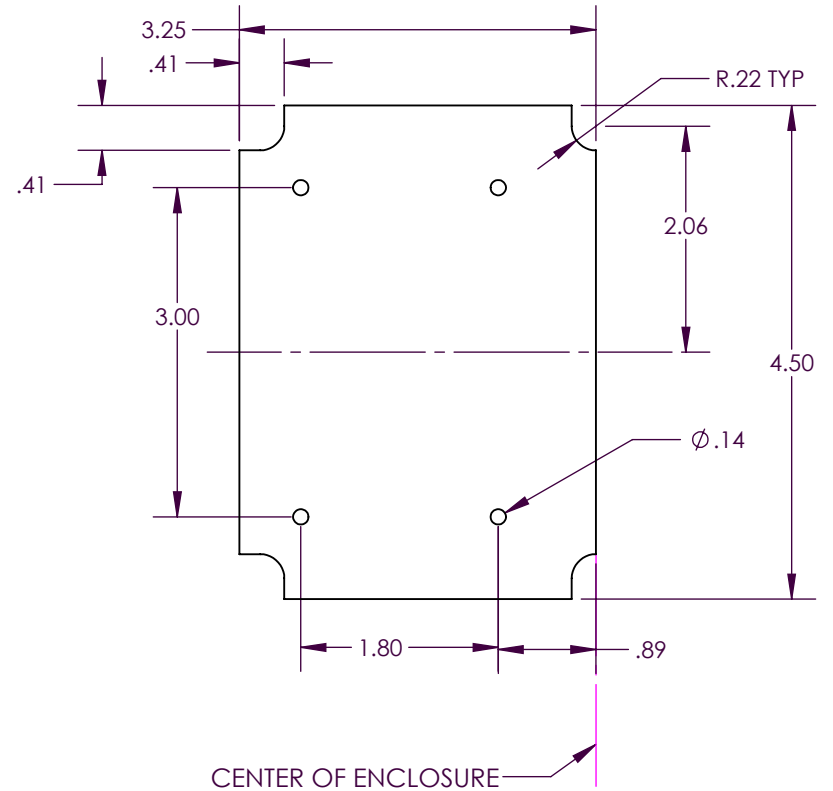
SERPAC PCB for 173 compartment enclosures

Electronic Enclosures

CIRCUIT BOARD FOR TOP



CIRCUIT BOARD FOR BOTTOM



SMALL CIRCUIT BOARD FOR BOTTOM

