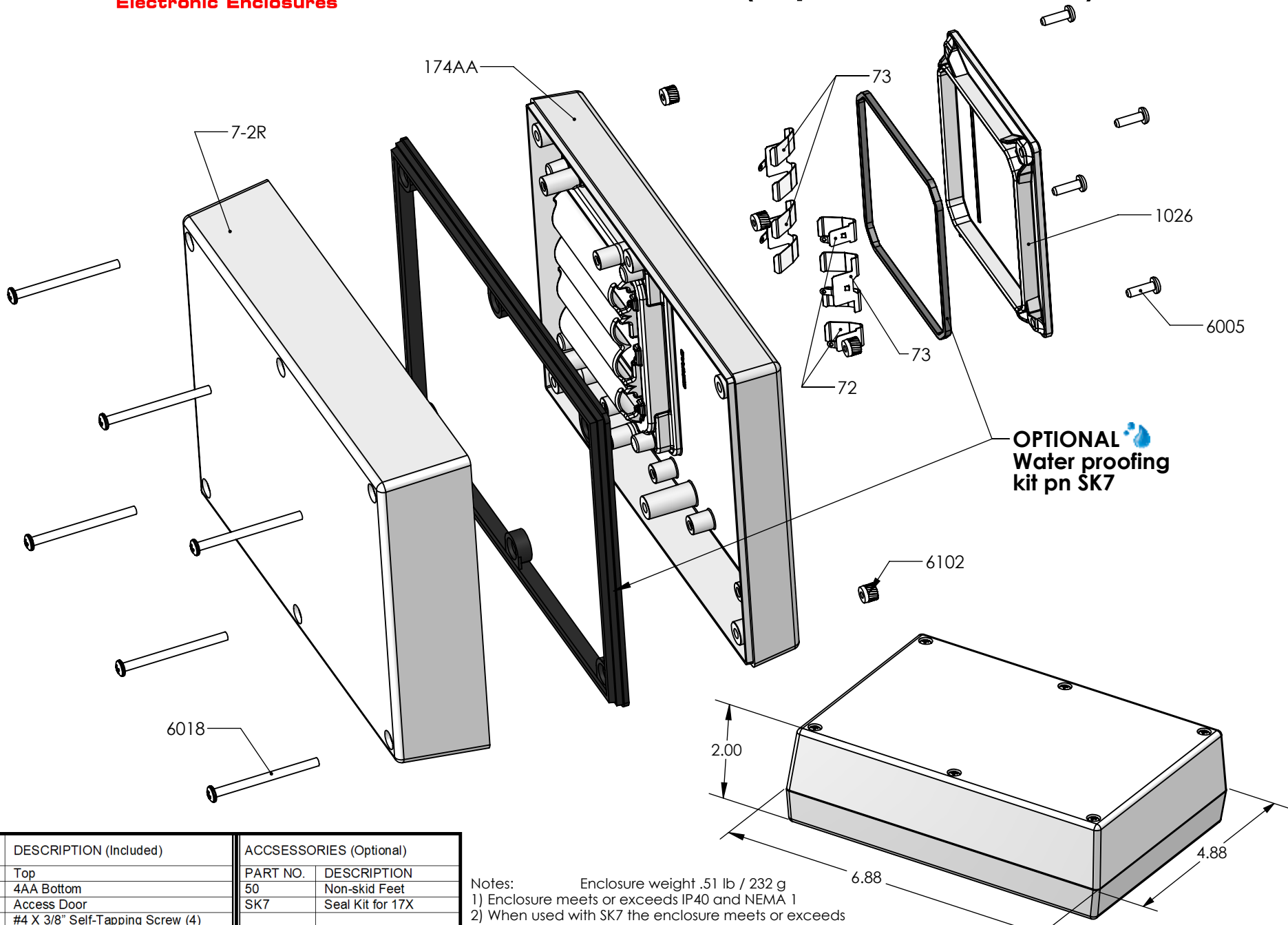


SERPAC 172R4AA (exploded isometric)

Electronic Enclosures



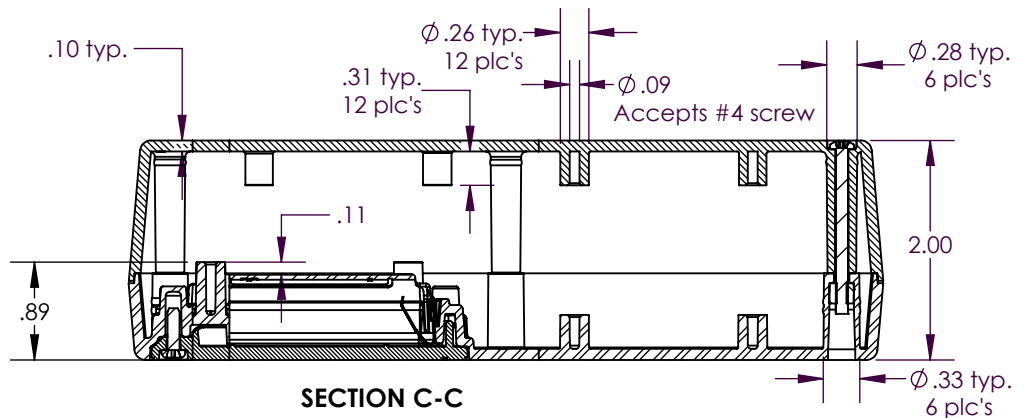
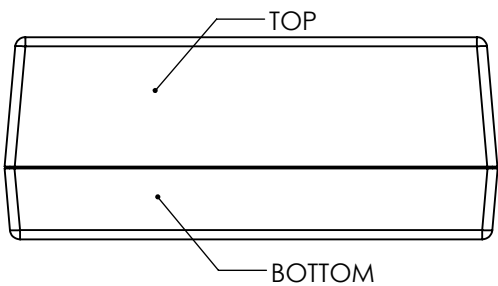
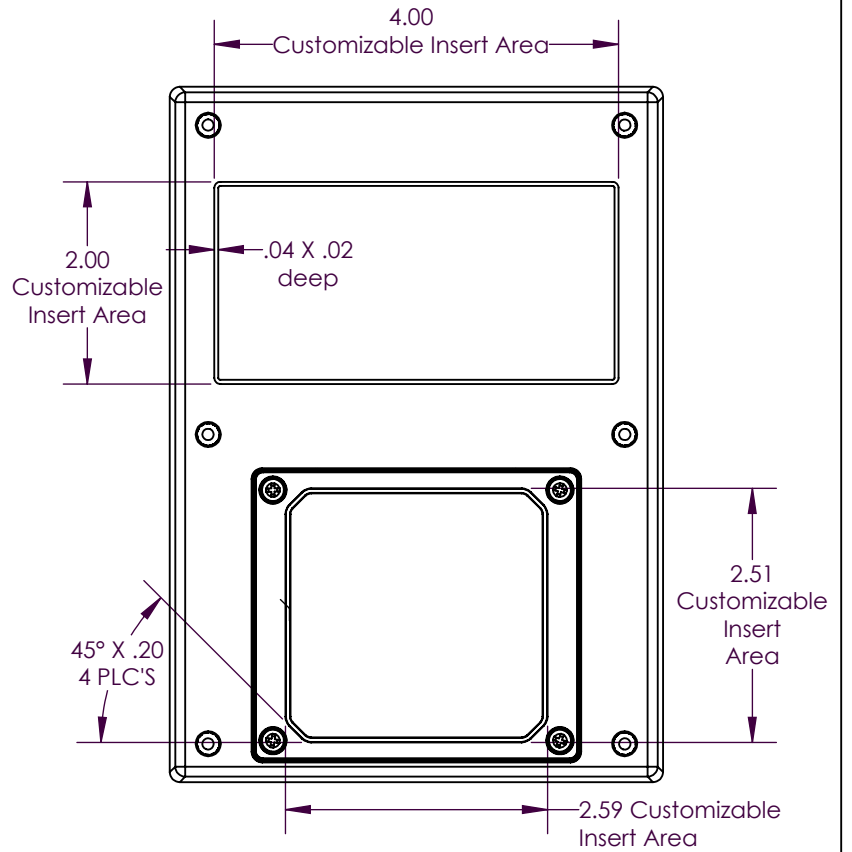
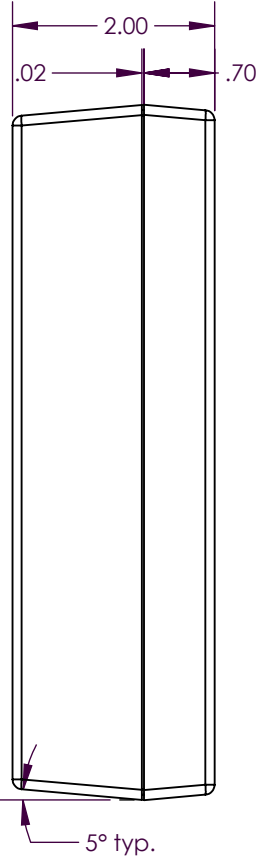
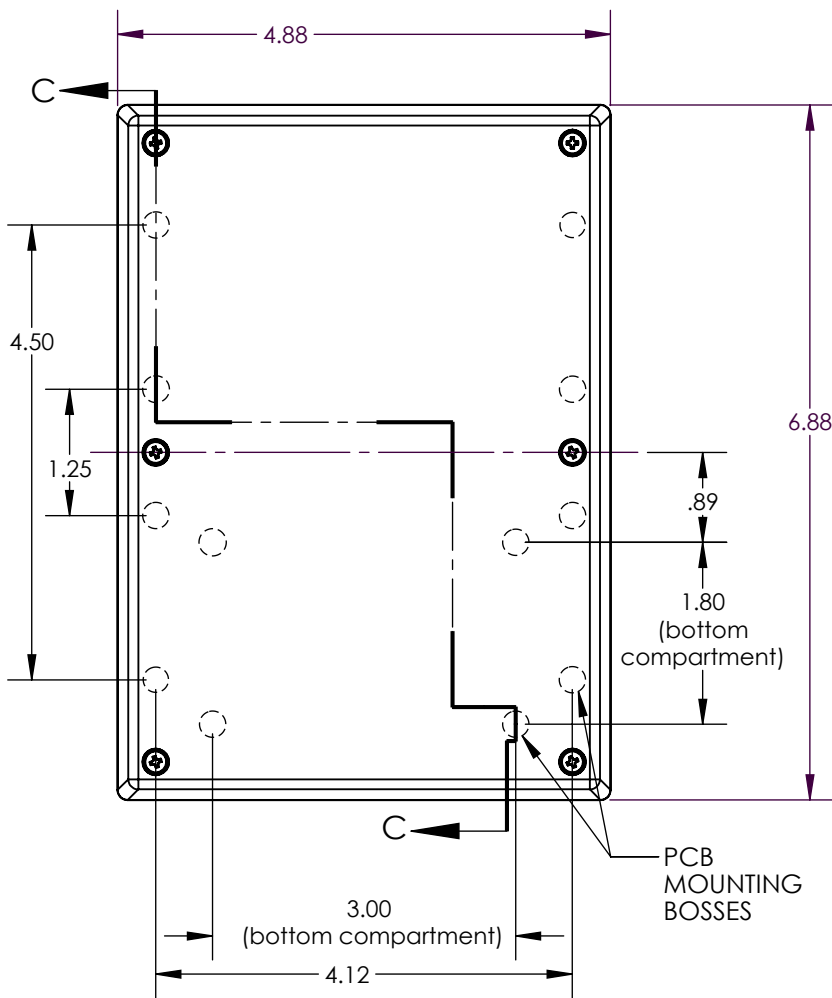
OPTIONAL
Water proofing
kit pn SK7

PART NO.	DESCRIPTION (Included)	PART NO.	DESCRIPTION (Optional)
7-2R	Top	50	Non-skid Feet
174AA	4AA Bottom	SK7	Seal Kit for 17X
1026	Access Door		
6005	#4 X 3/8" Self-Tapping Screw (4)		
6018	4-40 X 2" Screw (6)		
6102	4-40 Threaded Insert (6)		
73	Double Battery Contact (3)		
72	Single Battery Contact (2)		

- Notes:
- 1) Enclosure weight .51 lb / 232 g
 - 2) Enclosure meets or exceeds IP40 and NEMA 1
 - 3) When used with SK7 the enclosure meets or exceeds IP 67 and NEMA 4X, 12 and 13 MIL-STD-810G 506.5 (.03 lb / 14g)
 - 4) Circuit Board drawings see sheet 3.
 - 5) All components are RoHS Compliant.

SERPAC 172R4AA

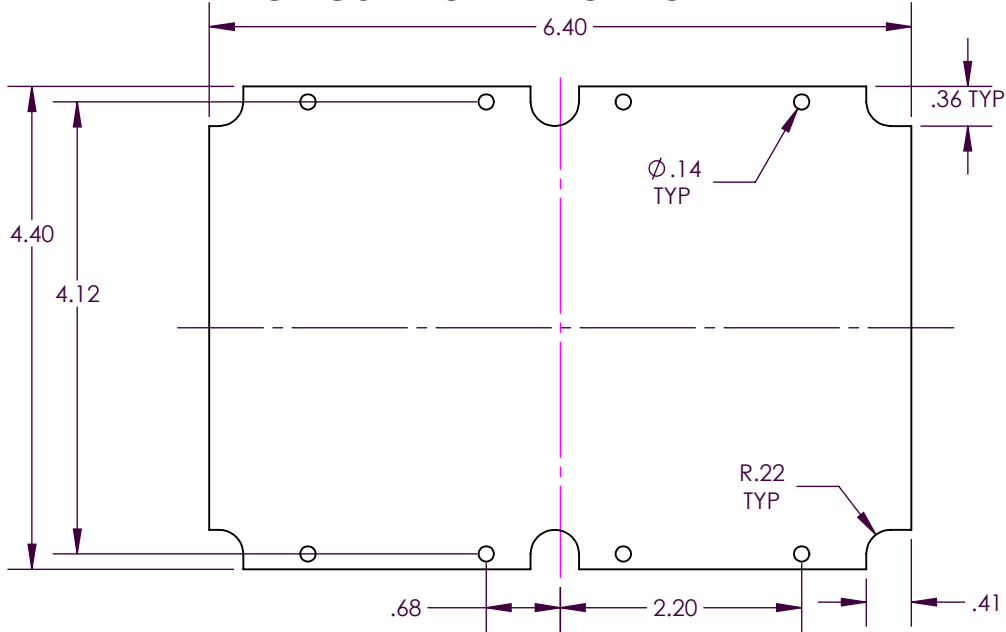
Electronic Enclosures



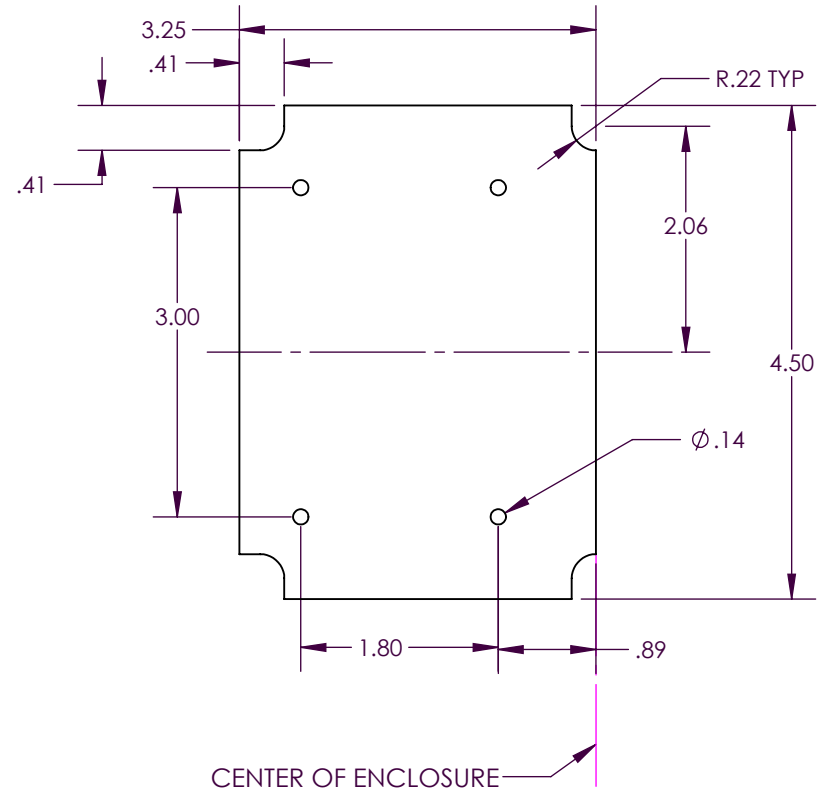
SERPAC PCB for 17X compartment enclosures

Electronic Enclosures

CIRCUIT BOARD FOR TOP



CIRCUIT BOARD FOR BOTTOM



SMALL CIRCUIT BOARD FOR BOTTOM

