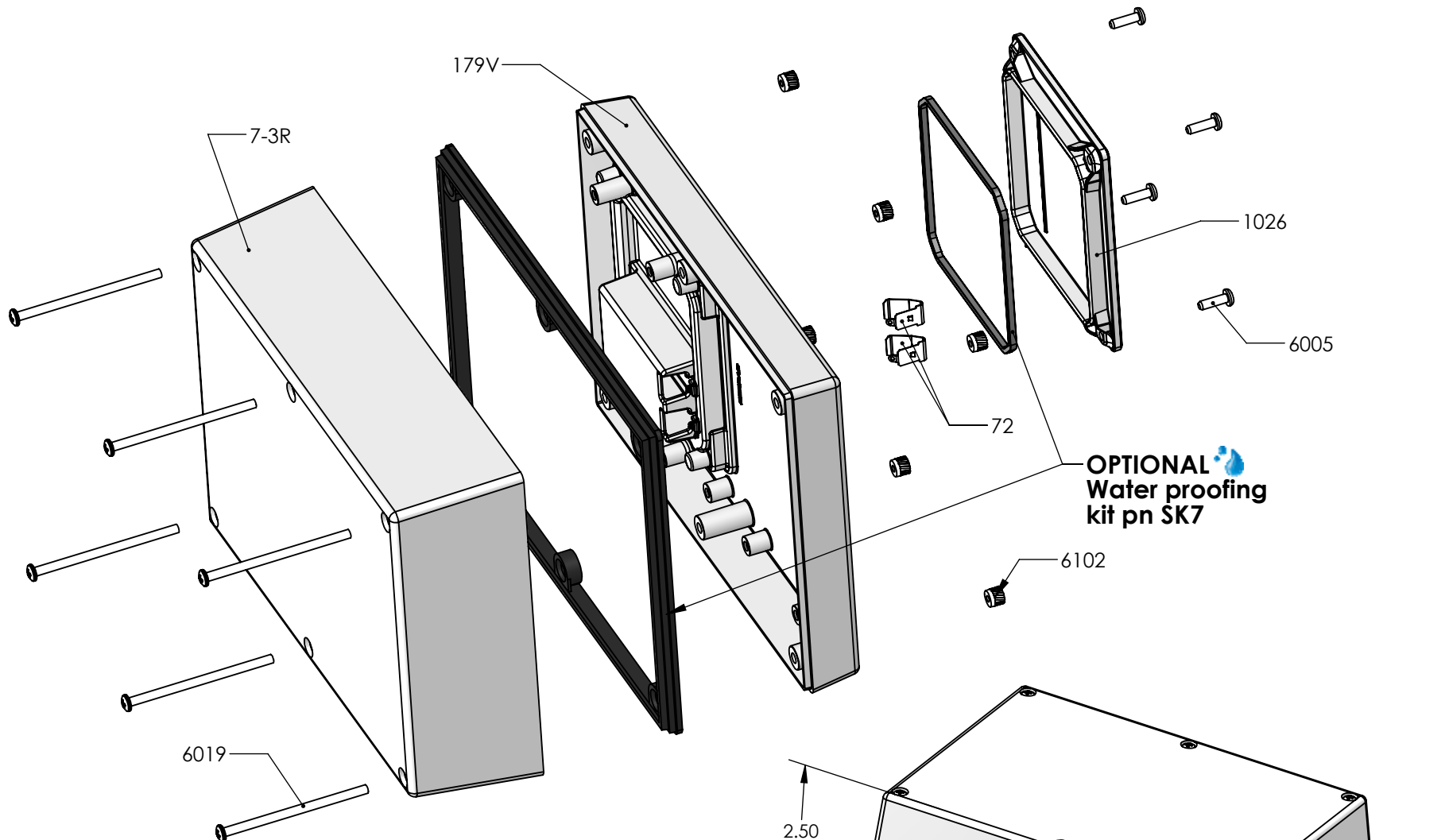


SERPAC 173R9V (exploded isometric)

Electronic Enclosures



OPTIONAL
Water proofing
kit pn SK7

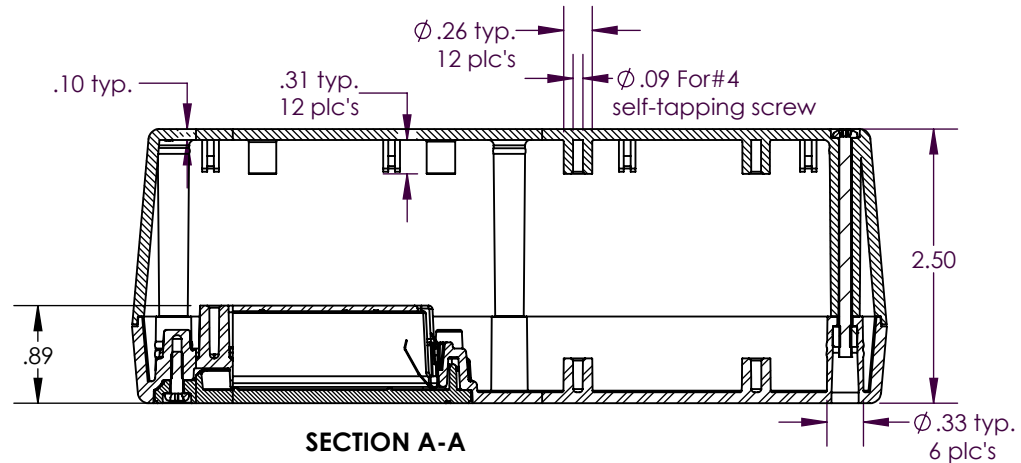
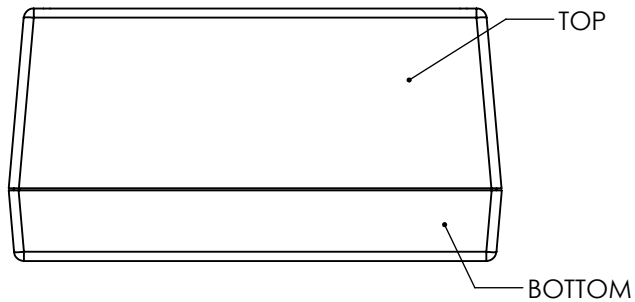
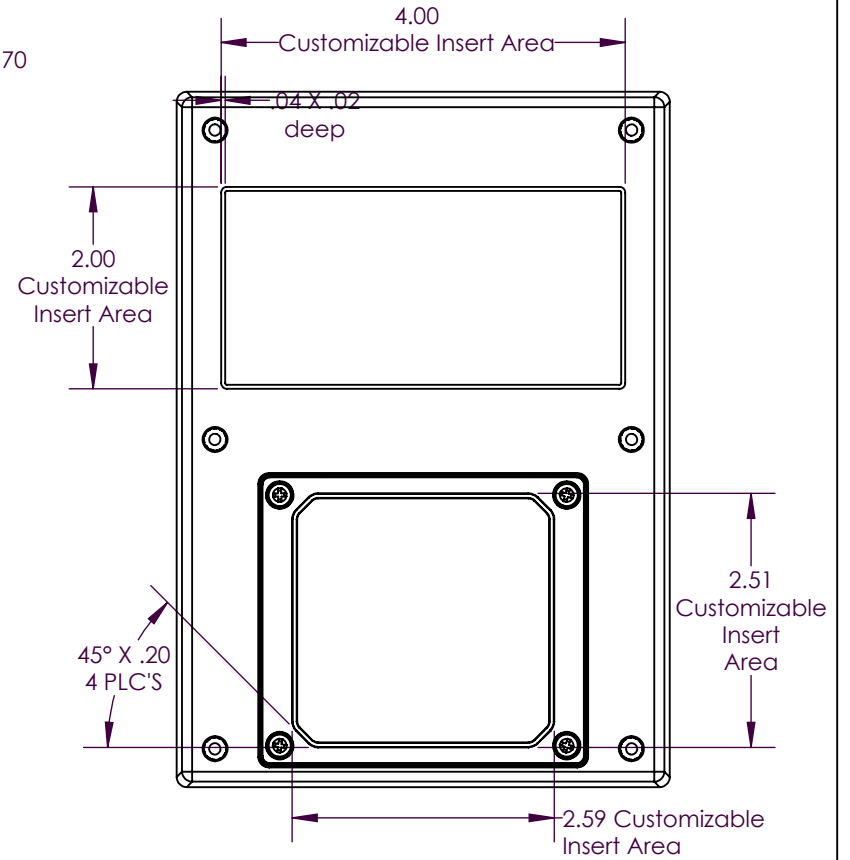
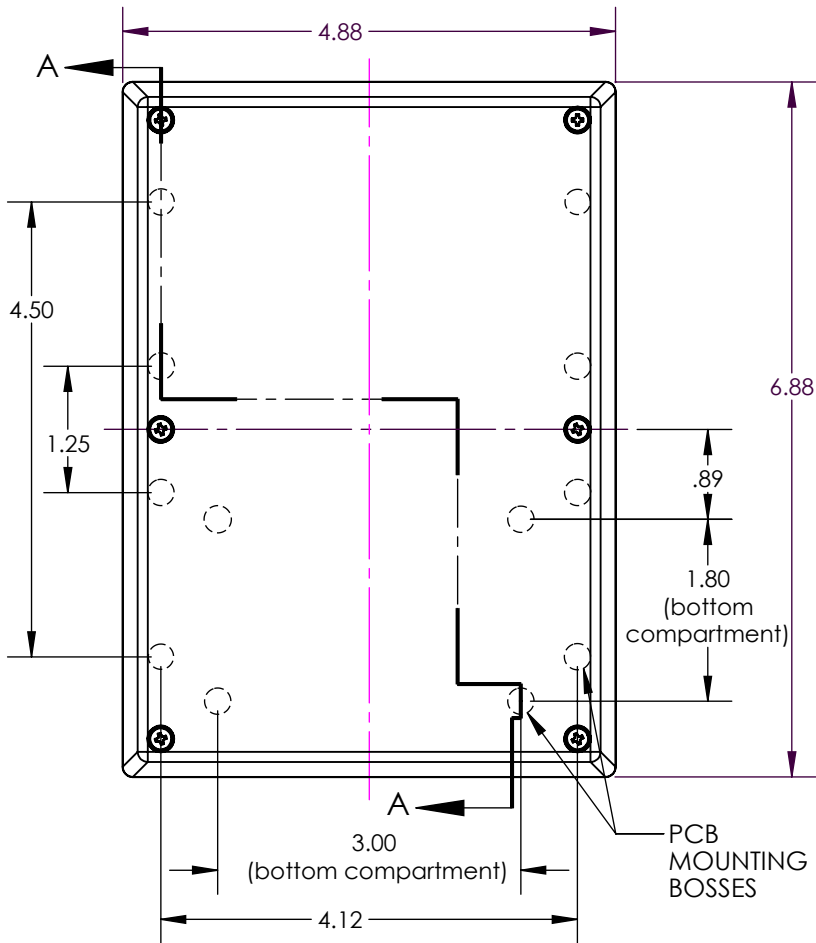
PART NO.	DESCRIPTION (Included)	PART NO.	DESCRIPTION
7-3R	Top	50	Non-skid Feet
179V	9V Bottom	SK7	Seal Kit for 17X
1026	Access Door		
6005	#4 X 3/8" Self-Tapping Screw (4)		
6019	4-40 X 2" Screw (6)		
6102	4-40 Threaded Insert (6)		
72	Single Battery Contact (2)		

Notes: Enclosure weight .56 lb / 255 g
 1) Enclosure meets or exceeds IP40 and NEMA 1
 2) When used with SK7 the enclosure meets or exceeds IP 67 and NEMA 4X, 12 and 13 MIL-STD-810G 506.5 (.03 lb / 14g)
 3) Circuit Board drawings see sheet 3.
 4) All components are RoHS Compliant.

ALL DIMENSIONS ARE ± .010" 9/20/2021 (1 of 3)
 2009 Wright Ave. La Verne, CA 91750
 Ph. (626) 331-0517 Fx. (626) 331-8584 serpac.com

SERPAC 173R9V

Electronic Enclosures



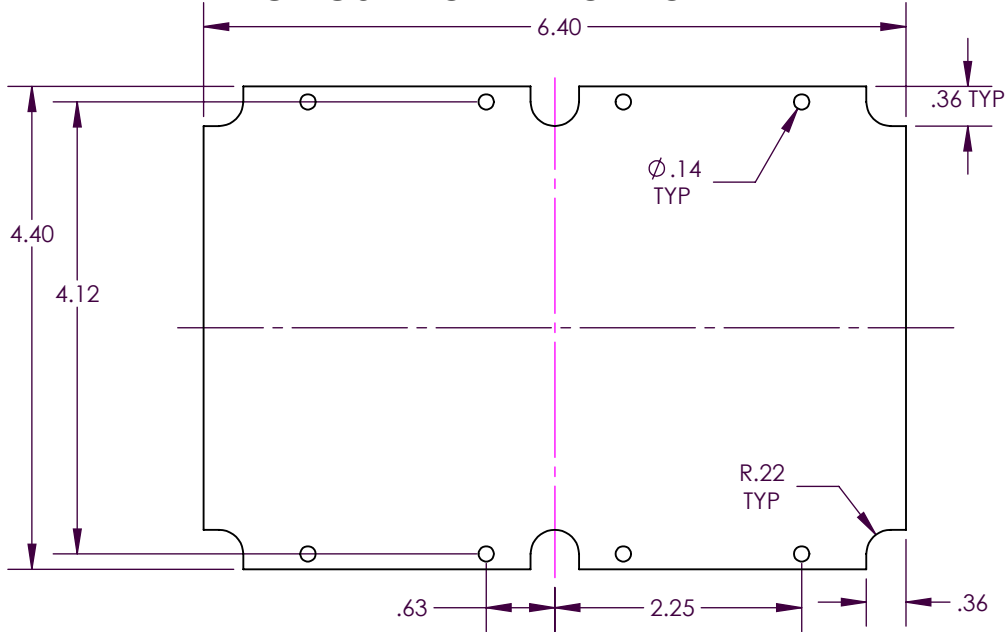
ALL DIMENSIONS ARE ±.010" 9/20/2021 (2 of 3)

2009 Wright Ave. La Verne, CA 91750

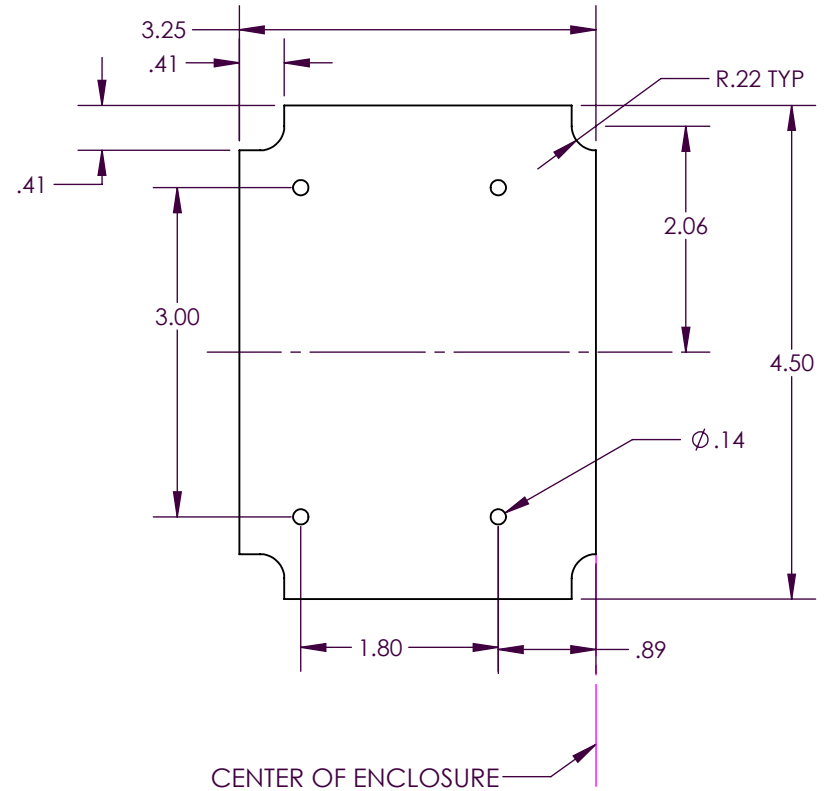
Ph. (626) 331-0517 Fx. (626) 331-8584 www.serpac.com

PCB for 173 compartment enclosures

CIRCUIT BOARD FOR TOP



CIRCUIT BOARD FOR BOTTOM



SMALL CIRCUIT BOARD FOR BOTTOM

