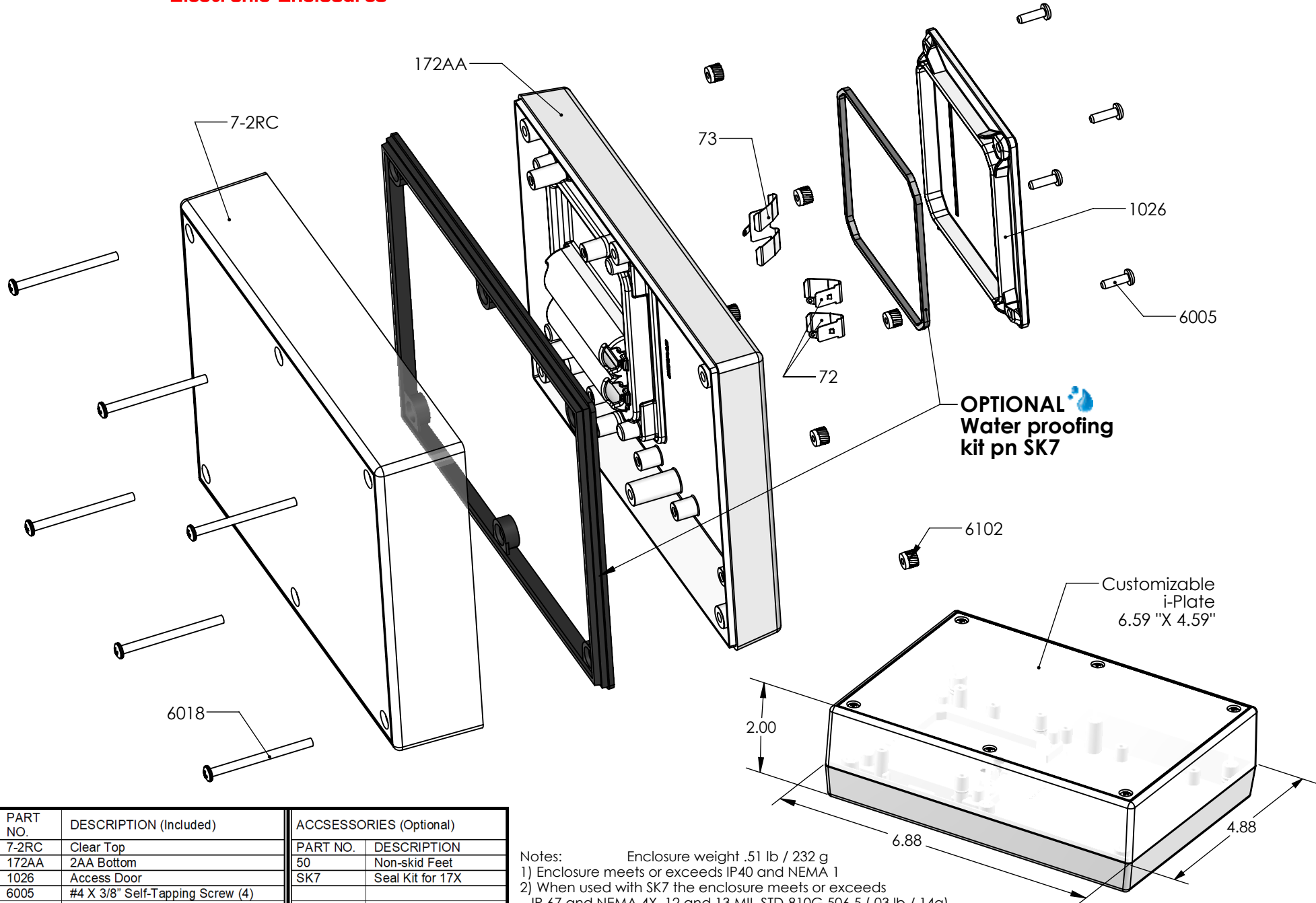


# SERPAC 172RC2AA (exploded isometric)

Electronic Enclosures



**OPTIONAL**  
Water proofing  
kit pn SK7

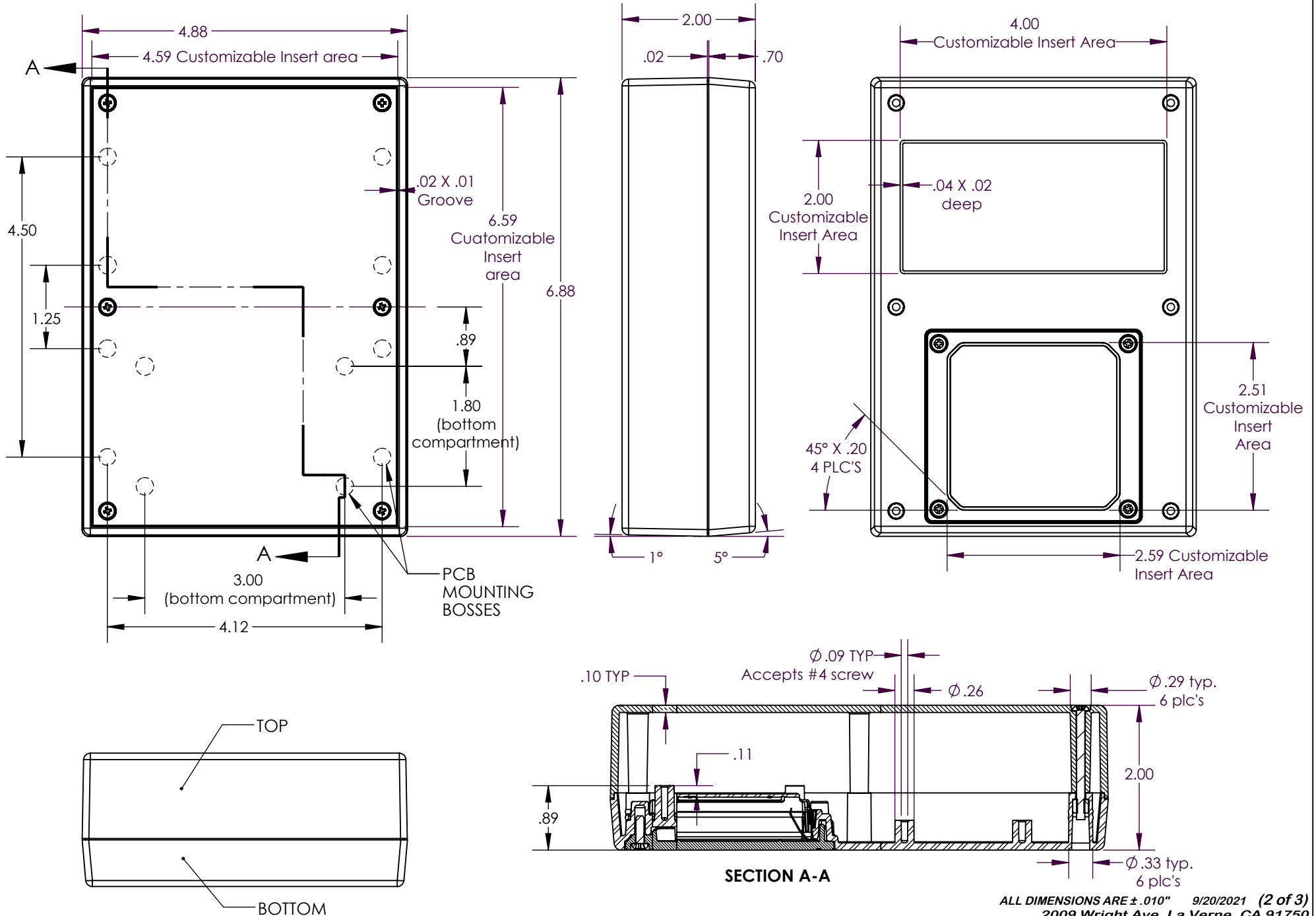
Customizable  
i-Plate  
6.59" X 4.59"

PART NO.	DESCRIPTION (Included)	ACCESSORIES (Optional)
7-2RC	Clear Top	PART NO. DESCRIPTION
172AA	2AA Bottom	50 Non-skid Feet
1026	Access Door	SK7 Seal Kit for 17X
6005	#4 X 3/8" Self-Tapping Screw (4)	
6018	4-40 X 1 1/2" Screw (6)	
6102	4-40 Threaded Insert (6)	
73	Double Battery Contact	
72	Single Battery Contact (2)	

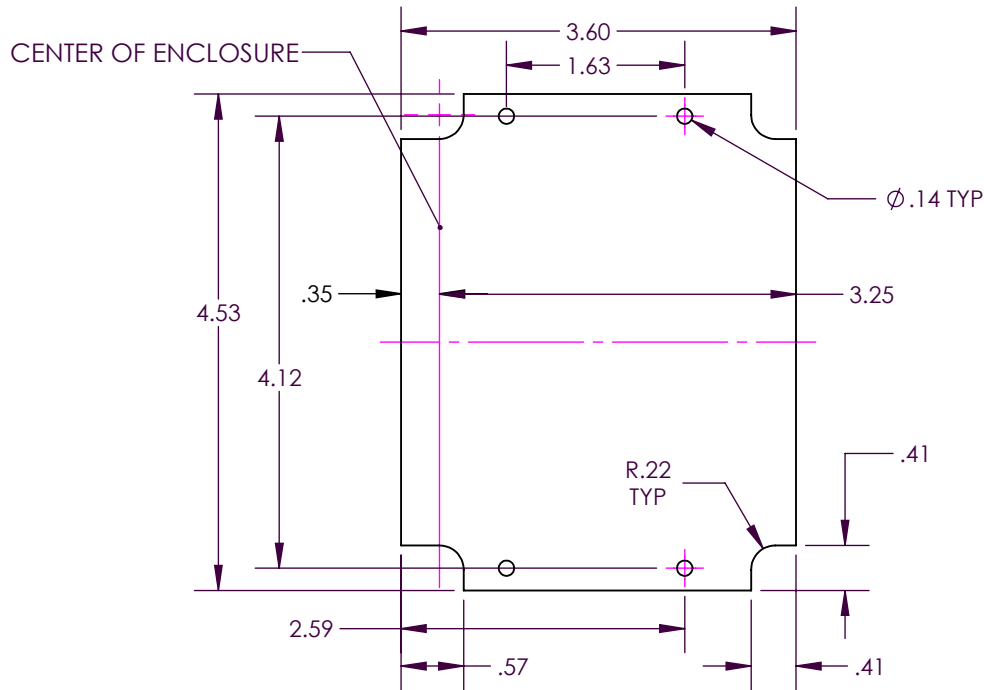
Notes: Enclosure weight .51 lb / 232 g  
 1) Enclosure meets or exceeds IP40 and NEMA 1  
 2) When used with SK7 the enclosure meets or exceeds IP 67 and NEMA 4X, 12 and 13 MIL-STD-810G 506.5 (.03 lb / 14g)  
 3) Circuit Board drawings see sheet 3.  
 4) All components are RoHS Compliant.

# SERPAC 172RC2AA

Electronic Enclosures



## SMALL CIRCUIT BOARD FOR BOTTOM



## CIRCUIT BOARD FOR BOTTOM

