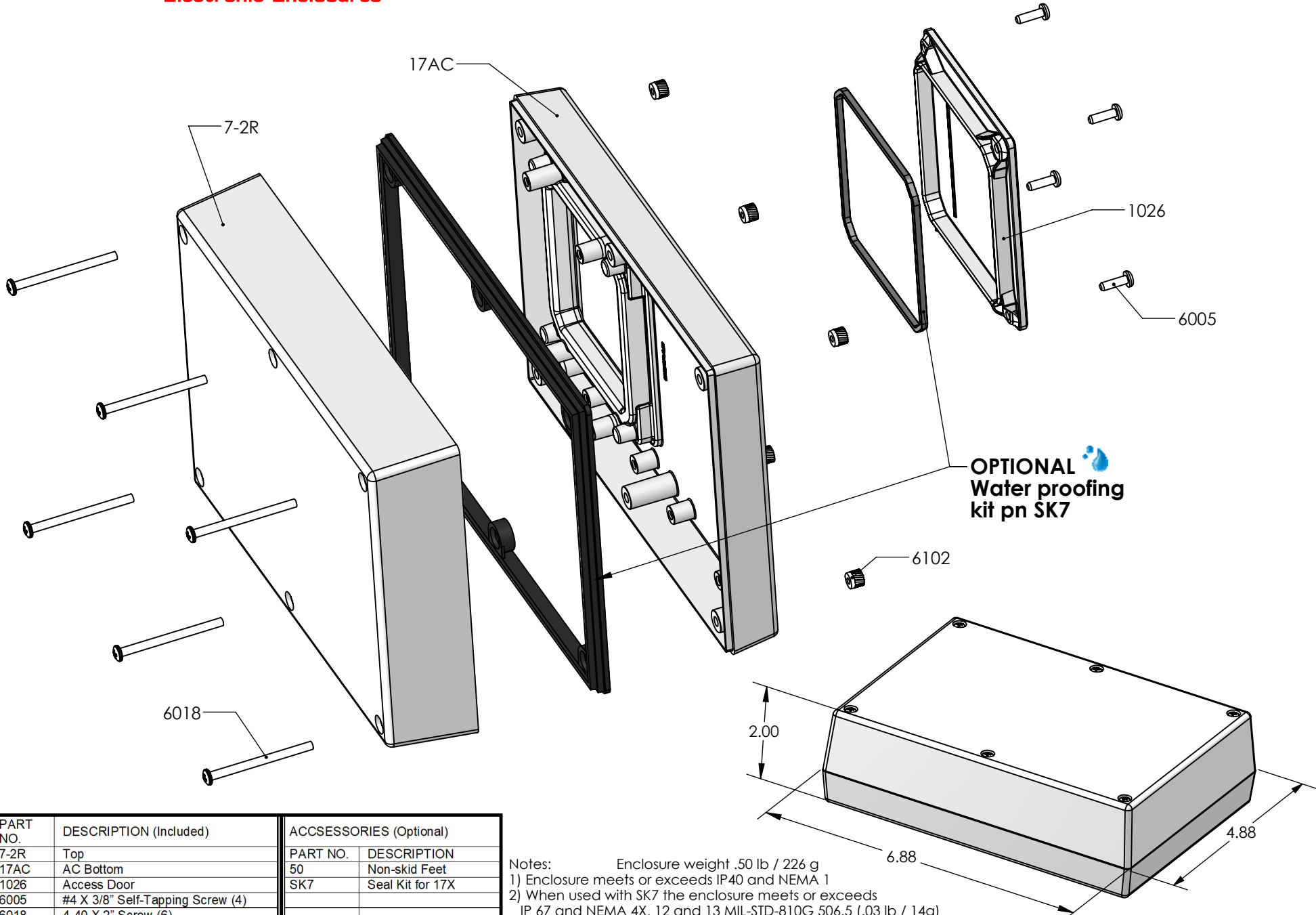


# SERPAC 172RAC (exploded isometric)

Electronic Enclosures



OPTIONAL  
Water proofing  
kit pn SK7

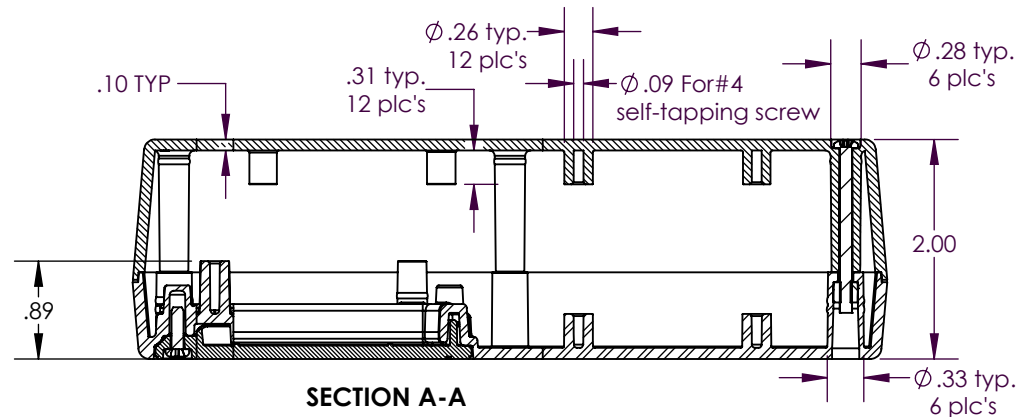
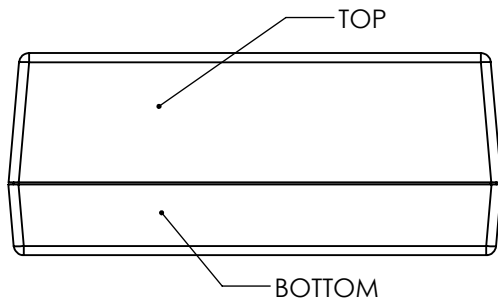
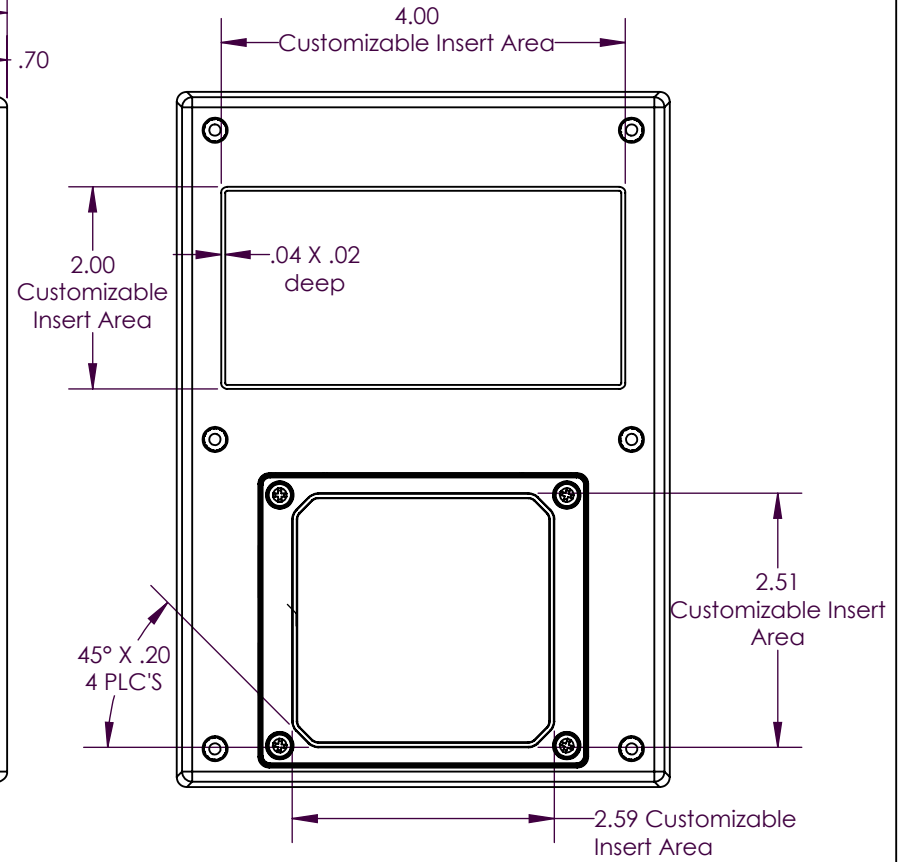
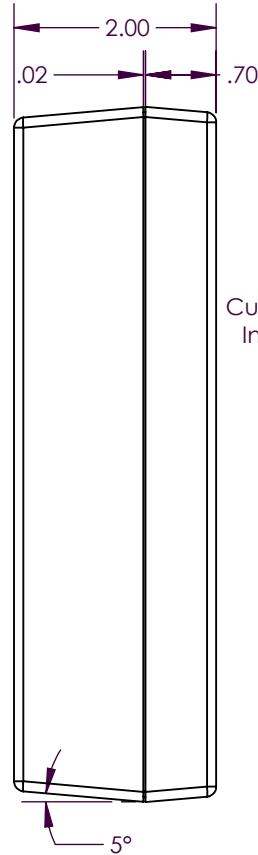
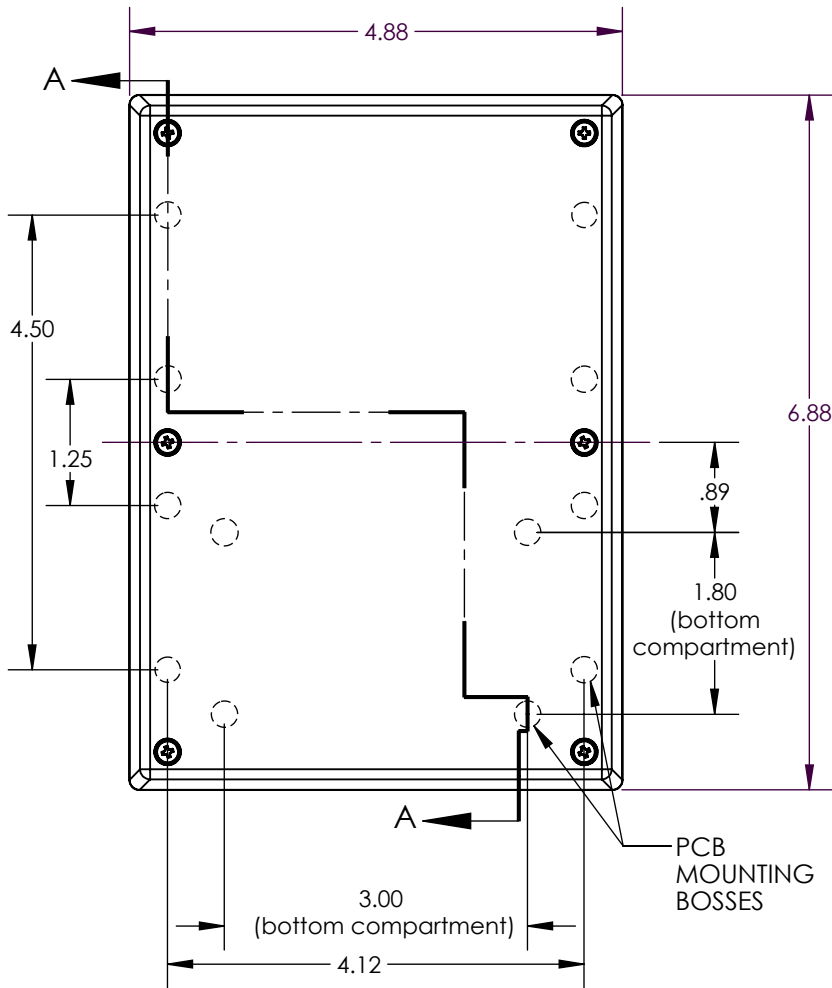
PART NO.	DESCRIPTION (Included)	ACCESSORIES (Optional)
7-2R	Top	PART NO. DESCRIPTION
17AC	AC Bottom	50 Non-skid Feet
1026	Access Door	SK7 Seal Kit for 17X
6005	#4 X 3/8" Self-Tapping Screw (4)	
6018	4-40 X 2" Screw (6)	
6102	4-40 Threaded Insert (6)	

- Notes:
- 1) Enclosure weight .50 lb / 226 g
  - 2) Enclosure meets or exceeds IP40 and NEMA 1
  - 3) When used with SK7 the enclosure meets or exceeds IP 67 and NEMA 4X, 12 and 13 MIL-STD-810G 506.5 (.03 lb / 14g)
  - 4) Circuit Board drawings see sheet 3.
  - 5) All components are RoHS Compliant.

ALL DIMENSIONS ARE ± .010" 9/24/2021 (1 of 3)  
2009 Wright Ave. La Verne, CA 91750  
Ph. (626) 331-0517 Fx. (626) 331-8584 serpac.com

# SERPAC 172RAC

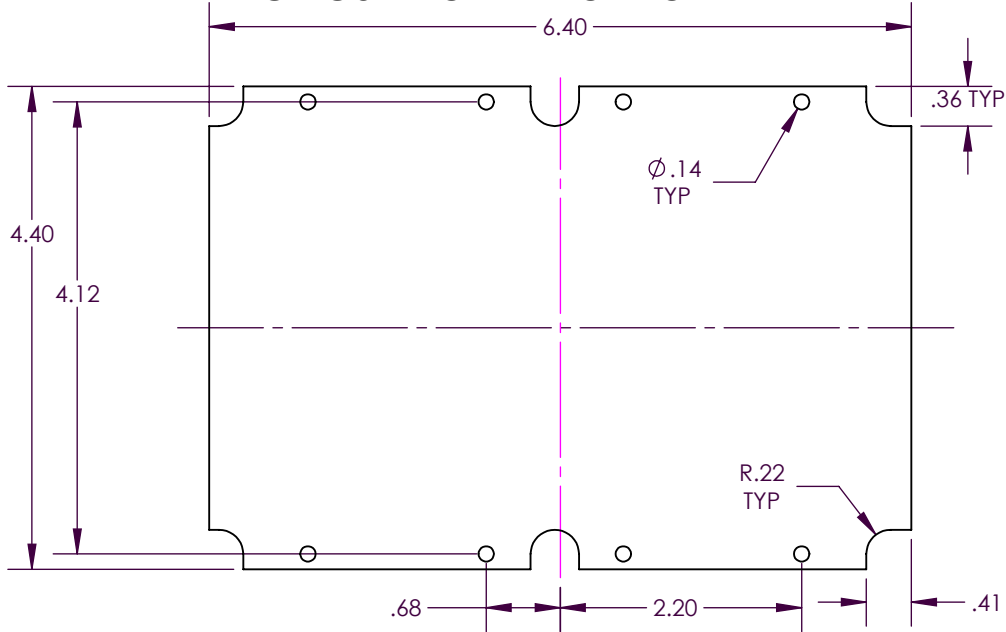
Electronic Enclosures



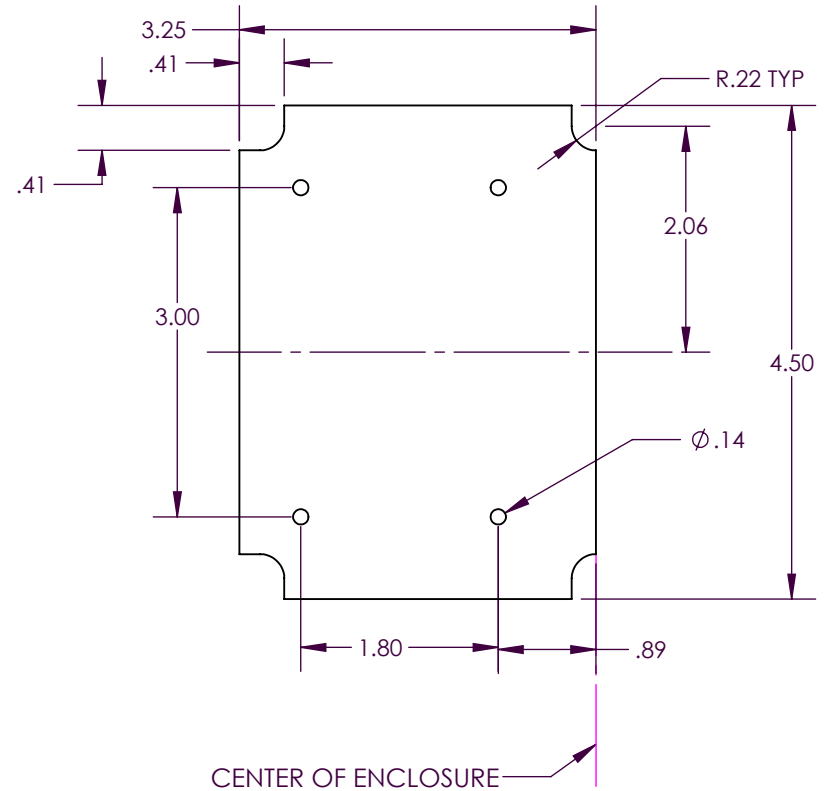
# SERPAC PCB for 17X compartment enclosures

Electronic Enclosures

**CIRCUIT BOARD FOR TOP**



**CIRCUIT BOARD FOR BOTTOM**



**SMALL CIRCUIT BOARD FOR BOTTOM**

