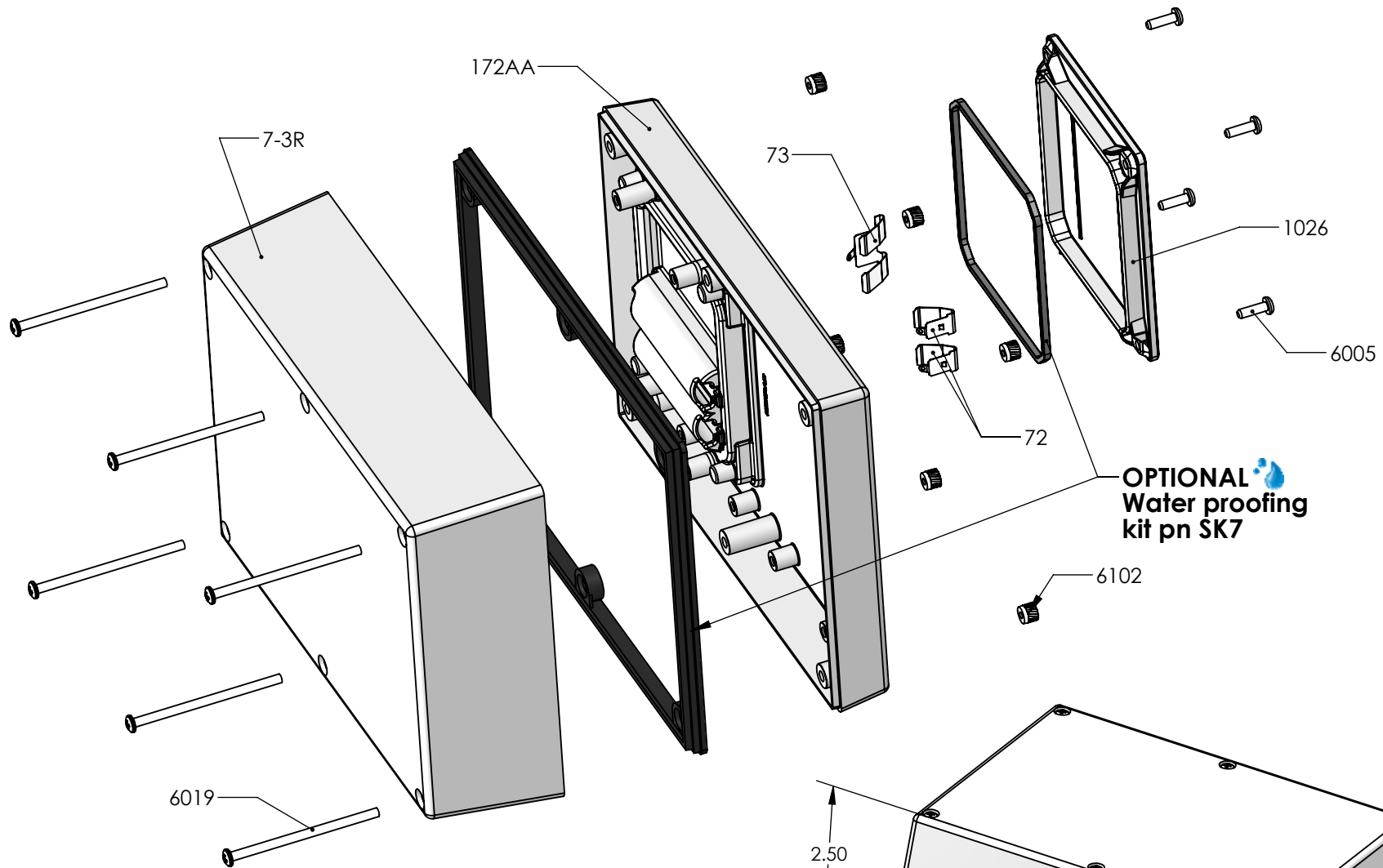
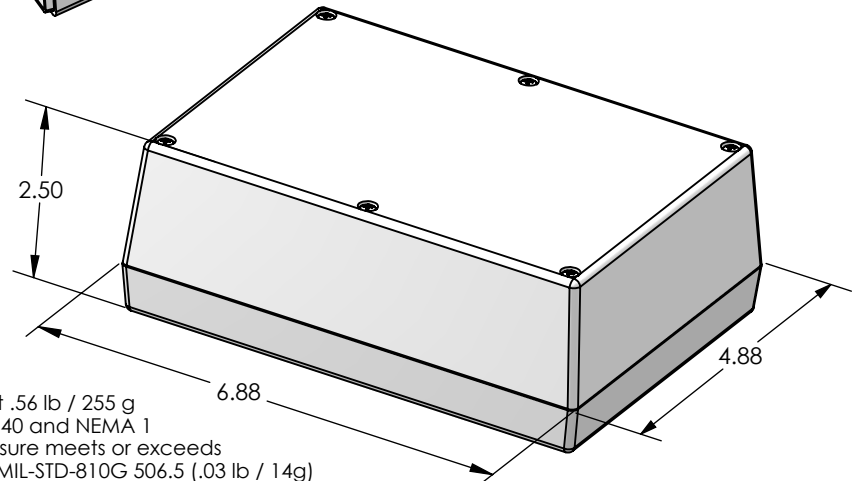


# SERPAC 173R2AA (exploded isometric)

Electronic Enclosures



**OPTIONAL**  
Water proofing  
kit pn SK7

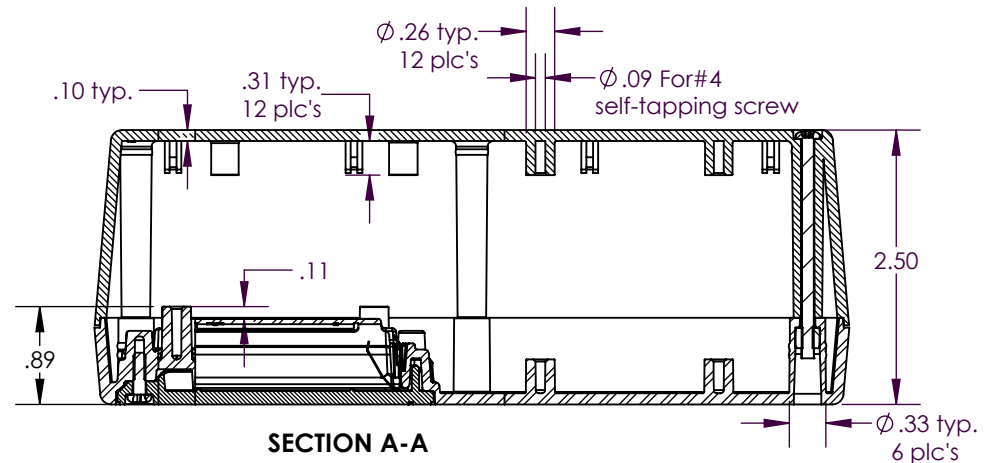
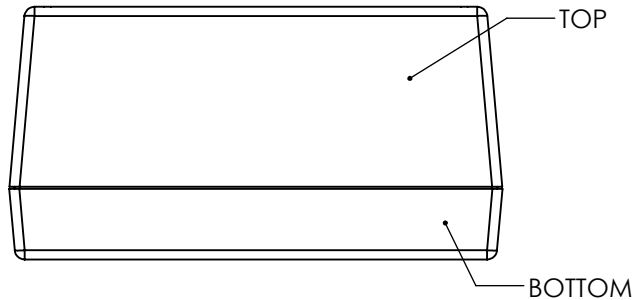
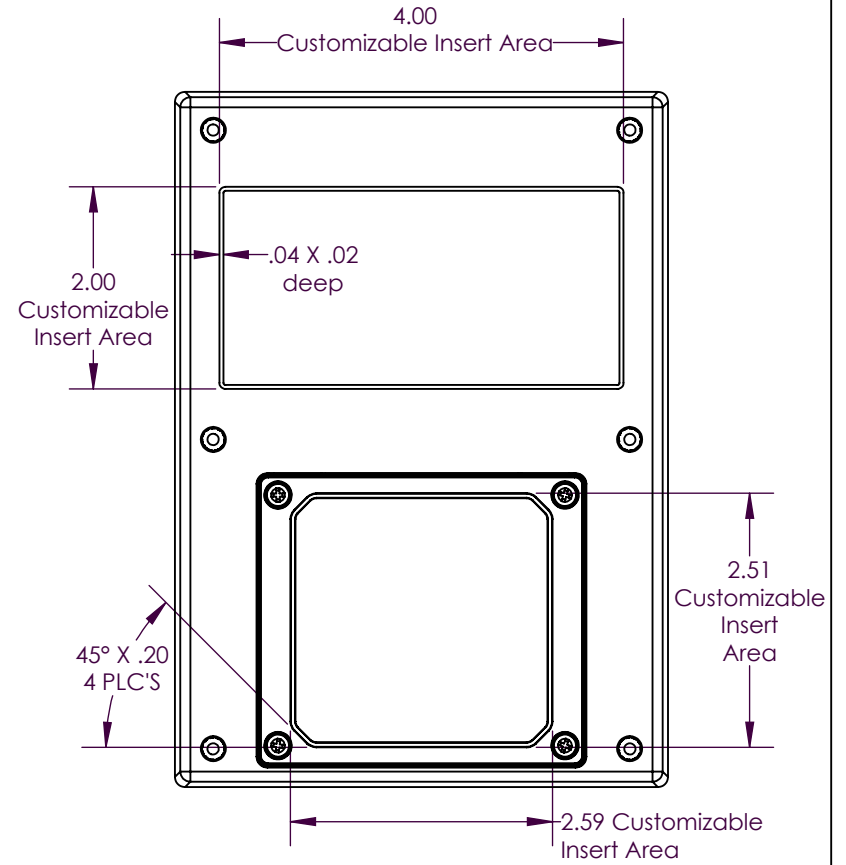
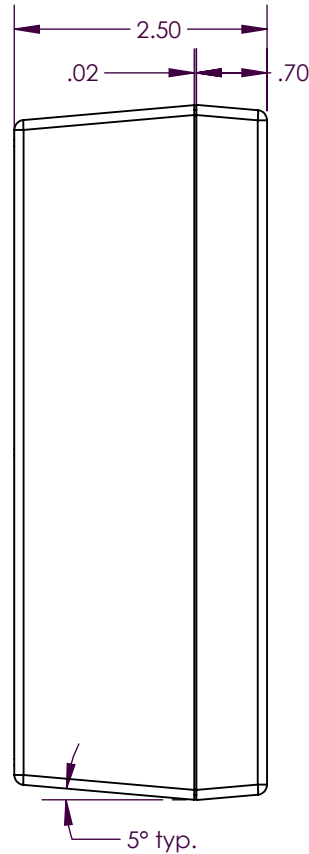
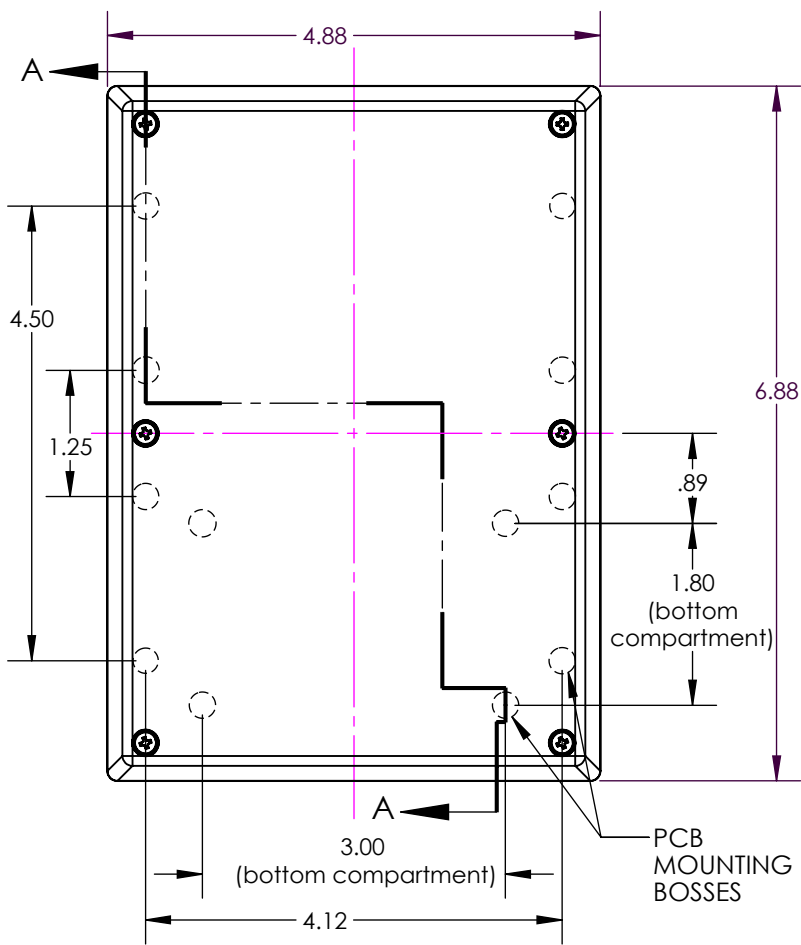


PART NO.	DESCRIPTION (Included)	ACCESSORIES (Optional)	
7-3R	Top	PART NO.	DESCRIPTION
172AA	2AA Bottom	50	Non-skid Feet
1026	Access Door	SK7	Seal Kit for 17X
6005	#4X3/8" Self-Tapping Screw (4)		
6019	4-40 X 2" Screw (6)		
6102	4-40 Threaded Insert (6)		
73	Double Battery Contact		
72	Single Battery Contact (2)		

- Notes:
- 1) Enclosure weight .56 lb / 255 g
  - 2) When used with SK7 the enclosure meets or exceeds IP 67 and NEMA 4X, 12 and 13 MIL-STD-810G 506.5 (.03 lb / 14g)
  - 3) Circuit Board drawings see sheet 3.
  - 4) All components are RoHS Compliant.

# SERPAC 173R2AA

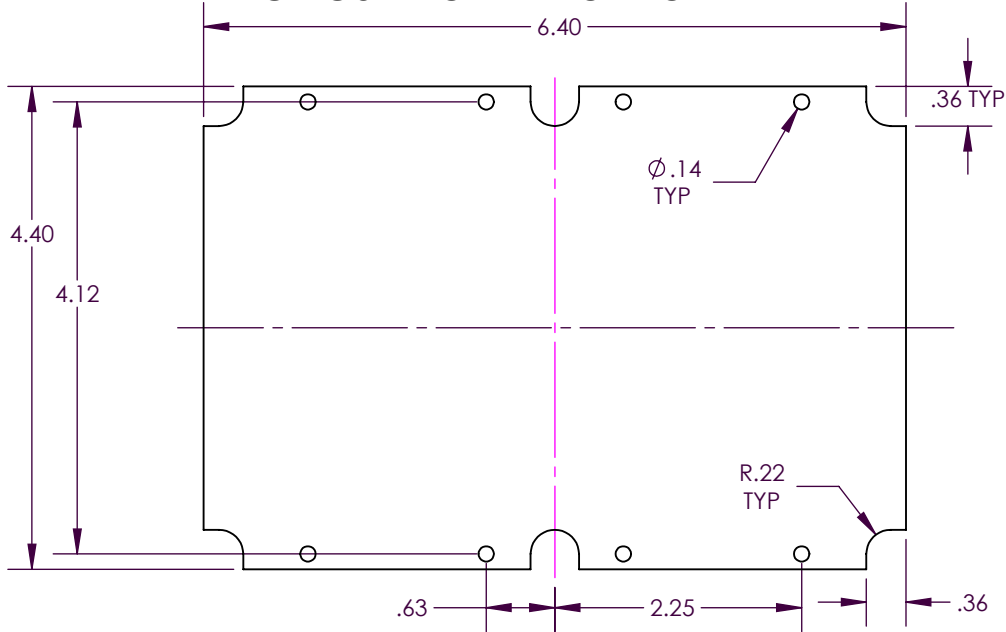
Electronic Enclosures



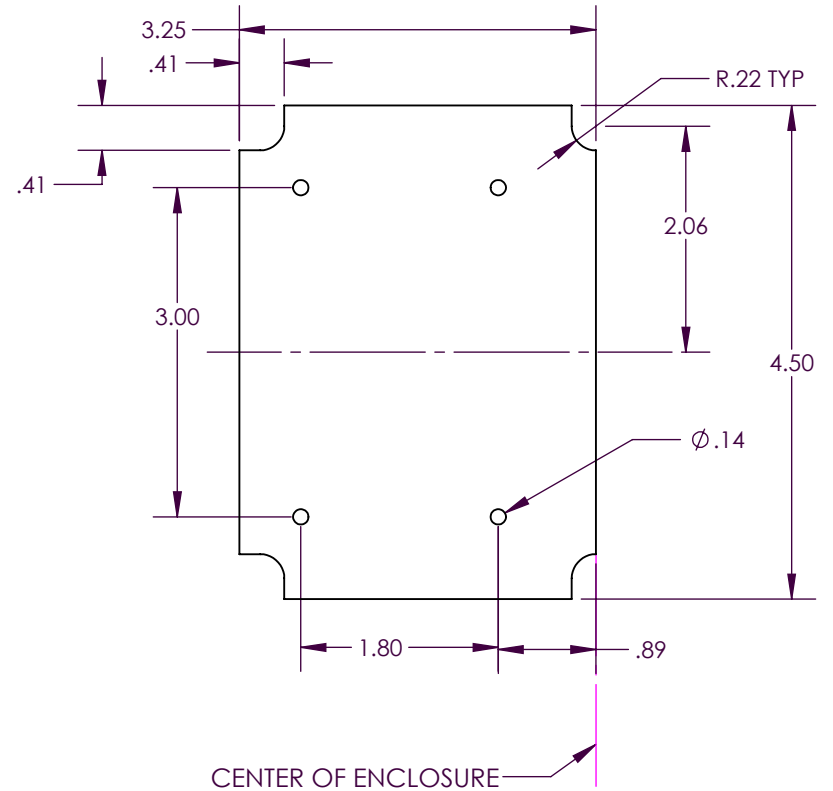
ALL DIMENSIONS ARE ±.010" 9/20/2021 (2 of 3)  
 2009 Wright Ave. La Verne, CA 91750  
 Ph. (626) 331-0517 Fx. (626) 331-8584 www.serpac.com

# PCB for 173 compartment enclosures

**CIRCUIT BOARD FOR TOP**



**CIRCUIT BOARD FOR BOTTOM**



**SMALL CIRCUIT BOARD FOR BOTTOM**

