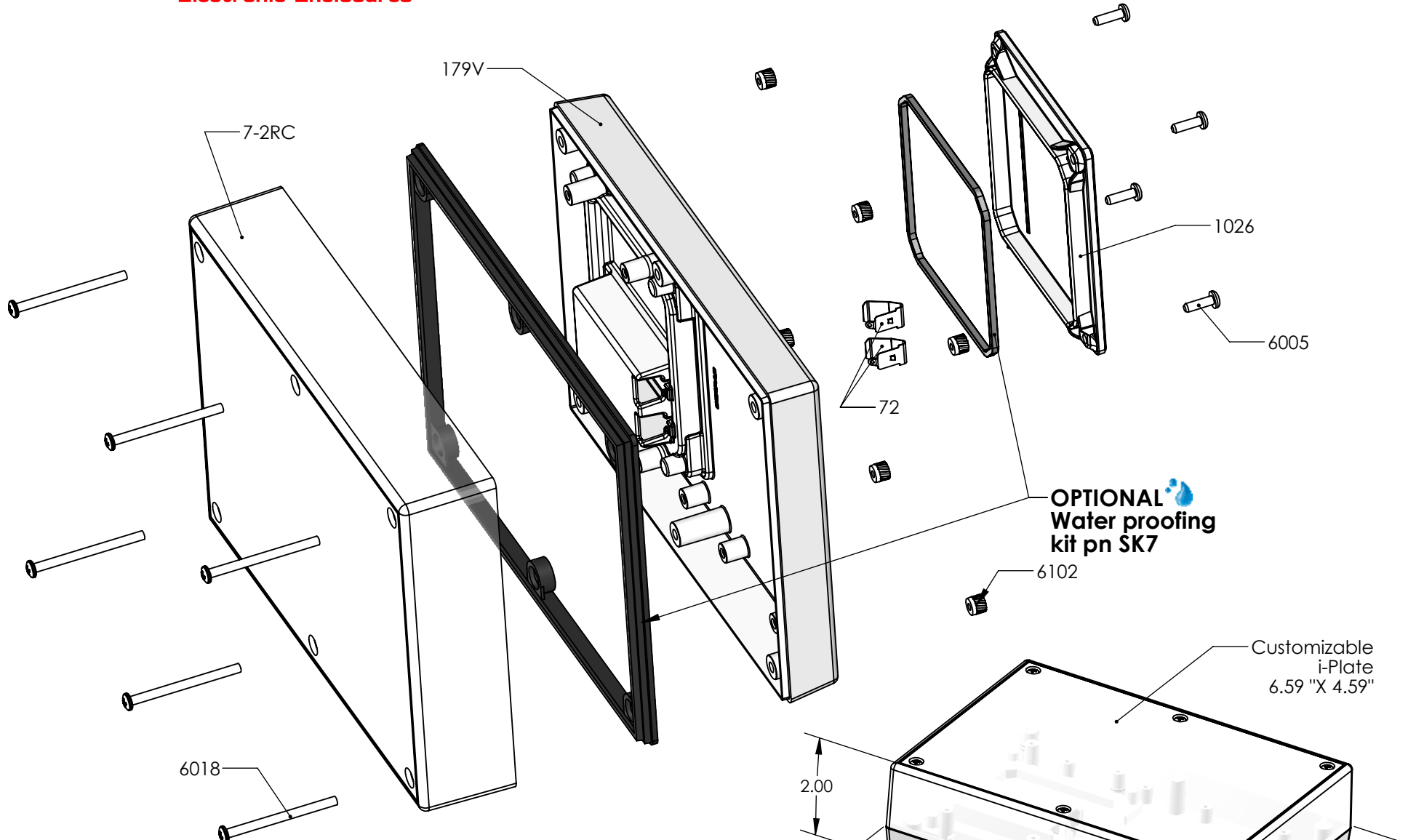


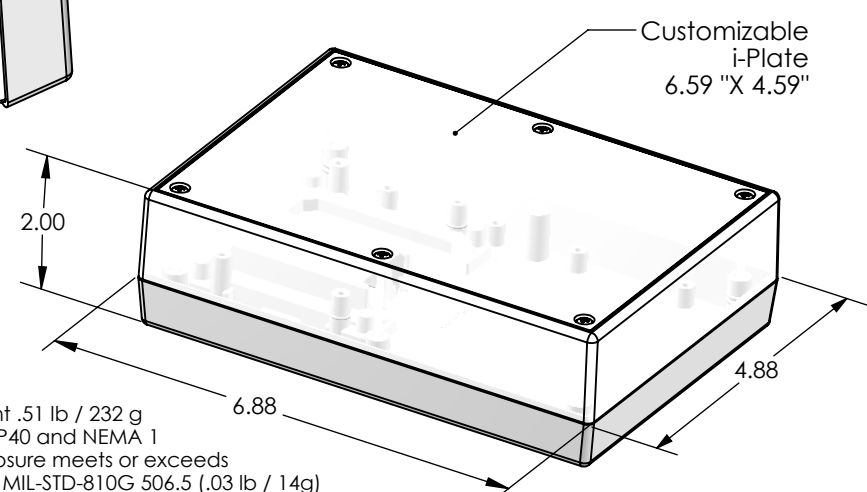
SERPAC 172RC9V (exploded isometric)

Electronic Enclosures



PART NO.	DESCRIPTION (Included)	ACCESSORIES (Optional)
7-2RC	Clear Top	
179V	9V Bottom	
1026	Access Door	
6005	#4 X 3/8" Self-Tapping Screw (4)	
6018	4-40 X 1 1/2" Screw (6)	
6102	4-40 Threaded Insert (6)	
72	Single Battery Contact (2)	
		PART NO. DESCRIPTION
		50 Non-skid Feet
		SK7 Seal Kit for 17X

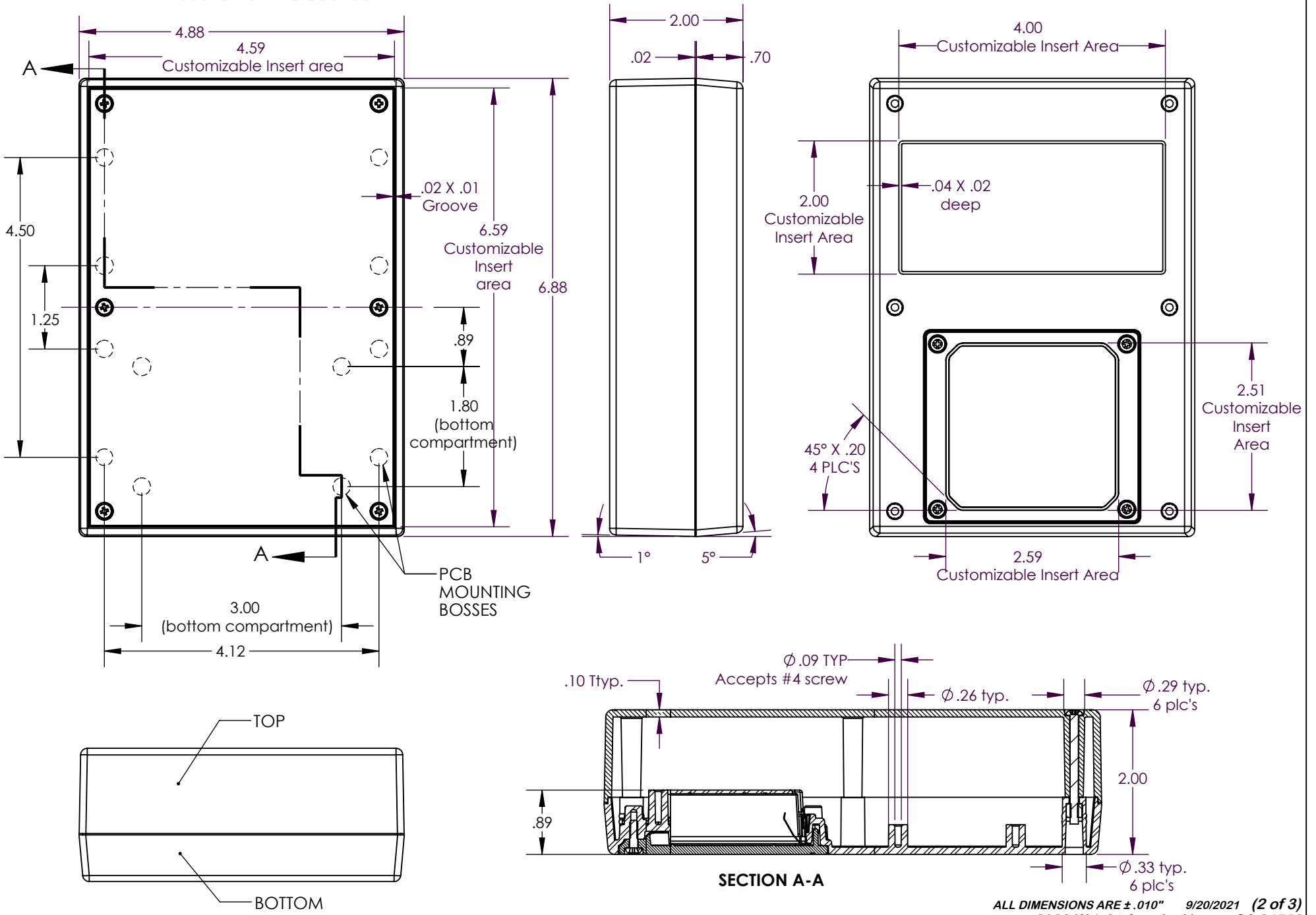
- Notes: Enclosure weight .51 lb / 232 g
- 1) Enclosure meets or exceeds IP40 and NEMA 1
 - 2) When used with SK7 the enclosure meets or exceeds IP 67 and NEMA 4X, 12 and 13 MIL-STD-810G 506.5 (.03 lb / 14g)
 - 3) Circuit Board drawings see sheet 3.
 - 4) All components are RoHS Compliant.



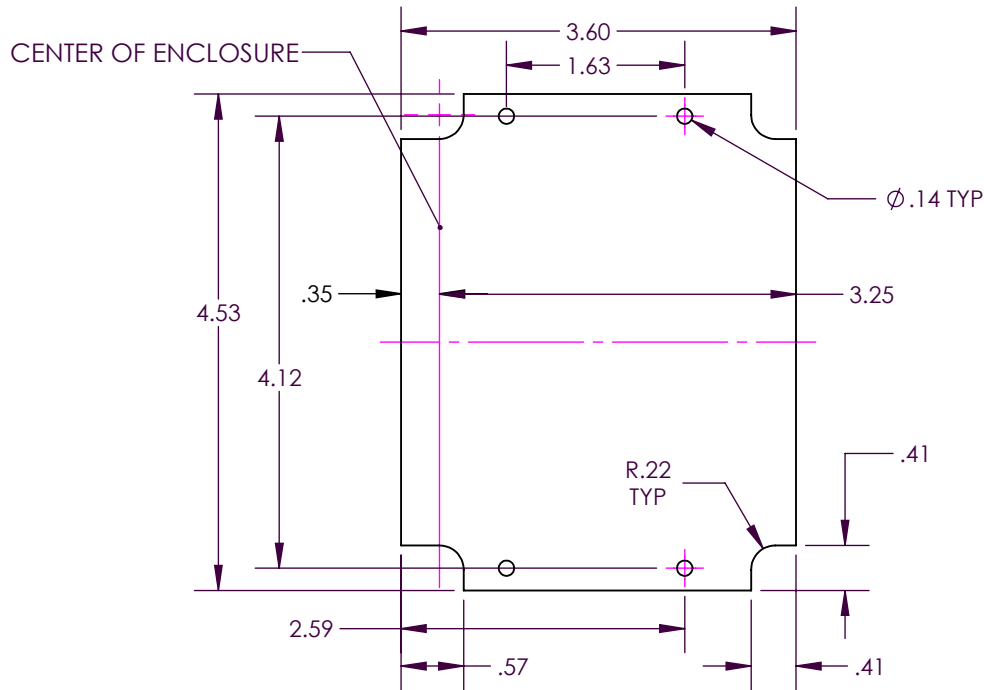
ALL DIMENSIONS ARE ± .010" 9/20/2021 (1 of 3)
 2009 Wright Ave. La Verne, CA 91750
 Ph. (626) 331-0517 Fx. (626) 331-8584 serpac.com

SERPAC 172RC9V

Electronic Enclosures



SMALL CIRCUIT BOARD FOR BOTTOM



CIRCUIT BOARD FOR BOTTOM

