

# 4mm Dual Binding Post

pro-SIGNAL

RoHS  
Compliant



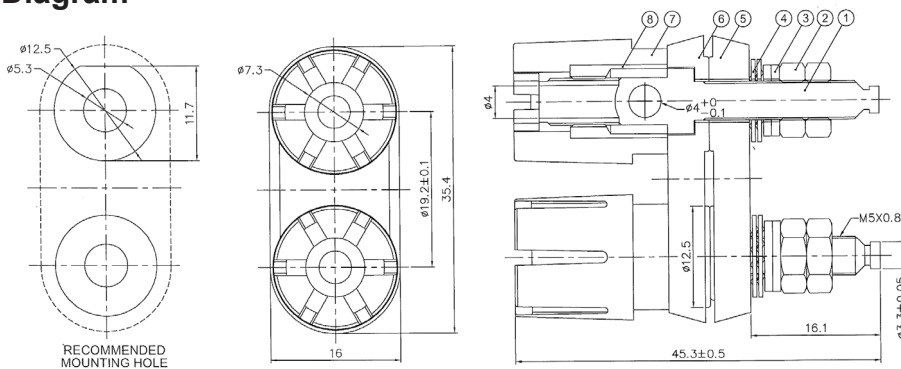
## Features

- 4mm Dual terminal posts for banana plugs, spade connectors or bare wire
- Ideal for use on power supplies & loudspeakers
- Screw termination
- Touch proof terminals

## Specifications

Connector Mounting	: Chassis Mount
Contact Plating	: Nickel Plated Contacts
No. of Contacts	: 2 Contact
Current Rating	: 30A
Spade Terminal	: 6mm
Max. Bare Wire	: Ø3.5mm
Hole Cutout	: 2xØ5mm, 19mm apart

## Diagram



No.	Description	Material	Finish	Qty.
1	Screw Post	H59-1	Nickel	2
2	M5×25 Nut	A3	Nickel	4
3	Washer	A3	Nickel	
4	Washer	65Mn	Black	1
5	Front Cover	PA66	Black	
6	Back Cover	PA66	Black	2
7	Cap	PA66	BK/Dark RD	
8	Knurl Nut	H59-1	Nickel	

Dimensions : Millimetres

## Part Number Table

Description	Part Number
4mm Dual Binding Post	PSG03583

**Important Notice :** This data sheet and its contents (the "Information") belong to the members of the AVNET group of companies (the "Group") or are licensed to it. No licence is granted for the use of it other than for information purposes in connection with the products to which it relates. No licence of any intellectual property rights is granted. The Information is subject to change without notice and replaces all data sheets previously supplied. The Information supplied is believed to be accurate but the Group assumes no responsibility for its accuracy or completeness, any error in or omission from it or for any use made of it. Users of this data sheet should check for themselves the Information and the suitability of the products for their purpose and not make any assumptions based on information included or omitted. Liability for loss or damage resulting from any reliance on the Information or use of it (including liability resulting from negligence or where the Group was aware of the possibility of such loss or damage arising) is excluded. This will not operate to limit or restrict the Group's liability for death or personal injury resulting from its negligence. pro-SIGNAL is the registered trademark of Premier Farnell Limited 2019.

Newark.com/exclusive-brands  
Farnell.com/exclusive-brands  
Element14.com/exclusive-brands

pro-SIGNAL