

90 Degree HDMI Adapter

pro-SIGNAL

RoHS
Compliant



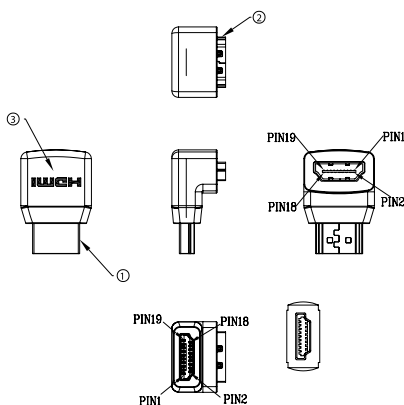
Features

- Moulded HDMI plug to socket adapter
- 90° Adaptor for cable entry from the top and 270° adaptor for cable entry from the bottom
- Prevents kinks in HDMI cables
- Gold plated connectors

Specifications

Inter Series Connector A : HDMI
 Inter Series Connector B : HDMI
 Contact Resistance : 3Ω Max.
 Insulation Resistance : 5MΩ Min.
 Hi-Pot Test : DC 300V/10ms

Diagram



PIN Assignment

1	1
2	2
3	3
4	4
5	5
6	6
7	7
8	8
9	9
10	10
11	11
12	12
13	13
14	14
17	17
19	19
15	15
16	16
18	18
Shell	Shell

No.	Part Name	Description	Unit
1	Connector	HDMI AM 19P Pin:G/F, Shell:Gold plated	1 pcs
2		HDMI FM 19P Pin:G/F, Shell:Gold plated	
3	Outer Molding	Black PVC 45P	20g

Part Number Table

Description	Part Number
90 Degree HDMI Adapter	PSG03841

Dimensions : Millimetres

Important Notice : This data sheet and its contents (the "Information") belong to the members of the AVNET group of companies (the "Group") or are licensed to it. No licence is granted for the use of it other than for information purposes in connection with the products to which it relates. No licence of any intellectual property rights is granted. The Information is subject to change without notice and replaces all data sheets previously supplied. The Information supplied is believed to be accurate but the Group assumes no responsibility for its accuracy or completeness, any error in or omission from it or for any use made of it. Users of this data sheet should check for themselves the Information and the suitability of the products for their purpose and not make any assumptions based on information included or omitted. Liability for loss or damage resulting from any reliance on the Information or use of it (including liability resulting from negligence or where the Group was aware of the possibility of such loss or damage arising) is excluded. This will not operate to limit or restrict the Group's liability for death or personal injury resulting from its negligence. pro-SIGNAL is the registered trademark of Premier Farnell Limited 2019.

Newark.com/exclusive-brands
 Farnell.com/exclusive-brands
 Element14.com/exclusive-brands

pro-SIGNAL