

Gooseneck Condenser Microphone with 3.5m Fixed Lead to 3 Pin XLRM Plug

PULSE



Description

The gooseneck microphone is ideal for podium or lectern miking, and the single flex gooseneck allows for unobtrusive and accurate positioning.

Features

- Single flex gooseneck microphone
- 5/8" Screw base
- 3.5m fixed lead with 3 pin XLRM-Type plug
- Plugs into any standard 3 pin XLRF-type connector
- Supplied with foam windscreen, fixed mount, shock mount adaptor and shock mount base
- Phantom Power Requirements: 11V DC to 52V DC Phantom
- Element: Back Electret - Condenser
- Max. SPL: 143dB, 1kHz @ 1% T.H.D.
- Dynamic Range: 116dB, 1kHz @ Max. SPL
- S/N Ratio: 72dB, 1kHz @ 1Pa
- Low Frequency Roll-Off: 180Hz, 12dB/octave
- Head Diameter: Ø13mm

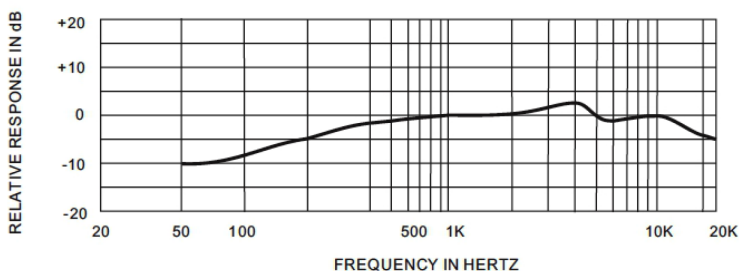
Specifications

Element	: Back Electret-Condenser
Directional Characteristics	: Cardioid
Frequency	: 50Hz to 18,000Hz)
Open Circuit Sensitivity	: -60dB ±3dB (0 db=1 V/microbar 1000 Hz indicated by open circuit)
Impedance	: 200Ω ±30% (at 1000Hz)
Operating Voltage	: Phantom Power 9V DC to 52V DC, 2mA typical
Output	: Integral 3-pin XLRM-type

Mechanical

Extension	: Ø2.6 × 3.2m
-----------	---------------

Frequency Response Curve



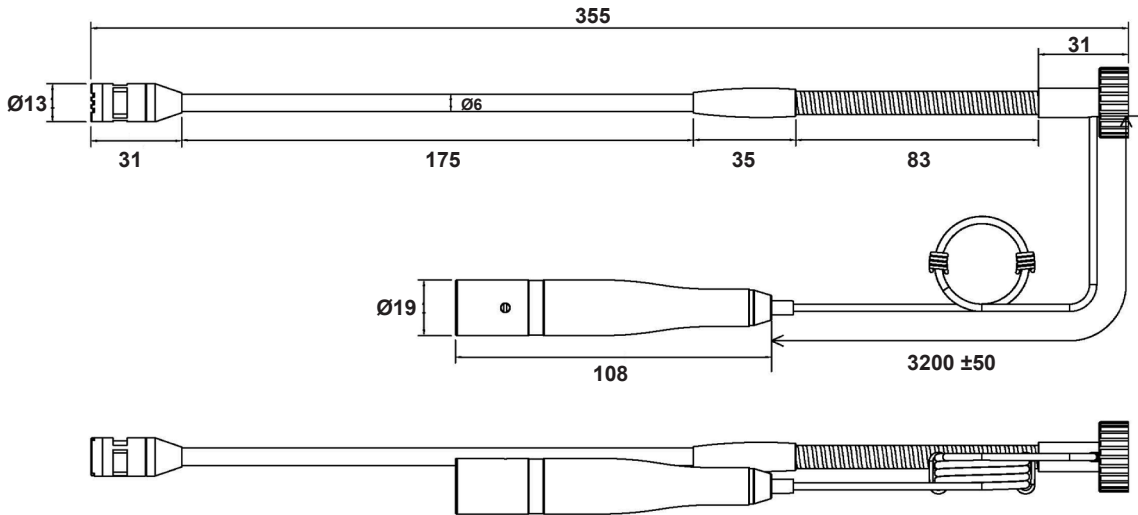
Newark.com/b/Pulse
Farnell.com/b/Pulse
sg.element14.com/b/pulse

PULSE

Gooseneck Condenser Microphone with 3.5m Fixed Lead to 3 Pin XLRM Plug

PULSE

Diagram



Part Number Table

Description	Part Number
Gooseneck Condenser Microphone with 3.5m Fixed Lead to 3 Pin XLRM Plug	GNM-3701

Dimensions : Millimetres

Important Notice : This data sheet and its contents (the "Information") belong to the members of the AVNET group of companies (the "Group") or are licensed to it. No licence is granted for the use of it other than for information purposes in connection with the products to which it relates. No licence of any intellectual property rights is granted. The Information is subject to change without notice and replaces all data sheets previously supplied. The Information supplied is believed to be accurate but the Group assumes no responsibility for its accuracy or completeness, any error in or omission from it or for any use made of it. Users of this data sheet should check for themselves the Information and the suitability of the products for their purpose and not make any assumptions based on information included or omitted. Liability for loss or damage resulting from any reliance on the Information or use of it (including liability resulting from negligence or where the Group was aware of the possibility of such loss or damage arising) is excluded. This will not operate to limit or restrict the Group's liability for death or personal injury resulting from its negligence. PULSE is the registered trademark of Premier Farnell Limited 2019.

Newark.com/b/Pulse
 Farnell.com/b/Pulse
 sg.element14.com/b/pulse

PULSE