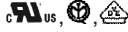


# PCB TERMINAL BLOCKS

## Screwless Vertical Actuator 45° Terminal Block

- Interlocking modules
- 45 degree cable entry
- Kinked pins for soldering retention
- 0.5-1.5mm<sup>2</sup> (30-16AWG) solid & stranded cable
- Guided pin alignment
- Offset pinout allows greater voltage clearance
- End wall CTBV/EW available to order
-  approved

CSTB45VD



SPECIFICATION	3.5mm, 3.81mm	7mm, 7.62mm
Rating	4A/320V UL=4A/300V VDE&IMQ=4A/450V	4A/500V UL=4A/300V VDE&IMQ=4A/750V
Dielectric strength	≥ 2.5kV	
Impulse withstand voltage	4kV	
Working temperature	110°C	
Moulding	Grey UL 94 V0 flame retardant PA	
Pin/contact	Tinned nickel plated, brass	
Recommended PCB hole size	ø1mm	

### 3.5mm

TYPE NO.	POLES	LENGTH
CSTB45VD/2	2	8.5mm
CSTB45VD/3	3	12mm
CSTB45VD/4	4	15.5mm
CSTB45VD/5	5	19mm
CSTB45VD/6	6	22.5mm
CSTB45VD/7	7	26mm
CSTB45VD/8	8	29.5mm
CSTB45VD/9	9	33mm
CSTB45VD/10	10	36.5mm
CSTB45VD/11	11	40mm
CSTB45VD/12	12	43.5mm

### 7mm

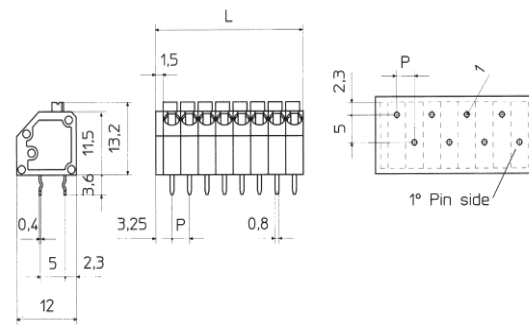
TYPE NO.	POLES	LENGTH
CSTB45VX/2	2	12mm
CSTB45VX/3	3	19mm
CSTB45VX/4	4	26mm
CSTB45VX/5	5	33mm
CSTB45VX/6	6	40mm
CSTB45VX/7	7	47mm
CSTB45VX/8	8	54mm
CSTB45VX/9	9	61mm
CSTB45VX/10	10	68mm
CSTB45VX/11	11	75mm
CSTB45VX/12	12	82mm

### 3.81mm


TYPE NO.	POLES	LENGTH
CSTB45VE/2	2	9.12mm
CSTB45VE/3	3	12.93mm
CSTB45VE/4	4	16.74mm
CSTB45VE/5	5	20.55mm
CSTB45VE/6	6	24.36mm
CSTB45VE/7	7	28.17mm
CSTB45VE/8	8	31.98mm
CSTB45VE/9	9	35.79mm
CSTB45VE/10	10	39.60mm
CSTB45VE/11	11	43.41mm
CSTB45VE/12	12	47.22mm

### 7.62mm

TYPE NO.	POLES	LENGTH
CSTB45VL/2	2	12.93mm
CSTB45VL/3	3	20.55mm
CSTB45VL/4	4	28.17mm
CSTB45VL/5	5	35.79mm
CSTB45VL/6	6	43.41mm
CSTB45VL/7	7	51.03mm
CSTB45VL/8	8	58.65mm
CSTB45VL/9	9	66.27mm
CSTB45VL/10	10	73.89mm
CSTB45VL/11	11	81.51mm
CSTB45VL/12	12	89.13mm



## 5.08mm Pitch Screwless 45° Terminal Block

- 2-7 pole solid block
- Moulded in grey UL94-V0 flame retardant PA
- 0.5-1.5mm<sup>2</sup> (22-16AWG) solid & stranded cable
-  approved

CSTB



TYPE NO.	POLES	LENGTH
CSTB/2	2	10.16mm
CSTB/3	3	15.24mm
CSTB/4	4	20.32mm
CSTB/5	5	25.4mm
CSTB/6	6	30.48mm
CSTB/7	7	35.56mm

SPECIFICATION	
Rating	10A/250V UL=10A/300V, VDE&IMQ=10A/250V
Dielectric strength	≥4kV
Impulse withstand voltage	6kV
Working temperature	110°C
Moulding	UL 94 V0 flame retardant PA
Pin/terminal	Tinned, phosphor bronze
Spring	Zinc plated steel
Recommended PCB hole size	ø1.1mm

