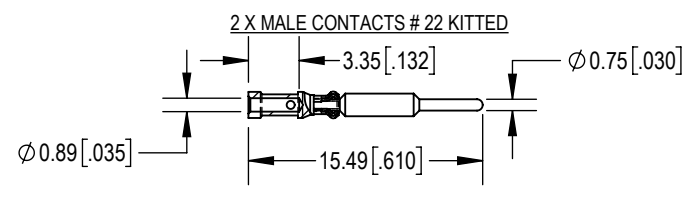
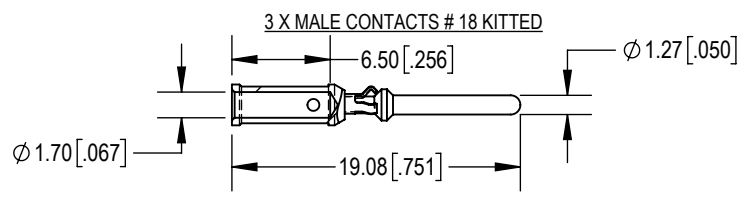


RECOMMENDED TOOLS FOR CRIMP CONTACTS:

1. CONTACT INSERTION TOOL :
 - CONTACT #22 : 9099-7-0
 - CONTACT #18 : 9099-6-0

2. CONTACT EXTRACTION TOOL :
 - CONTACT #22 : 9081-3-0
 - CONTACT #18 : 9081-9-0

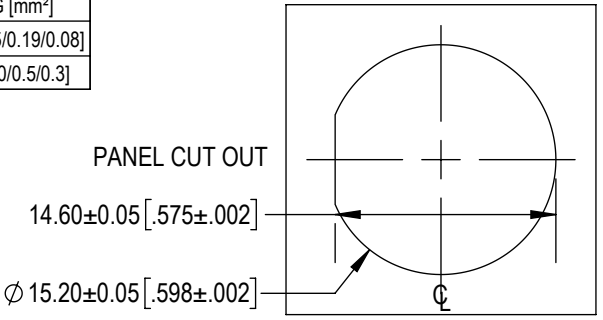
3. ADJUSTABLE HAND CRIMP TOOL :
 - MC422N9 : 9507-0 WITH 9502-12-0 POSITIONER (SETTING : 6/5/4/4)
 - MC1816N : 9507-0 WITH 9502-18-0 POSITIONER (SETTING : 7/7/8/8)



SIZE	MALE	WIRE SIZE AWG [mm²]
22	MC422N9/AA-14	22/24/26/28 [0.3/0.25/0.19/0.08]
18	MC1816N/AA-14	16/18/20/22 [1.3/1.0/0.5/0.3]

NOTES:

- MATERIAL :
 - INSULATOR : LCP, LOW FLAMMABILITY & LOW SMOKE TOXICITY
 - RECEPTACLE HOUSING, OCTAGONAL NUT : ALUMINUM ALLOY WITH ELECTROLESS NICKEL PLATING
 - RETAINER RING : STAINLESS STEEL PASSIVATED
 - O-RING : SILICONE RED COLOR
 - CONTACTS : PRECISION MACHINED COPPER ALLOY WITH GOLD PLATING (0.76-1.02µm) OVER NICKEL
- MECHANICAL CHARACTERISTICS : DURABILITY : 500 CYCLES
- ELECTRICAL CHARACTERISTICS :
 - CONTACT CURRENT RATING :
 - # 18 : 16A MAX WITH A TEMPERATURE RISE AT 35°C
 - # 22 : 3A MAX WITH A TEMPERATURE RISE AT 35°C
 - PROOF VOLTAGE : 1000 VRMS
 - WORKING VOLTAGE : 28 VDC
 - INSULATOR RESISTANCE : > 5 GOHM
- RECOMMENDED TORQUE VALUES : 20 MIN. - 25 MAX. LBS-IN [2.26 - 2.825 N.m]
- CLIMATIC CHARACTERISTICS : SEALING : IP 65 / TEMPERATURE RANGE : -55°C/+125°C
- COMPLIANT TO THE CURRENT ROHS DIRECTIVE.



PART NUMBER DEFINITION :
 PROJECT NUMBER-CONFIGURATION-GENDER-CONTACT FINISH
 P+ YY-WW JOB N#
 EX: PSK170008-100-1-51 P+ 17-46 F365679
 DETAILED PRODUCT, MECHANICAL, AND ELECTRICAL INFORMATION AVAILABLE IN THE LATEST PRODUCT PUBLICATION AT CONNECTPOSITRONIC.COM

BY FL	CHK EB	3RD ANGLE 	POSITRONIC BELIEVES THE DATA ON THE DRAWING TO BE RELIABLE. THE USER EMPLOYS SUCH INFORMATION AT HIS OWN DISCRETION AND RISK. POSITRONIC ASSUMES NO RESPONSIBILITY FOR RESULTS OBTAINED OR DAMAGES INCURRED FROM USE OF SUCH INFORMATION IN WHOLE OR IN PART.	
APR PP	RELEASED DATE: 2020-03-12	SCALE NTS		
TOLERANCES ±0.03mm [.001 INCHES] FOR MALE CONTACT MATING DIAMETERS ±0.08mm [.003 INCHES] FOR CONTACT TERMINATION DIAMETERS ±0.13mm [.005 INCHES] FOR ALL OTHER DIAMETERS ±0.38mm [.015 INCHES] FOR ALL OTHER DIMENSIONS ±5° FOR ALL ANGLES DIMENSION ARE IN MILLIMETERS [INCHES]			PART NUMBER PSK170008-310-1-14	SERIES TALON
TITLE RECEPTACLE WITH MALE CRIMP CONTACTS			CREATED ON: 2020-03-09	SHEET SHEET 1 OF 1
			REV C	