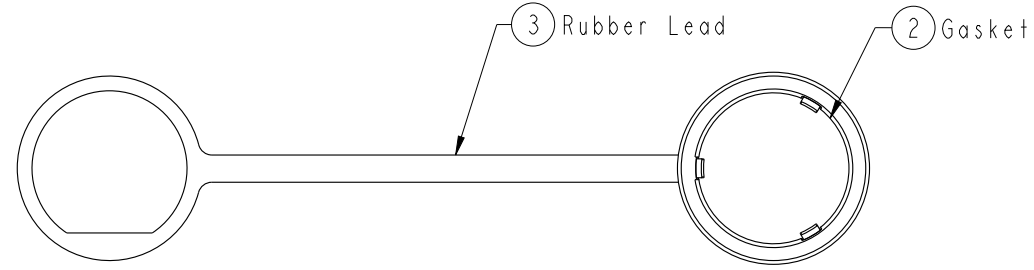
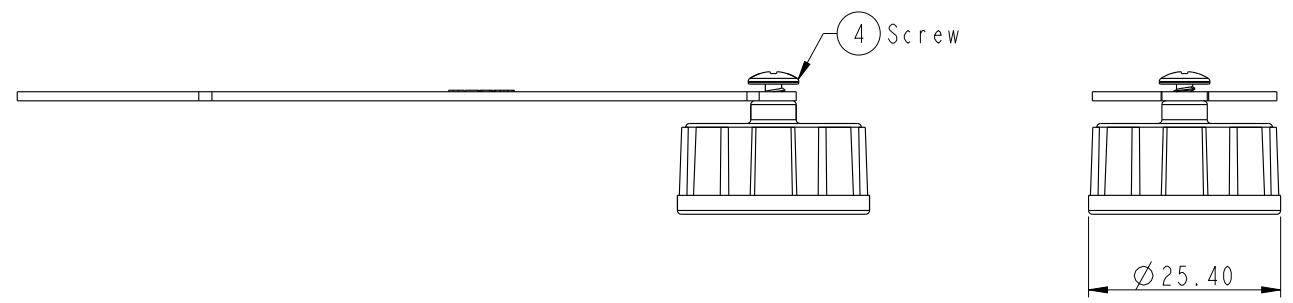
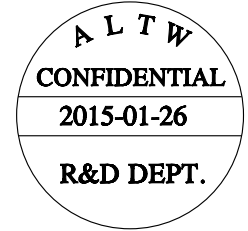
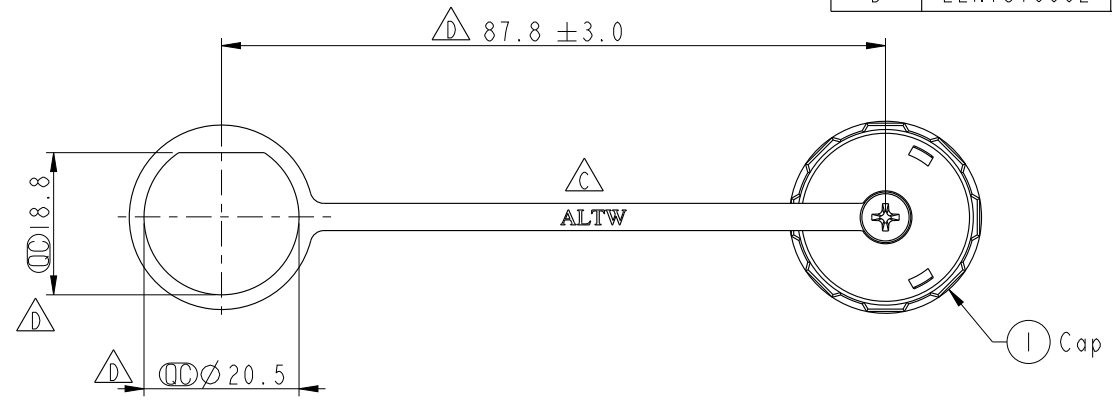


REV.	ECN NO.	DATE	SIGN	DESCRIPTION
A	Initial Release	2013/09/10	Vicky	Old Item No. CAP-WACPLMC2
B	LEN1420147	2014/02/19	Vicky	Update DWG No.
C	LEN1470113	2014/07/04	Sam	Change LOGO
D	LEN1510692	2015/01/26	Mafei	Updated The Dimension.



Note:

- * \varnothing Important Dimension.
- * Waterproof Rate: IP67
- * Cap: Nylon+GF, Black
- * Gasket: Silicone. Black
- * Rubber Lead: TPES, Black
- * Screw is not allowed to tight (Chain be revolve)
不可將螺絲鎖緊, (鏈條要可旋轉)

UNIT:mm		
TOLERANCE		
.X	±0.25	
.XX	±0.1	
.XXX	±0.05	
ANGLES	±1°	

TITLE Waterproof Cap,C Size,RJ 13/16"-28 UN, Male Conn, 3 Point Lock			
SCALE 1:2	SIZE A4	SHEET 1 OF 1	
REV. D	WC-REV. B.2	\varnothing : Inspection item	

Amphenol LTW
安費諾亮泰企業股份有限公司

ITEM NO CAP-WACMTPCI	DRAWN BY Mafei	DATE 2015-01-26
DWG NO CAP-WACMTPCI	CHECKED BY Arthur	DATE 2015-01-26
CUSTOMER ALTW	APPROVED BY Jerry	DATE 2015-01-26

THIS DOCUMENT IS SUBJECT TO CHANGE WITHOUT NOTICE. IT IS CONFIDENTIAL AND A PROPERTY OF Amphenol LTW. DISCLOSURE TO THIRD PARTY HAS TO BE AUTHORIZED BY Amphenol LTW.