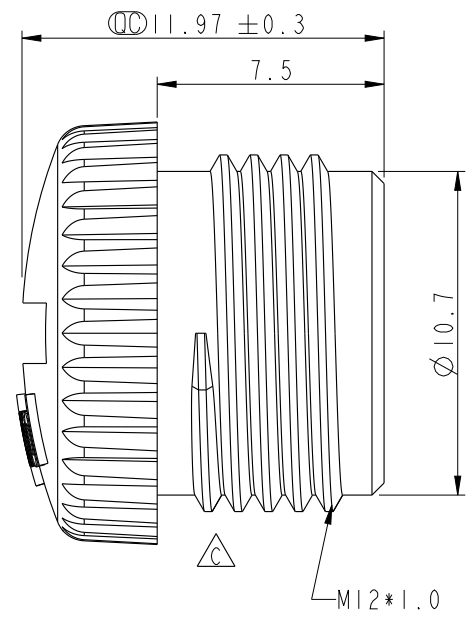
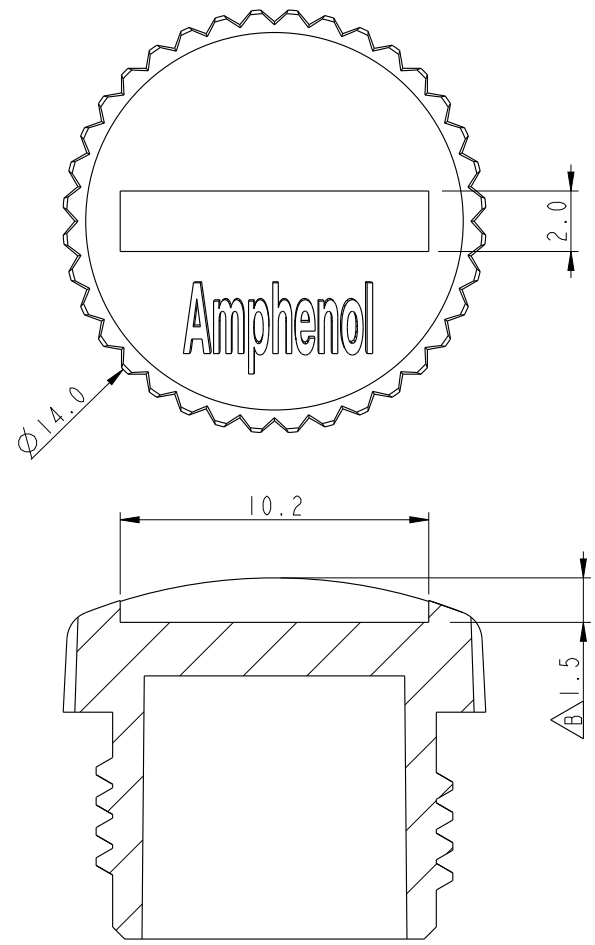


THIS DOCUMENT IS SUBJECT TO CHANGE WITHOUT NOTICE. IT IS CONFIDENTIAL AND A PROPERTY OF Amphenol LTW. DISCLOSURE TO THIRD PARTY HAS TO BE AUTHORIZED BY Amphenol LTW.

REV.	ECN NO.	DATE	SIGN	DESCRIPTION
A	Initial Release	2013/09/12	Vicky	Old Item No. CAP-WBDMFSA1
B	LEN1490175	2014/09/11	Vicky	Update Dimension
C	LEN1780548	2017-08-05	Lingpeng	Change The Length Of Thread

**ALTW**  
**CONFIDENTIAL**  
 2017-08-05  
**R&D DEPT.**



**ALTW**  
 DCC. DEPT.  
 CONFIDENTIAL  
 2017.08.14  
**ISSUED**

Note:  
 \*  $\text{⌀}$  Important Dimension.  
 \* Waterproof Rate: IP67  
 \* Cap: PC+ABS, Black

UNIT: mm		
TOLERANCE		
.X	±0.25	
.XX	±0.1	
.XXX	±0.05	
ANGLES	±1°	

TITLE Waterproof Cap M12*1.0P For Female Conn Screw Type			
SCALE 4:1	SIZE A4	SHEET 1 OF 1	
REV. C	WC-REV. A.2	$\text{⌀}$ : Inspection item	

**Amphenol LTW**  
 安費諾亮泰企業股份有限公司

ITEM NO. CAP-WBDFSMA1	DRAWN BY Lingpeng	DATE 2017-08-05
DWG NO. CAP-WBDFSMA1	CHECKED BY Feng_Li	DATE 2017-08-05
CUSTOMER ALTW	APPROVED BY Jerry	DATE 2017-08-05