

P	LTR	REVISIONS ÄNDERUNGEN DESCRIPTION BESCHREIBUNG	DATE	DWN	APVD
A2		DESCRIPTION CORRECTED FROM SOLDER TO SCREW TERMINAL IN TITLE BLOCK	13NOV2014	CR	JK
A3		ECR-17-000922. Obsolete PN	29MAY2017	X.X	X.X
A4		ECR-18-005237. REACTIVE PN	04APR2018	T.F	C.W
A5		ECR-19-018487	27NOV2019	BP	CW

TECHNICAL DATA	2-2271116-1	2-2271116-2	3-2271116-1	3-2271116-2	4-2271116-1	4-2271116-2	5-2271116-2	6-2271116-2
RATED VOLTAGE	250V	250V	250V	250V	125V	125V	60V	30V
RATED IMPULSE VOLTAGE	2500V	2500V	2500V	2500V	1500V	1500V	800V	500V
POLLUTION DEGREE	3	3	3	3	3	3	3	3
OVERVOLTAGE CATEGORY	II	II	II	II	II	II	II	II
MATERIAL GROUP	II	II	II	II	II	II	II	II
RATED CURRENT	4A	4A	4A	4A	4A	4A	2A	2A
VOLUME RESISTIVITY	≤ 8mΩ	≤ 8mΩ	≤ 8mΩ	≤ 8mΩ	≤ 8mΩ	≤ 8mΩ	≤ 3mΩ	≤ 3mΩ
DEGREE OF PROTECTION	IP67	IP67	IP67	IP67	IP67	IP67	IP67	IP67
UPPER TEMPERATURE	+85 °C	+85 °C	+85 °C	+85 °C	+85 °C	+85 °C	+85 °C	+85 °C
LOWER TEMPERATURE	-40 °C	-40 °C	-40 °C	-40 °C	-40 °C	-40 °C	-40 °C	-40 °C

1 MATERIAL: ITEM NO. 1: HOUSING - PA  
 ITEM NO. 2: CONTACT BODY - PA  
 ITEM NO. 3: CONTACT - CuZn (brass)

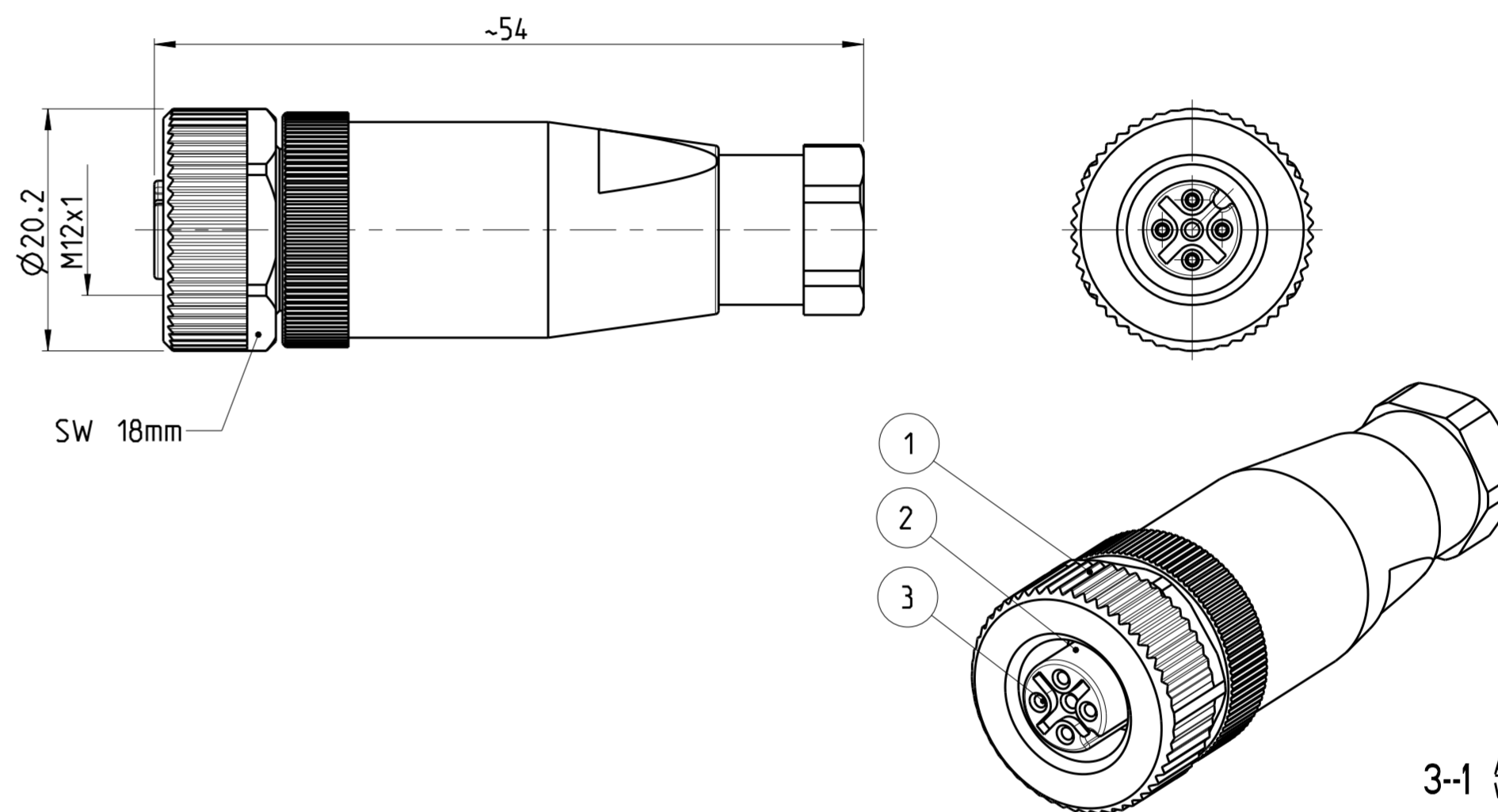
2 CONTACT FINISH - CuSnZn (Optalloy)

3 CONTACT FINISH - Au (gold)

4 ALL DIMENSIONS ARE FOR NOMINAL REFERENCE ONLY UNLESS OTHERWISE STATED

5 MEASUREMENT REFERENCE ONLY

6 PACKAGING: 1 PIECE IN A BAG



PIN ARRANGEMENT  
A-CODING (SCALE 2:1)

2-2271116-1	2-2271116-2	3-2271116-1	3-2271116-2
4-2271116-1	4-2271116-2	5-2271116-2	6-2271116-2

3-1 AS SHOWN  
WIE GEZEICHNET

TERMINAL TYPE	CABLE FEED-THROUGH mm	WIRES AWG / mm <sup>2</sup>	MATERIAL	NUMBER OF POLES	TE-PART-NO.
SOLDER CUP	6-8	24 / 0.25mm <sup>2</sup>	1 3	12	6-2271116-2
SCREW	6-8	20 / 0.50mm <sup>2</sup>	1 3	8	<del>5-2274116-2</del>
SCREW	6-8	18 / 0.75mm <sup>2</sup>	1 2	5	<del>4-2274116-2</del>
SCREW	4-6	18 / 0.75mm <sup>2</sup>	1 2	5	<del>4-2274116-1</del>
SCREW	6-8	18 / 0.75mm <sup>2</sup>	1 2	4	<del>3-2274116-2</del>
SCREW	4-6	18 / 0.75mm <sup>2</sup>	1 2	4	<del>3-2274116-1</del>
SCREW	6-8	18 / 0.75mm <sup>2</sup>	1 2	3	<del>2-2274116-2</del>
SCREW	4-6	18 / 0.75mm <sup>2</sup>	1 2	3	<del>2-2274116-1</del>

DIESE ZEICHNUNG IST EIN KONTROLLIERTES DOKUMENT. BEMASSUNGEN UND TOLERANZEN GEMAESS GPS (ISO STANDARDS). THIS DRAWING IS A CONTROLLED DOCUMENT. DIMENSIONING AND TOLERANCING PER GPS (ISO STANDARDS).

DIMENSIONS: MASSE/MAEßEN: (mm) TOLERANCES UNLESS OTHERWISE SPECIFIED: ALLGEMEINTOLERANZEN

MATERIAL: -

DWN: YASHKUMAR 25APR2014  
 CHK: M.SIRELOW 25APR2014  
 APVD: C.SCHREITLINGER 25APR2014

PRODUCT SPEC: 108-19483  
 APPLICATION SPEC: 114-32127

NAME: M12 RECEPTACLE, STRAIGHT, FIELD INSTALLABLE, UNSHIELDED CONNECTOR, A-CODING

SIZE: A2 CAGE CODE: 00779 DRAWING NO: C-2271116

Customer Drawing / KUNDENZEICHNUNG SCALE: 2:1 SHEET: 1 OF 1 REV: A5

RESTRICTED TO NUR FÜR: -

SIZE ISO 14405 (E)