

# IEC Mains Power Cords

## IEC C13 Socket to Free End

pro-ELEC

RoHS  
Compliant



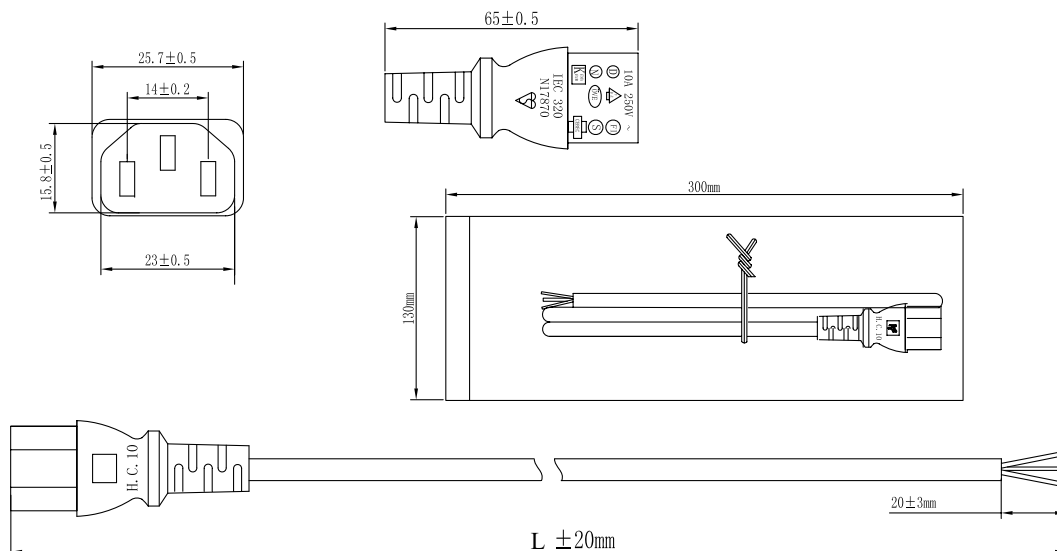
### Features

- Manufactured from 1mm<sup>2</sup> cable
- For equipment up to 10A

### Specification

Connector A	: IEC 60320 C13 Socket
Connector B	: Free End
Cable Length - Metric	: 1m
Current Rating	: 10A
Voltage Rating	: 240V AC
Jacket Colour	: Black

### Diagram



Dimensions : Millimetres

### Part Number Table

Description	Length (L)	Part Number
Mains Power Cord, IEC C13 Socket to Free End, Black, 250V AC, 10A	1m	PE01033
	2m	PELR0002
	3m	PELR0003
	5m	PELR0004

**Important Notice** : This data sheet and its contents (the "Information") belong to the members of the AVNET group of companies (the "Group") or are licensed to it. No licence is granted for the use of it other than for information purposes in connection with the products to which it relates. No licence of any intellectual property rights is granted. The Information is subject to change without notice and replaces all data sheets previously supplied. The Information supplied is believed to be accurate but the Group assumes no responsibility for its accuracy or completeness, any error in or omission from it or for any use made of it. Users of this data sheet should check for themselves the Information and the suitability of the products for their purpose and not make any assumptions based on information included or omitted. Liability for loss or damage resulting from any reliance on the Information or use of it (including liability resulting from negligence or where the Group was aware of the possibility of such loss or damage arising) is excluded. This will not operate to limit or restrict the Group's liability for death or personal injury resulting from its negligence. pro-ELEC is the registered trademark of Premier Farnell Limited 2019.

Newark.com/exclusive-brands  
Farnell.com/exclusive-brands  
Element14.com/exclusive-brands

pro-ELEC