

EUROPEAN 2-PIN PLUG-IN POWER SUPPLY 5 VDC 5 WATT

POWERPAX: SW4304C

Features:

- European Fixed AC Head
- 1 Year Warranty
- Level VI Efficiency
- CE Approved



Description:

Our Range of Class II 5 Watt AC/DC European plug-in power supplies provide 5 Watts of continuous power in a compact fixed wall plug enclosure suitable for use in many general power applications.

| Specification | |
|--------------------------|--|
| Part Number | SW4304C |
| Input Voltage Range | 90-264Vac |
| Input Frequency Range | 50-60Hz |
| Input Current Rated | 0.18A |
| Output Voltage Rating | 5V |
| Output Current Range | 1A |
| Output Min Current | 0.01A |
| Output Connection Type | 2.1x5.5x12mm Centre Positive – Straight |
| Total Output Regulation | +/- 5% |
| Line and Load Regulation | +/- 5% |
| Ripple & Noise | 200mA |
| Efficiency | 73.62% |
| Over Voltage Protection | Auto-recovery |
| Over Load Protection | Auto-recovery |
| Operating Temperature | 0°C to +40°C |
| Storage Temperature | -20°C to +80°C |
| Operating Humidity | 10%-90% |
| Storage Humidity | 10%-90% |
| Hi-Pot | 3000Vac, 5mA, 1 minute |
| Leakage Current | 0.25mA. |
| Safety Standard | FCC part 15: Class B, EN55022:2010, Class B, GB9254-2008, GB17625.1-2012 |
| EMI Standard | TUV/VDE-EN60950-1, Declared& CE Mark |
| MTBF | 30K Hours |
| Size mm max. | 55.1(L) x 24.1(W) x 35.49(H) |
| Weight | 70g |
| Regulator Type | Switched Mode Power Supply |

General Note

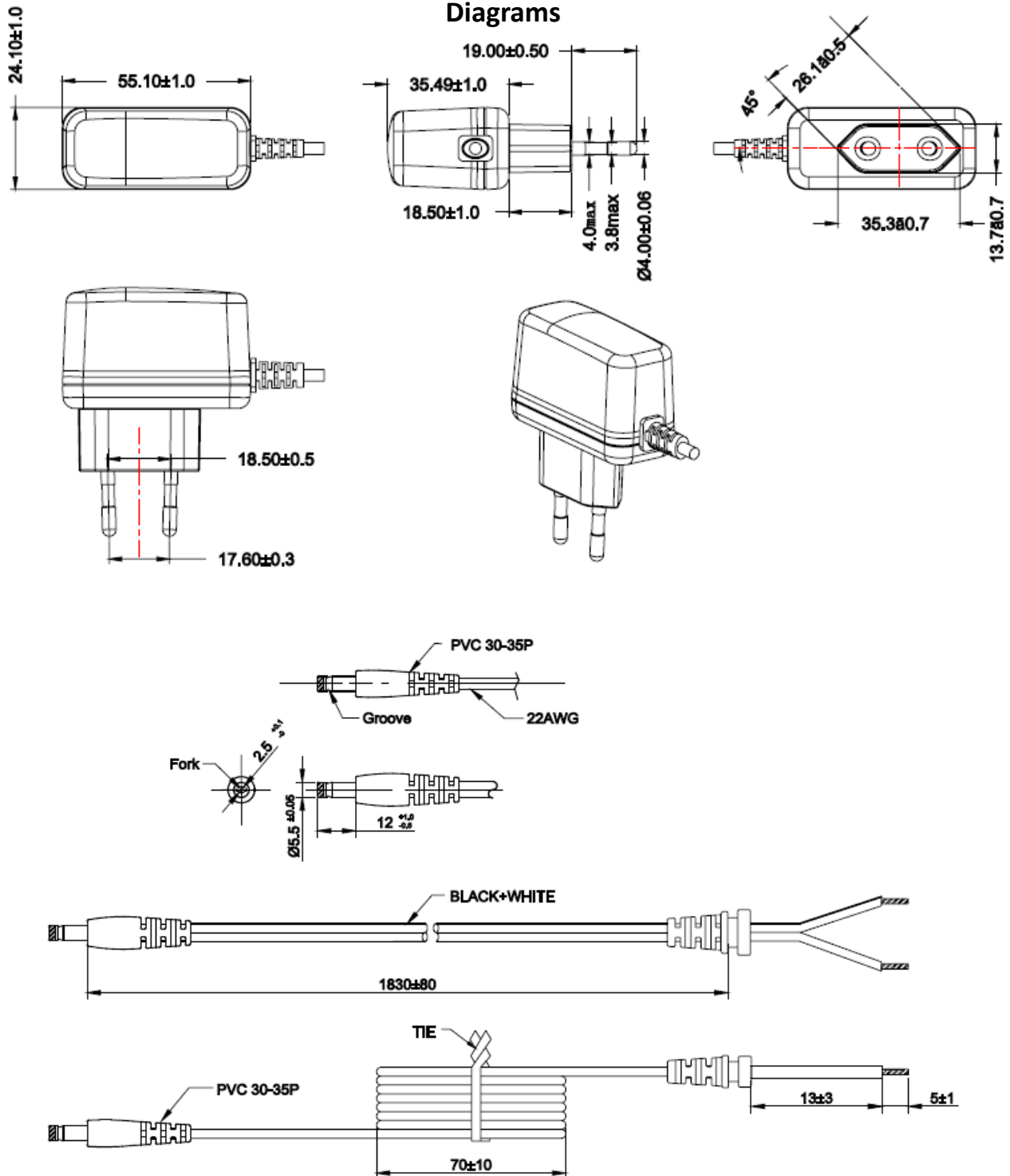
TT Electronics reserves the right to make changes in product specification without notice or liability. All information is subject to TT Electronics' own data and is considered accurate at time of going to print.

POWERPAX

TT Electronics IoT Solutions Ltd
Tofts Farm East, Brenda Road, Hartlepool, TS25 2BQ, UK
t: +44 (0) 1429 852 500

EUROPEAN 2-PIN PLUG-IN POWER SUPPLY 5 VDC 5 WATT POWERPAX: SW4304C

Diagrams



General Note

TT Electronics reserves the right to make changes in product specification without notice or liability. All information is subject to TT Electronics' own data and is considered accurate at time of going to print.

POWERPAX

TT Electronics IoT Solutions Ltd
Tofts Farm East, Brenda Road, Hartlepool, TS25 2BQ, UK
t: +44 (0) 1429 852 500