

# EUROPEAN 2-PIN PLUG-IN POWER SUPPLY 24VDC 12WATT

## POWERPAX: SW4309C



### Features:

- European Fixed AC Head
- 1 Year Warranty
- Level VI Efficiency
- CE Approved

### Description:

Our Range of Class II 12 Watt AC/DC European plug-in power supplies provide 12 Watts of continuous power in a compact fixed wall plug enclosure suitable for use in many general power applications.

Specification	
Part Number	SW4309C
Input Voltage Range	90-264Vac
Input Frequency Range	47-63Hz
Input Current Rated	0.3A Max
Output Voltage Rating	+24V
Output Current Range	0.5A
Output Min Current	0.0A
Output Connection Type	2.5x5.5x12mm Centre Positive – Straight
Load Regulation	+/- 5%
Line Regulation	+/- 1%
Ripple & Noise	200mVp-p
Efficiency	78.88% Min
Over Load Protection	>0.6A
Operating Temperature	0°C to +40°C
Storage Temperature	-20°C to +80°C
Operating Humidity	20% to 85%
Storage Humidity	5% to 95%
Hi-Pot	3000VAC 10mA 1min
Leakage Current	0.25mA max
Safety Standard	CE
EMI Standard	EN55022, EN61000-3-2
MTBF	50K Hours
Size mm max.	35(L) x 49(W) x 78(H)
Weight	80g

### General Note

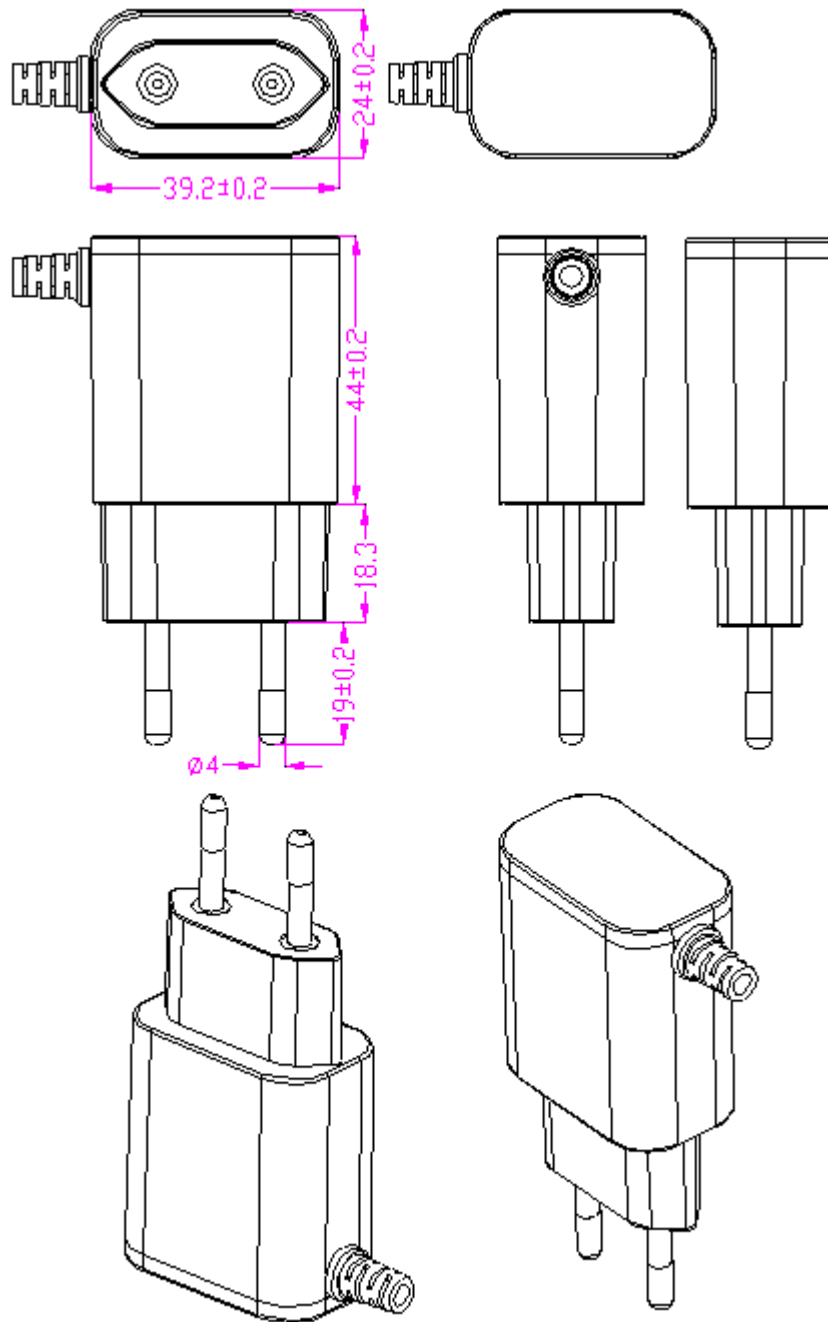
TT Electronics reserves the right to make changes in product specification without notice or liability. All information is subject to TT Electronics' own data and is considered accurate at time of going to print.

### POWERPAX

TT Electronics IoT Solutions Ltd  
Tofts Farm East, Brenda Road, Hartlepool, TS25 2BQ, UK  
t: +44 (0) 1429 852 500

# EUROPEAN 2-PIN PLUG-IN POWER SUPPLY 24VDC 12WATT POWERPAX: SW4309C

## Diagrams



### General Note

TT Electronics reserves the right to make changes in product specification without notice or liability. All information is subject to TT Electronics' own data and is considered accurate at time of going to print.

## POWERPAX

TT Electronics IoT Solutions Ltd  
Tofts Farm East, Brenda Road, Hartlepool, TS25 2BQ, UK  
t: +44 (0) 1429 852 500