

EXTERNAL DESKTOP POWER SUPPLY 24VDC 30WATT

POWERPAX: SW3318-C-A



Features:

- Universal Input
- IEC-320-C8 Input Connector
- 3 Year Warranty
- Efficiency Level VI

Description:

Our Range of 30 Watt AC/DC switch mode power supplies provide 30 Watts of continuous output power in a high quality compact enclosure suitable for many general power applications.

Specification	
Part Code	SW3318-C-A
Input Voltage Range	90 → 264 Vac
Input Frequency Range	47 → 63Hz
Input Connector	IEC 320-C8
Input Current Rated	0.8A Max. @ 100-240Vac input & Full load
Inrush Current	40A Max. @ 264Vac input
Leakage Current	0.25mAmax. at 264Vac / 50Hz
Efficiency	86.95% Min.
Output Voltage Rating	24 VDC
Output Current Range	1.25A
Output Min Current	0.0A
Output Connection Type	2.1 x 5.5 x 12 mm centre positive – Straight
Line Regulation	+/-1%
Load Regulation	+/-5%
Over Current Protection	>1.5A(100-240Vac)
Short Circuit Protection	The power supply shall no damage, and shall be self-recovery when the fault condition is removed
Ripple Voltage	200 mVp-p
Hi-Pot	3000 Vac 10mA 1 min
Safety Approved	CE, FCC/UL, SAA
EMI Standard	EN55022 EN61000-3-2 FCC Part15 CLASS B SAA-151995-EA
Operating Temperature Range	0°C → +40°C
Storage Temperature	-10°C → +80°C
Operating Humidity	10% to 90%
Storage Humidity	5% to 95%
Dimensions	(L) 91.9 x (W) 45.4 x (H) 27.5mm
Product Weight	120g
Regulator Type	Switched Mode Power Supply

General Note

TT Electronics reserves the right to make changes in product specification without notice or liability. All information is subject to TT Electronics' own data and is considered accurate at time of going to print.

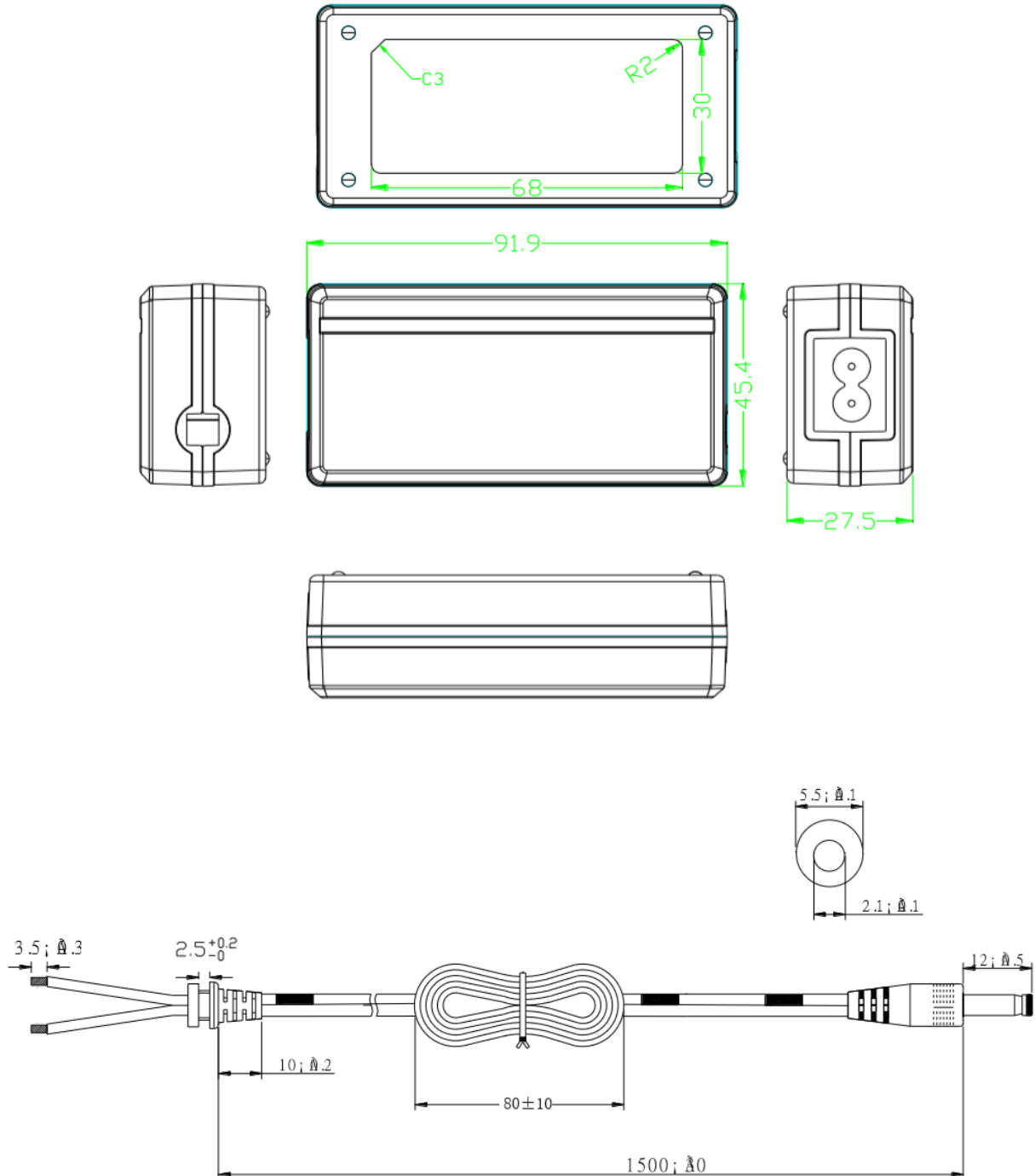
POWERPAX

TT Electronics IoT Solutions Ltd
Tofts Farm East, Brenda Road, Hartlepool, TS25 2BQ, UK
t: +44 (0) 1429 852 500

EXTERNAL DESKTOP POWER SUPPLY 24VDC 30WATT

POWERPAX: SW3318-C-A

Diagrams



General Note

TT Electronics reserves the right to make changes in product specification without notice or liability. All information is subject to TT Electronics' own data and is considered accurate at time of going to print.

POWERPAX

TT Electronics IoT Solutions Ltd
Tofts Farm East, Brenda Road, Hartlepool, TS25 2BQ, UK
t: +44 (0) 1429 852 500