

EUROPEAN 2-PIN PLUG-IN POWER SUPPLY 12VDC 12WATT

POWERPAX: SW4526B

Features:

- European Fixed AC Head
- 1 Year Warranty
- Level VI Efficiency
- CE Approved



Description:

Our Range of Class II 12 Watt AC/DC European plug-in power supplies provide 12 Watts of continuous power in a compact fixed wall plug enclosure suitable for use in many general power applications.

Specification	
Part Number	SW4526B
Input Voltage Range	100-240Vac
Input Frequency Range	47-63Hz
Input Current Rated	0.4A Max
Output Voltage Rating	+12V
Output Current Range	1A
Output Min Current	0.01A
Output Connection Type	2.1x5.5x12mm Centre Positive – Straight
Line and Load Regulation	+/- 5%
Ripple & Noise	120mVp-p
Efficiency	83.26%Min
Short-circuit Protection	The adapter shall not be damaged by short the DC output to Ground.
Over Current Protection	The output shall be protected against the over current conditions.
Operating Temperature	0°C to +50°C
Storage Temperature	-20°C to +80°C
Operating Humidity	10% to 90%
Storage Humidity	10% to 90%
Hi-Pot	3000Vac 5mA 1min
Leakage Current	0.25mA max
Safety Standard	TUV,CE
EMI Standard	FCC part 15: Class B EN55032, Class B
MTBF	50K Hours
Size mm max.	78.98 (L) x 41 (W) x 49.2
Weight	85 g
Regulator Type	Switched Mode Power Supply

General Note

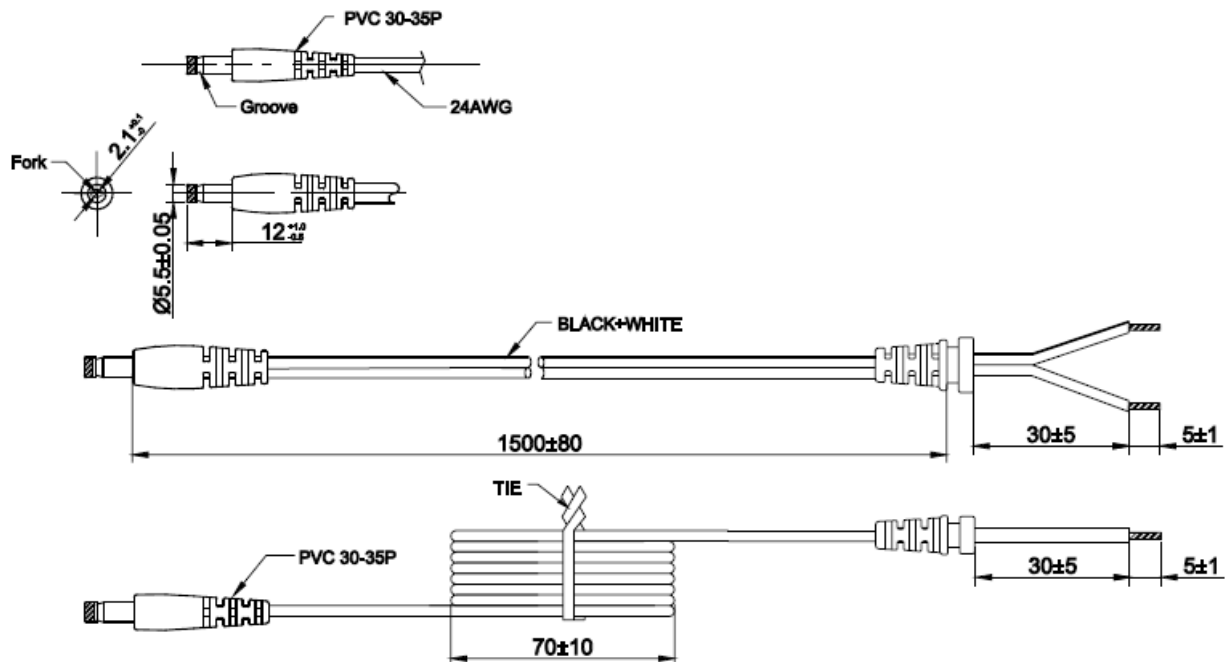
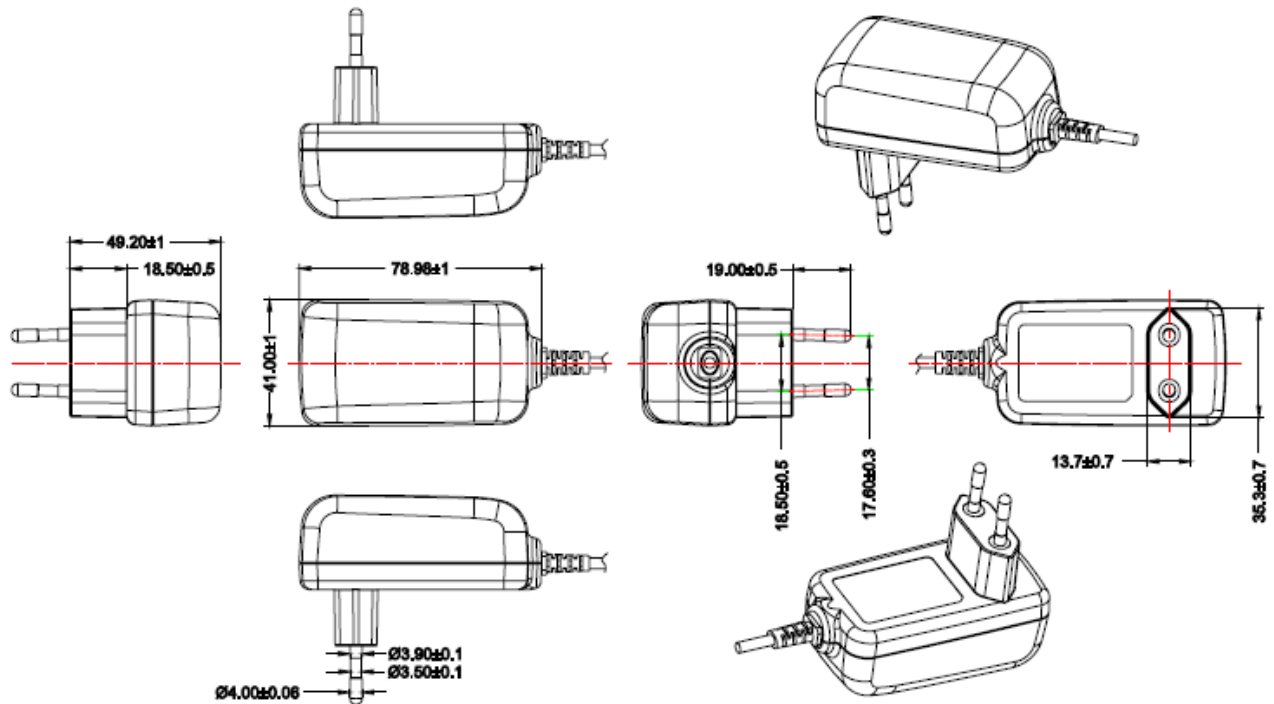
TT Electronics reserves the right to make changes in product specification without notice or liability. All information is subject to TT Electronics' own data and is considered accurate at time of going to print.

POWERPAX

TT Electronics IoT Solutions Ltd
Tofts Farm East, Brenda Road, Hartlepool, TS25 2BQ, UK
t: +44 (0) 1429 852 500

EUROPEAN 2-PIN PLUG-IN POWER SUPPLY 12VDC 12WATT POWERPAX: SW4526B

Diagrams



General Note

TT Electronics reserves the right to make changes in product specification without notice or liability. All information is subject to TT Electronics' own data and is considered accurate at time of going to print.

POWERPAX

TT Electronics IoT Solutions Ltd
Tofts Farm East, Brenda Road, Hartlepool, TS25 2BQ, UK
t: +44 (0) 1429 852 500