

SKU:FIT0788

Case and Heat Sink Kit for CM4 IoT Router Mini

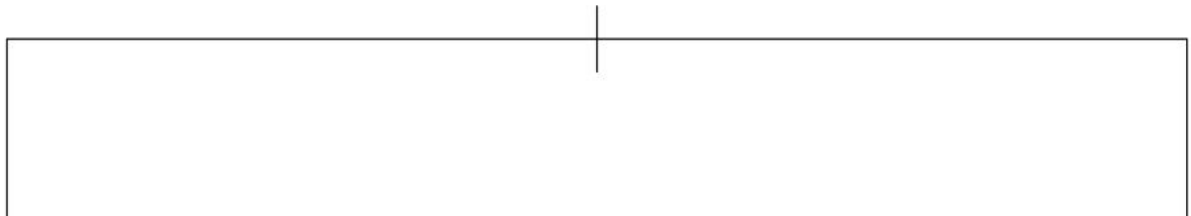


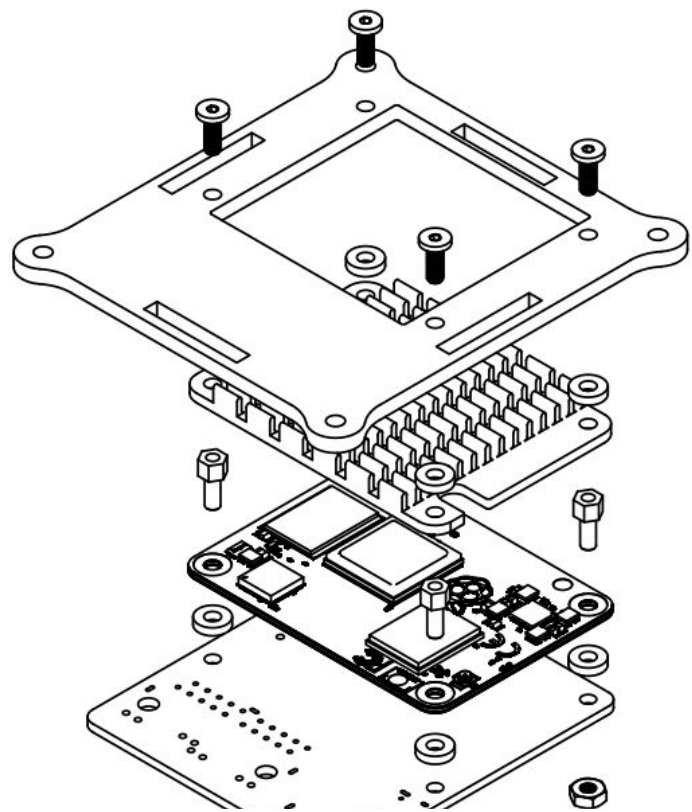


Assembly Tips

1. Please gently twist to remove the acrylic plate
2. Assemble the acrylic board with the frosted side facing outward
3. Between the CM4 and the router board, use **white washers**
Between the heatsink and the shell, use **black washers**

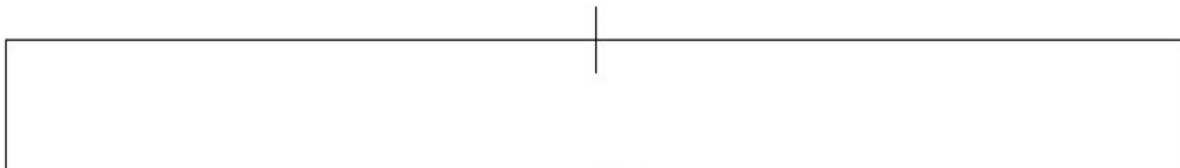
Assembly Diagram

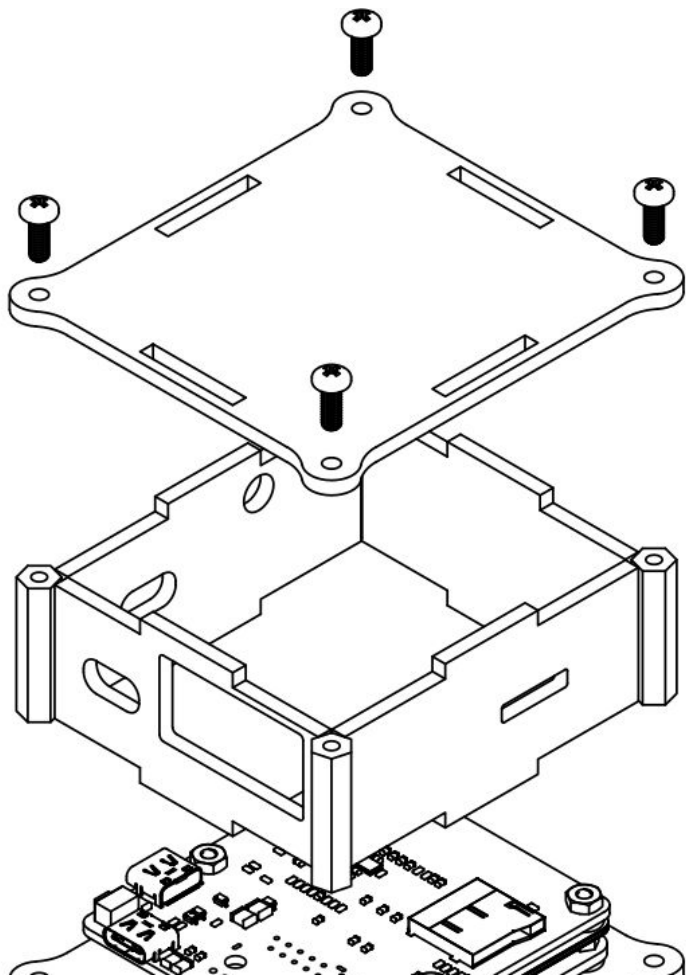


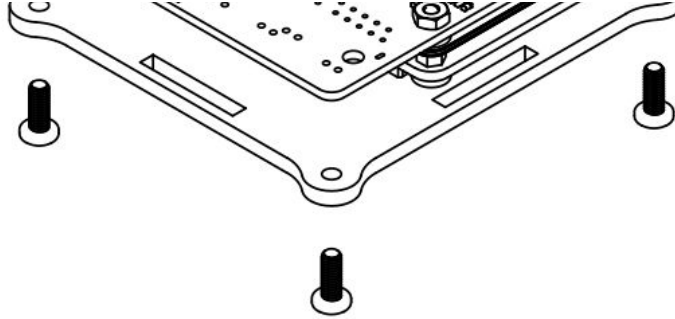




Dept.	Technical reference	Created by DFRobot	2021/5/27		Approved by
		Document type	Document status		
		Title FIT0788 Part A	DWG No.		
		Rev.	Date of issue	Sheet 1/1	







Dept.	Technical reference	Created by DFRobot	2021/6/1	Approved by
		Document type	Document status	
		Title FIT0788 Part B	DWG No.	
		Rev.	Date of issue	Sheet 1/1

More Documents

- FIT0788 Assembly diagram PDF

- FIT0788 Assembly diagram PDF

(<https://dfimg.dfrobot.com/nobody/wiki/269596ae67841131ad3d4bd8d4e105a3.zip>)

- FIT0788 3D Model STEP

(<https://dfimg.dfrobot.com/nobody/wiki/9f39b44366adcac630098f17e3aafef2.zip>)

 DFRobot Store ()