

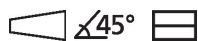
## Product information

# 31 25 160

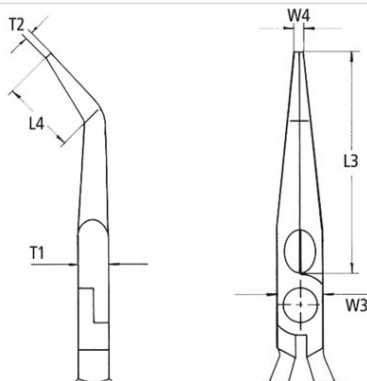
### Flat Nose Pliers

(Needle-Nose Pliers)

- Precision pliers for very exact assembly, bending and adjusting work
- With extra long jaws: length of jaws 55.0 mm
- Smooth ground gripping surfaces
- Edges carefully deburred
- 45° bent jaws
- Chrome vanadium electric steel, forged, oil-hardened



General	
Article No.	31 25 160
EAN	4003773016489
Pliers	chrome-plated
Head	chrome-plated
Handles	with multi-component grips
Weight	123 g
Dimensions	160 x 58 x 23 mm
Reach	no
RohS	no
Technical details	
Jaw thickness (joint) (T1)	7.5 mm
Tips width (W4)	1.8 mm
Tips thickness (T2)	2.5 mm
Gripping surface length (L4)	27.0 mm
Jaw length (L3)	55.0 mm
Head width (W3)	16.0 mm
Head angle	45 °





<b>Classification</b>	
eCl@ss 5.1.4	21040301
ETIM 5.0	EC000833
ETIM 6.0	EC000833
proficl@ss 6.0	AAA004c004
UNSPSC 13.1	27112126

*technical change and errors excepted*