

## Product information

# 92 21 03

## Precision Tweezers



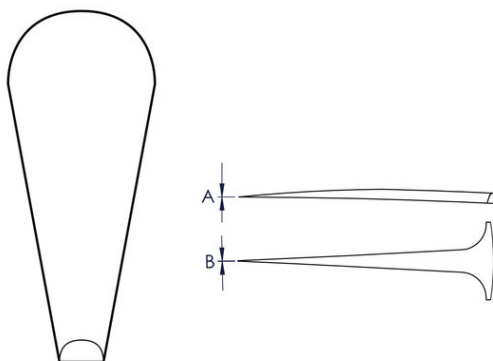
- For particularly demanding precision work: tough and highly resistant to corrosion
- Handcrafted: polished edges and an excellent matt, scratch-free and non-reflective surface
- For the electronics industry, watchmakers, jewellers, laboratories with biological and medical applications in moderately aggressive chemical environments
- High-quality premium stainless steel: high temperature resistance and excellent corrosion resistance to most chemicals, salts and acids
- Ideally suited for microscopic work, precision handling, repairs, manufacturing electronic components, as well as other general applications; tips are guaranteed to have perfect symmetry and balance
- Also available as a set (92 00 02)
- Premium stainless steel

### General

|                   |                          |
|-------------------|--------------------------|
| Article No.       | 92 21 03                 |
| EAN               | 4003773085089            |
| Material          | premium stainless steel  |
| Gripping surfaces | smooth gripping surfaces |
| Weight            | 13 g                     |
| Dimensions        | 110 x 10 x 11 mm         |
| Reach             | no                       |
| RohS              | no                       |

### Technical details

|                     |                      |
|---------------------|----------------------|
| Tips width (A)      | 0.06 mm              |
| Tips width (B)      | 0.12 mm              |
| Corrosion-resistant | yes                  |
|                     | no                   |
| VDE tested          | no                   |
| sectors             | Industry electronics |



### Classification

|                |            |
|----------------|------------|
| eCl@ss 5.1.4   | 21040500   |
| ETIM 5.0       | EC000182   |
| ETIM 6.0       | EC000182   |
| proficl@ss 6.0 | EAB696c019 |

*technical change and errors excepted*

