

Product information

92 21 04

Mini Precision Tweezers



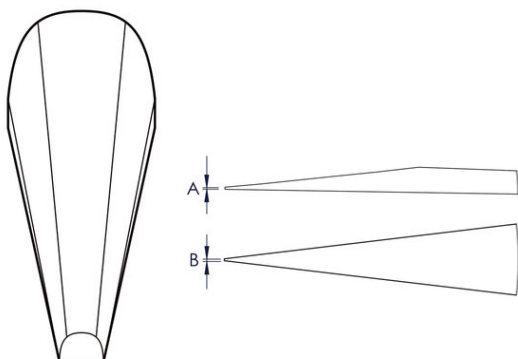
- For particularly demanding precision work: tough and highly resistant to corrosion
- Handcrafted: polished edges and an excellent matt, scratch-free and non-reflective surface
- For the electronics industry, watchmakers, jewellers, laboratories with biological and medical applications in moderately aggressive chemical environments
- High-quality premium stainless steel: high temperature resistance and excellent corrosion resistance to most chemicals, salts and acids
- Extra short and lightweight tweezers with narrow tips
- Ideal for working in confined spaces, under the microscope and for precision close work.
- Ideal for sample handling, microscopy preparation, sorting, precision manufacturing, electronic assembly, rework and repair
- Premium stainless steel

General

Article No.	92 21 04
EAN	4003773087526
Material	premium stainless steel
Gripping surfaces	smooth gripping surfaces
Weight	9 g
Dimensions	90 x 8 x 10 mm
Reach	no
RohS	no

Technical details

Tips width (A)	0.09 mm
Tips width (B)	0.15 mm
Corrosion-resistant	yes
	no
VDE tested	no
sectors	Industry electronics



Classification

eCl@ss 5.1.4	21040500
ETIM 5.0	EC000182
ETIM 6.0	EC000182
proficl@ss 6.0	EAB696c019

technical change and errors excepted