

# INTERCHANGEABLE WALL PLUG POWER SUPPLY 6VDC 6WATT

## POWERPAX: SW4454-D-A



### Features:

- Interchangeable AC Heads
- 1 Year Warranty
- Level VI Efficiency
- Worldwide Approvals

### Description:

Our range of 6 Watt Interchangeable wall plug power supplies provide 6 watts of continuous power with the flexibility of worldwide usage as they are supplied with UK, Euro, USA & Auz AC Heads , all Efficiency Level VI and carry worldwide safety approvals.

Specification	
Part Code	SW4454-D-A
Input Voltage Range	90-264 Vac
Input Frequency Range	47-63Hz
Input Current Rated	0.3A Max
Input AC Heads	UK, Euro, USA & Auz
Output Voltage Rating	+5.9V
Output Current Range	1A
Inrush Current	40A Max. @ 264Vac input
Output Connection Type	2.1x5.5x12mm centre positive – Straight
Line Regulation	+/- 1%
Load Regulation	+/- 5%
Ripple & Noise	200mVp-p
Efficiency	74.88%min
Over Current Protection	>1.2A(100-240Vac)
Short-Circuit Protection	Self-recovery
Operating Temperature	0°C to +40°C
Storage Temperature	-20°C to +80°C
Operating Humidity	10% to 90%
Storage Humidity	5% to 95%
Hi-Pot	3000VAC 10mA 1min
Leakage Current	0.25mA max
Safety Standard	GS/CE, UL, SAA
EMI Standard	EN55022 EN61000-3-2 FCC Part15 Class B SAA-140334-EA
MTBF	50K Hours
Size mm max.	40.9 (L) x 43.55 (W) x 28.6 (H)

### General Note

TT Electronics reserves the right to make changes in product specification without notice or liability. All information is subject to TT Electronics' own data and is considered accurate at time of going to print.

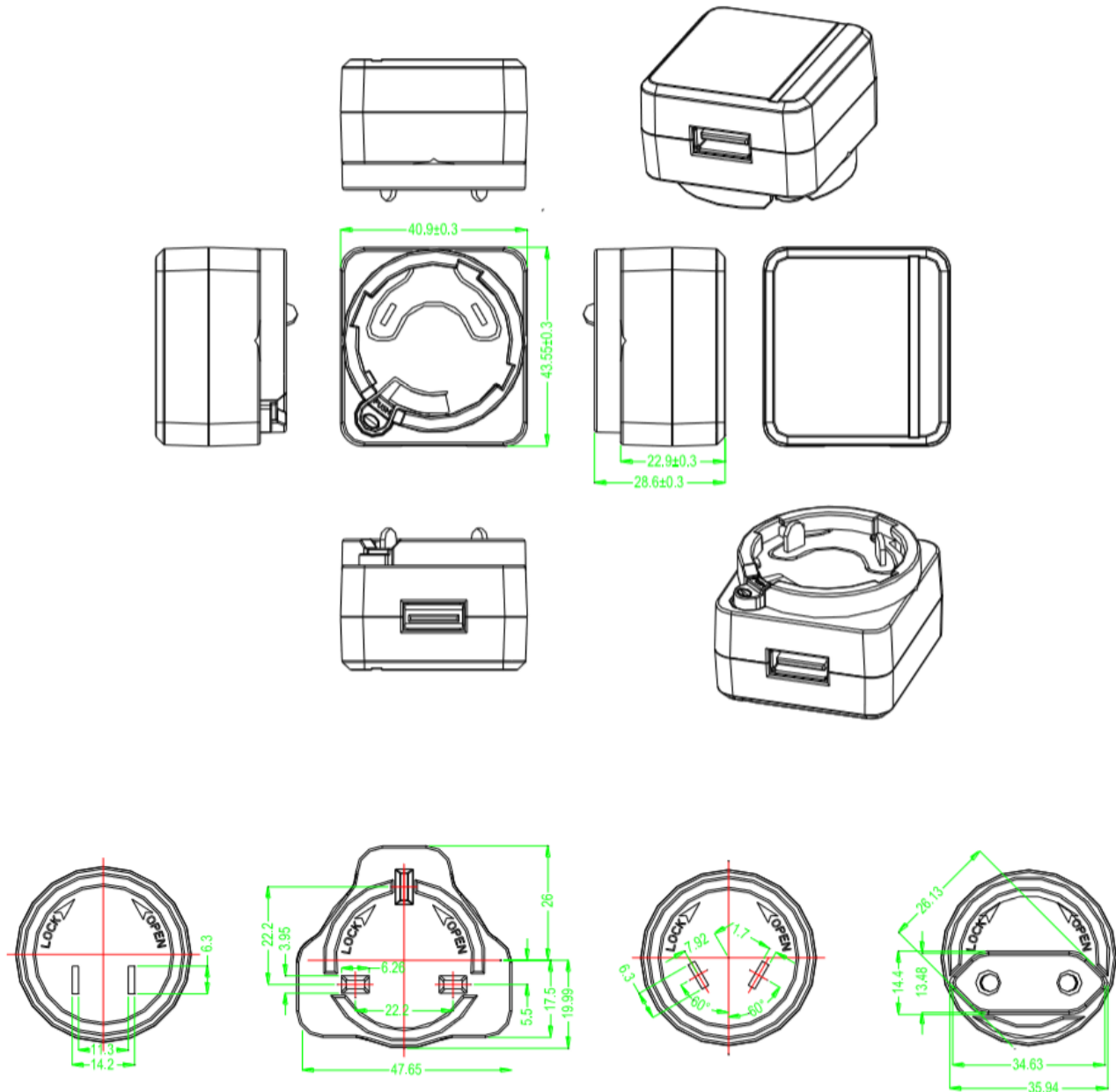
### POWERPAX

TT Electronics IoT Solutions Ltd  
Tofts Farm East, Brenda Road, Hartlepool, TS25 2BQ, UK  
t: +44 (0) 1429 852 500

# INTERCHANGEABLE WALL PLUG POWER SUPPLY 6VDC 6WATT

POWERPAX: SW4454-D-A

## Diagrams



### General Note

TT Electronics reserves the right to make changes in product specification without notice or liability. All information is subject to TT Electronics' own data and is considered accurate at time of going to print.

## POWERPAX

TT Electronics IoT Solutions Ltd  
Tofts Farm East, Brenda Road, Hartlepool, TS25 2BQ, UK  
t: +44 (0) 1429 852 500