

Power supply unit - TRIO-PS-IP67/1AC/24DC/20



1039830

<https://www.phoenixcontact.com/in/products/1039830>

Please be informed that the data shown in this PDF document is generated from our Online Catalog. Please find the complete data in the user documentation. Our General Terms of Use for Downloads are valid.



TRIO POWER primary-switched power supply in IP67 die-cast housing, input: 1-phase, output: 24 V DC / 20 A

Your advantages

- Direct installation at the load in the field reduces cable lengths and saves space in the control cabinet
- The robust design (die-cast aluminum housing) ensures high system availability, thanks to resistance to extreme environmental conditions (temperature, dust, and water)
- Reliable startup of high loads, thanks to the dynamic boost
- High efficiency of > 93%, thanks to low power losses

Power supply unit - TRIO-PS-IP67/1AC/24DC/20



1039830

<https://www.phoenixcontact.com/in/products/1039830>

Commercial Data

Item number	1039830
Packing unit	1 pc
Minimum order quantity	1 pc
Sales Key	CMP
Product Key	CMPF13
Catalog Page	Page 264 (C-4-2019)
GTIN	4055626598703
Weight per Piece (including packing)	4,100 g
Weight per Piece (excluding packing)	4,100 g
Customs tariff number	85044030
Country of origin	CN

Power supply unit - TRIO-PS-IP67/1AC/24DC/20



1039830

<https://www.phoenixcontact.com/in/products/1039830>

Technical Data

Input data

AC operation

Network type	Star network
Nominal input voltage range	100 V AC ... 240 V AC
Input voltage range	100 V AC ... 240 V AC $\pm 10\%$
Electric strength, max.	≤ 300 V AC 15 s
Typical national grid voltage	120 V AC 230 V AC
Voltage type of supply voltage	AC/DC
Inrush current	typ. 20 A (at 25 °C)
Inrush current integral (I^2t)	< 0.9 A ² s
Inrush current limitation	≤ 20 A (at 25 °C)
AC frequency range	50 Hz ... 60 Hz
Mains buffering time	typ. 10 ms (120 V AC) typ. 15 ms (230 V AC)
Current consumption	5.6 A (100 V AC) 2.4 A (240 V AC)
Nominal power consumption	36.8 W
Protective circuit	Transient surge protection; Varistor
Typical response time	< 1 s
Input fuse	10 A (internal (device protection))
Recommended breaker for input protection	10 A ... 16 A (Characteristics B, C, D, K)
Discharge current to PE	< 3.5 mA

DC operation

Nominal input voltage range	110 V DC ... 250 V DC
Input voltage range	110 V DC ... 250 V DC $\pm 10\%$
Switch-on voltage	≥ 95 V DC
Shut-down voltage	< 95 V DC
Voltage type of supply voltage	AC/DC
Mains buffering time	> 15 ms (230 V AC)
Current consumption	4.9 A (110 V DC) 2.1 A (250 V DC)

Output data

Efficiency	91 % (100 V AC) 93 % (230 V AC)
Nominal output voltage	24 V DC $\pm 1\%$
Nominal output current (I_N)	20 A
Dynamic Boost ($I_{Dyn.Boost}$)	30 A (5 s)
Derating	> 60 °C ... 70 °C (2.5%/K)

Power supply unit - TRIO-PS-IP67/1AC/24DC/20



1039830

<https://www.phoenixcontact.com/in/products/1039830>

Protection against overvoltage at the output (OVP)	≤ 30 V DC
Control deviation	< 1 % (change in load, static 10 % ... 90 %)
	< 3 % (Dynamic load change 10 % ... 90 %, 10 Hz)
	< 0.1 % (change in input voltage ±10 %)
Residual ripple	≤ 30 mV _{PP}
Short-circuit-proof	yes
No-load proof	yes
Output power	480 W
	720 W
Maximum no-load power dissipation	< 3 W (120 V AC)
	< 2.5 W (230 V AC)
Power loss nominal load max.	< 48 W (120 V AC)
	< 36 W (230 V AC)
Rise time	≤ 30 ms (U _{OUT} (10 % ... 90 %))

Signal: DC OK

Maximum switching voltage	30 V AC/DC
Continuous load current	100 mA

Signal relay 13/14

Default	closed
Digital	30 V AC 30 V DC 100 mA

Connection data

Input

Connection method	Circular connector
Coding	S-coded
Type of locking	M12 screw locking
Number of positions	3

Output

Connection method	Circular connector
Coding	N-coded
Type of locking	M17 standard and SPEEDCON locking
Number of positions	4

Signal

Connection method	Circular connector
Coding	A-coded
Type of locking	SPEEDCON M12
Number of positions	5

LED signaling

Types of signaling	LED
	Floating signal contact

Power supply unit - TRIO-PS-IP67/1AC/24DC/20



1039830

<https://www.phoenixcontact.com/in/products/1039830>

Signal output: LED status indicator

Signalization designation	DC OK
Status display	LED
Color	green

Electrical properties

Number of phases	1.00
Insulation voltage input/output	4 kV AC (type test)
	1.5 kV AC (routine test)

Product properties

Product type	Power supply
MTBF (IEC 61709, SN 29500)	> 1400000 h (25 °C)
	> 800000 h (40 °C)
	> 400000 h (60 °C)

Insulation characteristics

Protection class	I
Degree of pollution	4

Dimensions

Width	151 mm
Height	304 mm
Depth	120 mm

Installation dimensions

Installation distance right/left	20 mm / 20 mm
Installation distance top/bottom	50 mm / 100 mm

Mounting

Mounting type	Wall mounting
Assembly instructions	Alignable: 20 mm horizontally, 50 mm vertically above, 100 mm vertically below
With protective coating	No

Material specifications

Inflammability class in acc. with UL 94 (housing / terminal blocks)	V0
Housing material	Metal
Type of housing	Aluminum (AlMg3)

Environmental and real-life conditions

Ambient conditions

Degree of protection	IP67
Ambient temperature (operation)	-25 °C ... 85 °C (Derating >60°C: 2.5 %/K)
Ambient temperature (storage/transport)	-40 °C ... 85 °C

Power supply unit - TRIO-PS-IP67/1AC/24DC/20



1039830

<https://www.phoenixcontact.com/in/products/1039830>

Ambient temperature (start-up type tested)	-40 °C
Maximum altitude	≤ 4000 m (> 2000 m, Derating: 10 %/1000 m)
Climatic class	3K3 (in acc. with EN 60721)
Max. permissible relative humidity (operation)	≤ 95 % (at 25 °C, non-condensing)
Shock	18 ms, 30g, in each space direction (according to IEC 60068-2-27)
Vibration (operation)	In each space direction (in acc. with EN 60068-2-6) 10 Hz - 19.9 Hz, ±2.5 mm amplitude, 19.9 Hz - 150 Hz, 4g acceleration

Standards and regulations

Standard – Limitation of mains harmonic currents	EN 61000-3-2
Standard - Electrical safety	IEC 61010-2-201 (SELV)
Standard – Safety extra-low voltage	EN 60204-1 (PELV)
Standard - Safe isolation	DIN VDE 0100-410

Overvoltage category

EN 61010-1	III (≤ 2000 m)
	II (≤ 4000 m)

Approval data

Conformity/Approvals

SIL in accordance with IEC 61508	0
----------------------------------	---

EMC data

Low Voltage Directive	Conformance with Low Voltage Directive 2014/35/EC
Electromagnetic compatibility	Conformance with EMC Directive 2014/30/EU
Conducted noise emission	EN 55016 EN 61000-6-3 (Class B)
Interference emission	Noise emission according to EN 61000-6-3 (residential and commercial) and EN 61000-6-4 (industrial)
Noise emission	EN 55011 (EN 55022)
Noise emission	EN 55016 EN 61000-6-3 (Class B)
Noise immunity	Immunity according to EN 61000-6-1 (residential), EN 61000-6-2 (industrial)

Harmonic currents

Frequency range	Class A
-----------------	---------

Flicker

Standards/regulations	EN 61000-3-3
Frequency range	0 kHz ... 2 kHz

Electrostatic discharge

Standards/regulations	EN 61000-4-2
-----------------------	--------------

Electrostatic discharge

Power supply unit - TRIO-PS-IP67/1AC/24DC/20



1039830

<https://www.phoenixcontact.com/in/products/1039830>

Contact discharge	6 kV (Test Level 4)
Discharge in air	8 kV (Test Level 4)
Comments	Criterion A

Electromagnetic HF field

Standards/regulations	EN 61000-4-3
-----------------------	--------------

Electromagnetic HF field

Frequency range	80 MHz ... 1 GHz
Test field strength	10 V/m (Test Level 3)
Frequency range	1 GHz ... 2 GHz
Test field strength	10 V/m (Test Level 3)
Frequency range	2 GHz ... 3 GHz
Test field strength	10 V/m (Test Level 3)
Comments	Criterion A

Fast transients (burst)

Standards/regulations	EN 61000-4-4
-----------------------	--------------

Fast transients (burst)

Input	4 kV (Test Level 4 - asymmetrical)
Output	2 kV (Test Level 3 - asymmetrical)
Signal	2 kV (Test Level 2 - asymmetrical)
Comments	Criterion A

Surge voltage load (surge)

Standards/regulations	EN 61000-4-5
Input	3 kV (Test Level 3 - symmetrical) 4 kV (Test Level 4 - asymmetrical)
Output	1 kV (Test Level 2 - symmetrical) 2 kV (Test Level 1 - asymmetrical)
Signal	1 kV (Test Level 2 - asymmetrical)
Comments	Criterion B

Conducted interference

Standards/regulations	EN 61000-4-6
-----------------------	--------------

Conducted interference

Input/Output	asymmetrical
Frequency range	0.15 MHz ... 80 MHz
Comments	Criterion A
Voltage	10 V (Test Level 3)

Voltage dips

Standards/regulations	EN 61000-4-11
Voltage	230 V AC
Frequency	50 Hz
Voltage dip	70 %

Power supply unit - TRIO-PS-IP67/1AC/24DC/20



1039830

<https://www.phoenixcontact.com/in/products/1039830>

Number of periods	25 periods
Additional text	Test Level 2
Comments	Criterion A
Voltage dip	40 %
Number of periods	10 periods
Additional text	Test Level 2
Comments	Criterion B
Voltage dip	0 %
Number of periods	1 period
Additional text	Test Level 2
Comments	Criterion B

Emitted interference

Standards/regulations	EN 61000-6-3
Radio interference voltage in acc. with EN 55011	EN 55011 (EN 55022) Class B, area of application: Industry and residential
Emitted radio interference in acc. with EN 55011	EN 55011 (EN 55022) Class B, area of application: Industry and residential
Criterion A	Normal operating behavior within the specified limits.
Criterion B	Temporary impairment to operational behavior that is corrected by the device itself.
Criterion C	Temporary adverse effects on the operating behavior, which the device corrects automatically or which can be restored by actuating the operating elements.

Power supply unit - TRIO-PS-IP67/1AC/24DC/20

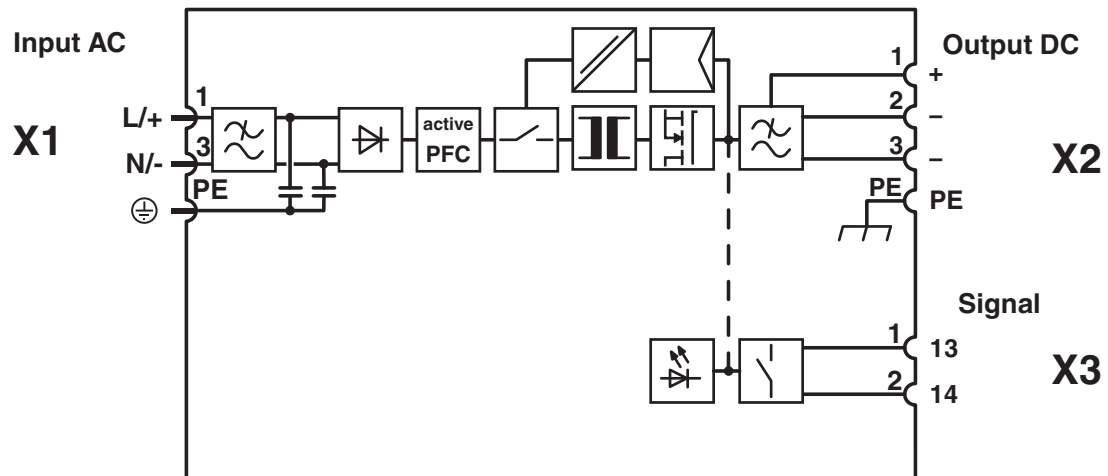


1039830

<https://www.phoenixcontact.com/in/products/1039830>

Drawings

Block diagram



Power supply unit - TRIO-PS-IP67/1AC/24DC/20



1039830

<https://www.phoenixcontact.com/in/products/1039830>

Approvals



CSA

Approval ID: 70175690



CSAus

Approval ID: 70175690



cCSAus



EAC

Approval ID: RU S-DE.BL08.W.00764



CSA

Approval ID: 70175690



EAC

Approval ID: RU S-DE.BL08.W.00764



CSAus

Approval ID: 70175690



cCSAus

Power supply unit - TRIO-PS-IP67/1AC/24DC/20



1039830

<https://www.phoenixcontact.com/in/products/1039830>

Classifications

ECLASS

ECLASS-9.0	27040701
ECLASS-10.0.1	27040701
ECLASS-11.0	27040701

ETIM

ETIM 8.0	EC002540
----------	----------

UNSPSC

UNSPSC 21.0	
-------------	--

Power supply unit - TRIO-PS-IP67/1AC/24DC/20



1039830

<https://www.phoenixcontact.com/in/products/1039830>

Environmental Product Compliance

REACH SVHC	Lead 7439-92-1
China RoHS	Environmentally Friendly Use Period = 25;
	For information on hazardous substances, refer to the manufacturer's declaration available under "Downloads"

Power supply unit - TRIO-PS-IP67/1AC/24DC/20



1039830

<https://www.phoenixcontact.com/in/products/1039830>

Accessories

Connector

Connector - SACC-FS-5SC M SCO - 1432583

<https://www.phoenixcontact.com/in/products/1432583>



Connector, 5-position, Socket straight M12 SPEEDCON, Coding: A, Spring-cage connection, knurl material: Zinc die-cast, nickel-plated, external cable diameter 4 mm ... 8 mm

Cable connector

Cable connector - ST-3EP1N8A8005 - 1624534

<https://www.phoenixcontact.com/in/products/1624534>



Cable connector, straight, Screw locking, M17, number of positions: 3+PE, type of contact: Pin, shielded: yes, degree of protection: IP67, cable diameter range: 10 mm ... 12.5 mm, number of positions: 4, connection method: Crimp connection, series: ST

Power supply unit - TRIO-PS-IP67/1AC/24DC/20



1039830

<https://www.phoenixcontact.com/in/products/1039830>

Power connector

Power connector - SACC-M12FSS-2PECON-PG 9-M - 1419640

<https://www.phoenixcontact.com/in/products/1419640>



Power connector, 3-position, unshielded, Socket straight M12, Coding: S, Screw connection, knurl material: Zinc die-cast, nickel-plated, cable gland Pg9, external cable diameter 6 mm ... 8 mm, for alternating current up to 16 A/630 V

Phoenix Contact 2022 © - all rights reserved

<https://www.phoenixcontact.com>

PHOENIX CONTACT (I) Pvt. Ltd.

A-58/2, Okhla Industrial Area, Phase - II, New Delhi-110 020

+91.1275.71420

info@phoenixcontact.co.in